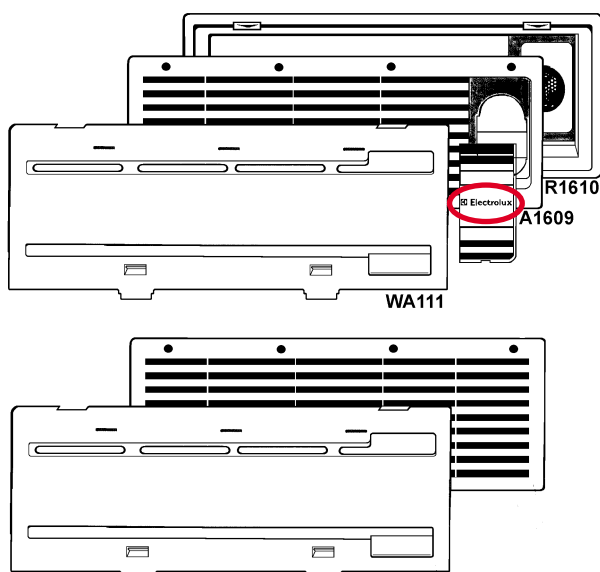


Dometic GmbH, In der Steinwiese 16, D-57074 Siegen

Differentiation of the ventilation systems

A1609



Characteristics:

- The logo "Electrolux" is on the boss for exhaust device.
- The air vent grill is **visible** fixed (8 screws).
- The ventilation system was built up to 1993.

Cutout Dimensions for R1610:

485mm x 185mm

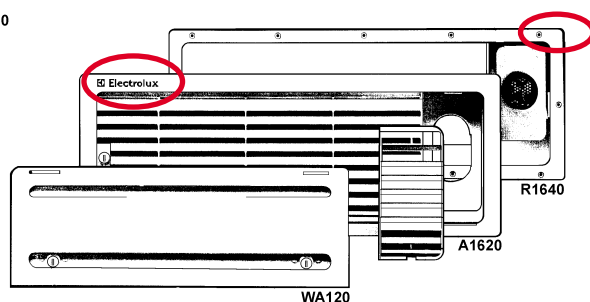
△ Attention

- The ventilation system is available in the colour beige only.
- The ventilation system can only be changed into a newer one, if the frame (R1610) was not used (Because if the frame was used, the cutout dimensions are to large.)

For the spare parts, please have a look to the model A1609

L100/L200 (manufacture up to septembre 2002)

L100

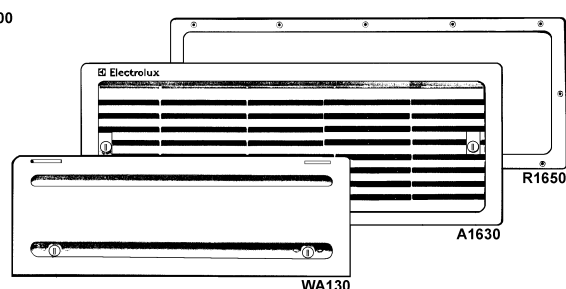


Characteristics:

- The corners of the ventilation system have a **small** (R=5mm) radius.
- The logo "Electrolux" is on the frame.
- The frame R1640/1650 is **secret** fixed (12 screws).

Cutout Dimensions: 451mm x 156mm

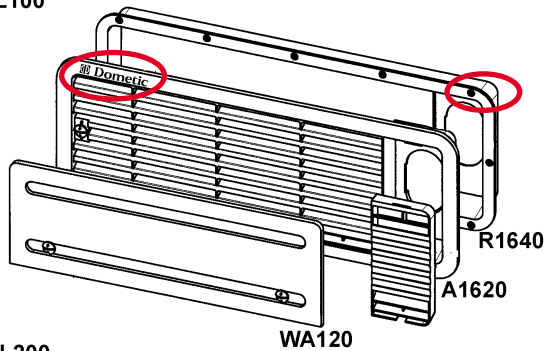
L200



For the spare parts, please have a look to the model L100/L200

L100/L200 (manufacture since Octobre 2002)

L100

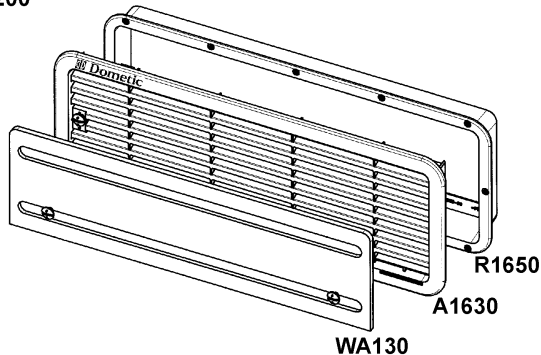


Characteristics:

- The corners of the ventilation system have a **big** (R=28mm) radius.
- The logo "Dometic" is on the frame.
- The frame R1640/1650 is **secret** fixed (12 screws).

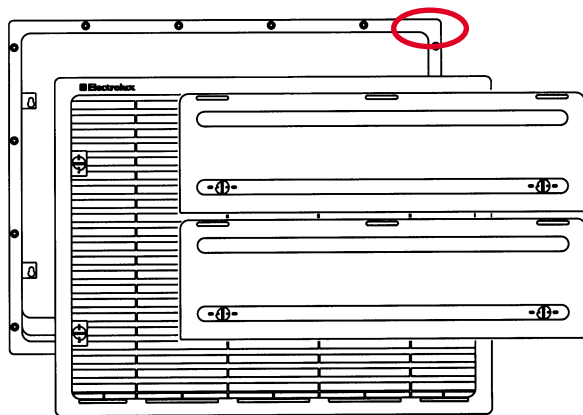
Cutout Dimensions: 451mm x 156mm

L200



For the spare parts, please have a look to the model L100/L200

L500 (Ventilation system for refrigerators >103L)



Characteristics:

- The logo "Dometic" is on the frame.
- The frame is secret fixed (16 screws).
- The corners of the ventilation system have a **small** (R=5mm) radius.

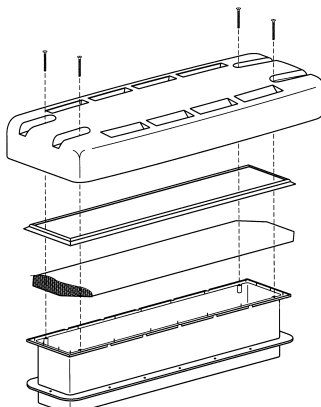
Cutout Dimensions: 451mm x 341mm



Winter cover have a look at L200 (2 pieces)

For the spare parts, please have a look to the model L500

R500 (Roof ventilation system)



Characteristics:

Cutout Dimensions: 87mm x 507mm

For the spare parts, please have a look to the model R500