

SERVICE BULLETIN

Reg. No.: 445/97

ELECTROLUX SIEGEN GmbH, In der Steinwiese 16, D-57074 Siegen

Push-in nut

From now on the new push-in nuts with the spare part number **292 6545-20/9** will be used for the fixing of the cooling unit. If you take a cooling unit from your stock, please proof if the push-in nuts are fixed, because for a little time the cooling units were built without the push-in nuts.

The old push-in nuts with the spare part number **292 6545-10/0** will be used for the capping of the tight built-in of our refrigerators.

Please stock up the push-in nuts and take the nuts in service-fall!

Thank you for your cooperation.

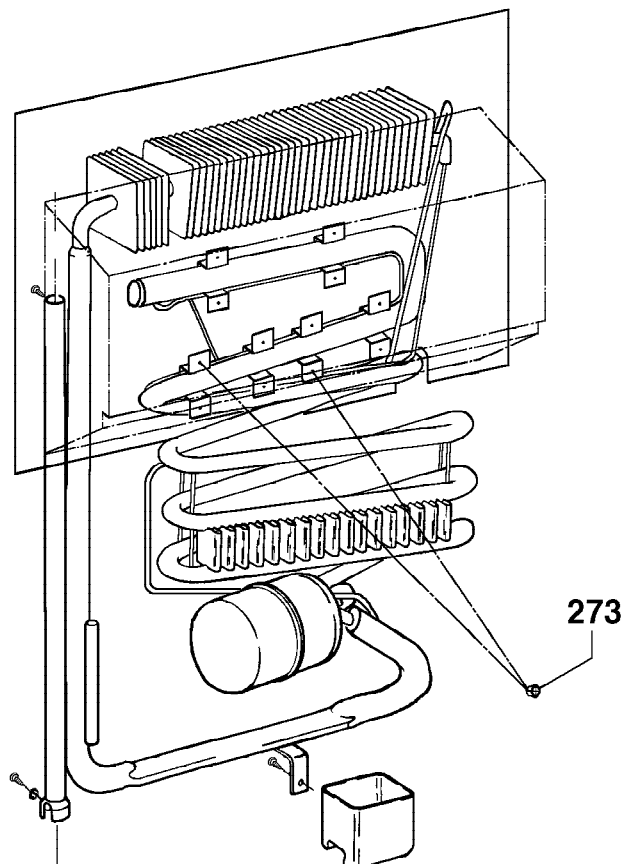


Fig. 1