

SERVICE BULLETIN
Porcia Factory, ITALY

WELDED WASHING GROUP

In the new washing machines with HEC ICON cabinet produced in the Porcia factory (Italy), it is possible to mount (independently from the production date) also a:

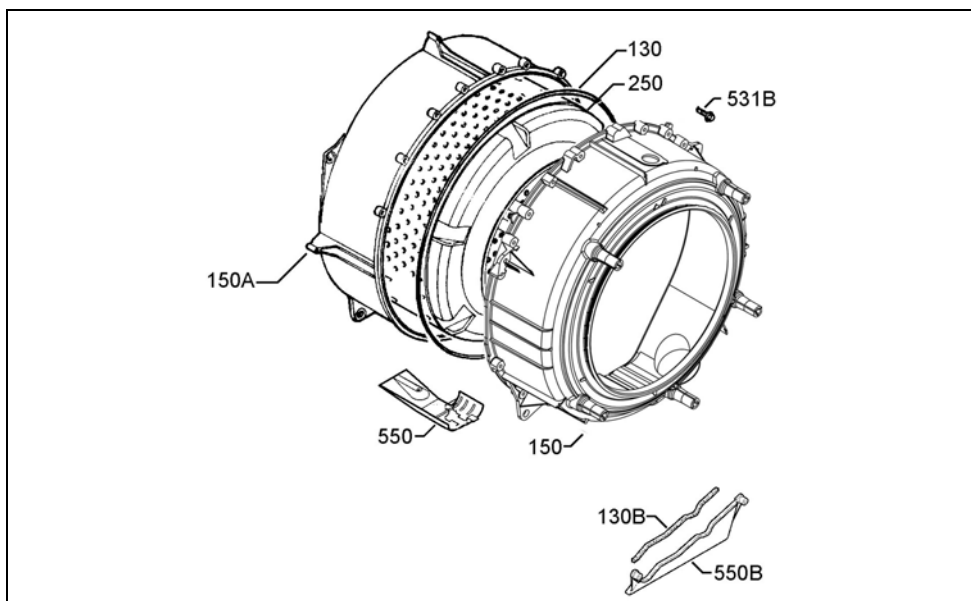
WASHING GROUP WITH WELDED SHELLS

(No more screws between the two shells and removal of the gasket).

SPARE PARTS

Currently, the welded washing group is not supplied as spare part, therefore it is necessary to order the single components:

- ↗ The quantity of the single pieces is listed in the table under the figure.
- ↗ For the relative part nos., please refer to the spare part list of the appliance.



Pos.	Quantity	Description
130	Pc. 1	Gasket, shell, tub
130B*	Pc. 1	Gasket, protection, main motor
150	Pc. 1	Shell, front
150A	Pc. 1	Assembly, shell, rear
250	Pc. 1	Assembly, drum
531B	Pcs. 17	Screw, shell, tub
550	Pc. 1	Assembly, protection, tub, NEAT
550B*	Pc. 1	Protection, main motor

* if featured