

cd001682

© ELECTROLUX HOME PRODUCTS S.p.A.
Spares Operations Italy
Corso Lino Zanussi, 30
I - 33080 PORCIA / PN (ITALY)

Fax +39 0434 394096

Publication no.
599 38 27-54
060919
ITZ/SERVICE/AA

**WATER
DISTRIBUTOR
with BRITA filter
cartridge**

FACTORY: HUY

CONTENTS

1. INTRODUCTION	5
2. COMPONENTS	6
2.1. MEMO Electronic indicator for BRITA filter replacement.....	7
2.2. BRITA Filter cartridge	9
3. ACCESSIBILITY	10
4. TROUBLESHOOTING	11

1. INTRODUCTION

This manual describes the water distributor with BRITA filter cartridge.

The water distributor is fitted to the cooler door and allows the output of the deputed fresh water.

The water distributor does not feature electrical components because the water output occurs by fall.

The water distributor is provided with a BRITA filter cartridge which allows the elimination of impurity from the water (for further information please see the user manual of the specific appliance).

The BRITA filter has a duration of approximately one month, therefore in the water distributor there is MEMO, an electronic indicator which signals the necessity to replace the BRITA filter (the electronic indicator is included in the spare part filter kit).

The water distributor is installed on the door in replacement of the bottle shelf, while the remaining shelves are mounted normally.

The BRITA filter varies on the basis of the plain water specifications different for each country; therefore it is necessary to use the appropriate part no.

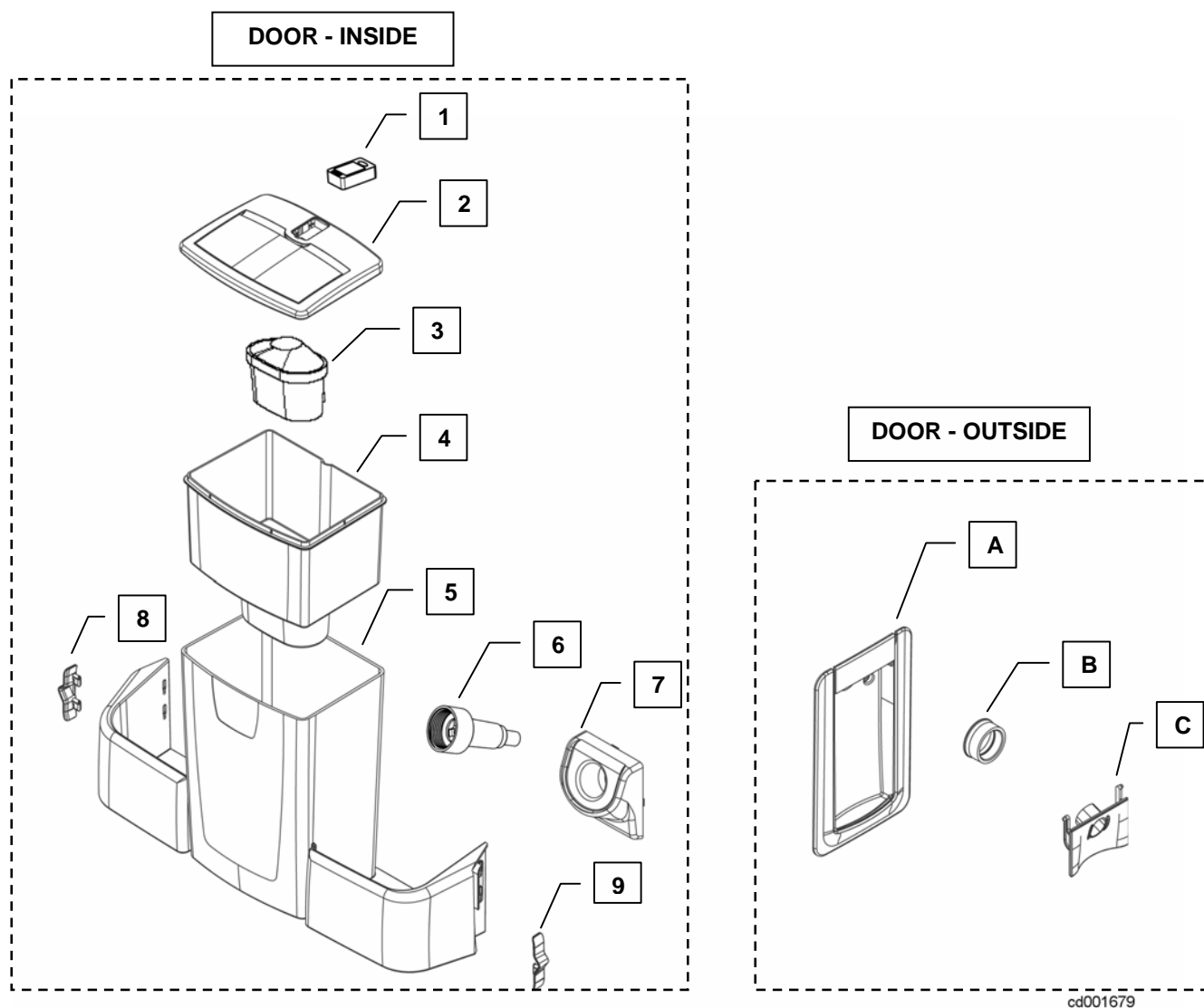
Note: For further information, please refer to the specific user manual.



WARNINGS:

- Use only plain water not mineral!
- If the water distributor is not used for long, it is recommended to empty the water container thoroughly!
- If all the filtered water in the container is not used within 2 days, empty the water container thoroughly!

2. COMPONENTS



cd001679

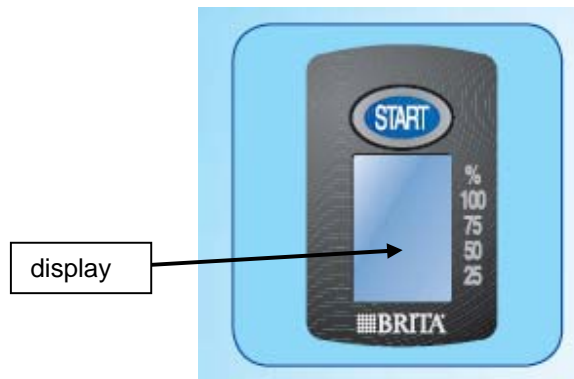
Key to internal components of the door:

1. MEMO electronic container of BRITA filter replacement
2. water container cover
3. BRITA filter cartridge
4. internal water container
5. water container
6. valve
7. internal carter
8. left water container lock
9. right water container lock

Key to external components of the door:

- A. distributor
- B. valve gasket
- C. distributor lever

2.1. MEMO Electronic indicator for BRITA filter replacement



Important: the MEMO indicator is designed to be used only with BRITA filters.

The MEMO electronic indicator is positioned on the cover of the water container.

To activate the indicator push and hold down the START button till the display shows 4 bars which flash twice.

A flashing point positioned in the right bottom corner of the display indicates that the indicator is on:



To obtain excellent performances it is recommended to replace the filter every 4 weeks.

The MEMO electronic indicator reminds the user automatically to replace the filter cartridge; in fact, one of the bars disappears every week so as to show the remaining life time of the filter:



After 4 weeks the bars disappear and the display shows one flashing arrow to indicate that the filter should be replaced:



After replacing one filter cartridge, to make the 4 bars to appear again, it is necessary to reset the MEMO indicator holding down the START button till the bars and the flashing point appear.

The MEMO indicator lasts about 5 years. Anyway every spare filter packing contains a MEMO indicator (to be activated).

To remove the MEMO indicator insert a screwdriver in the higher slot as indicated in figure:



2.2. BRITA Filter cartridge



The BRITA filters vary according to the plain water specifications; therefore it is necessary to use the appropriate spare part no.

The identification code is not written in the spare filter packing, but it is possible to identify it checking the sequence of the translated text according to the following table:



TEXT CHECK

SPARE PART NO.	BRITA SUPPLIER CODE	COUNTRIES	TEXT CHECK
2425396013	200907	ITALY; SPAIN; GERMANY; PORTUGAL; HOLLAND; POLAND; SWITZERLAND; GREECE; IRLAND; CROATIA; BELGIUM; GREAT BREITAIN; FRANCE.	DE; GB; FR; . . .
2425396021	201402	CECH REPUBLIC; AUSTRIA; HUNGARY; SLOVAKIA; SLOVENIA.	AT; CZ; HU; . . .
2425396039	201305	FINLAND; DENMARK; SWEDEN; NORWAY; RUSSIA; UKRAINE; ROMANIA; BULGARIA; LATVIA; LITHUANIA; ESTONIA.	AUS; . . .

3. ACCESSIBILITY

To access the water distributor positioned outside the door perform the following operations in sequence:



a) front view of the water distributor (door outside)



b) release the water distributor lever by means of a screwdriver



c) remove the 2 fixing screws of the water distributor



d) remove the water distributor lifting up and extracting it



e) remove the valve basket by means of a screwdriver



f) remove the internal protection housing by means of a screwdriver

4. TROUBLESHOOTING

In case of excessive frost formation inside the appliance or if the compressor operates almost constantly, check the presence and the correct assembling of the valve gasket **V**.

