

**SERVICE BULLETIN
PORCIA FATORY (ITALY)**

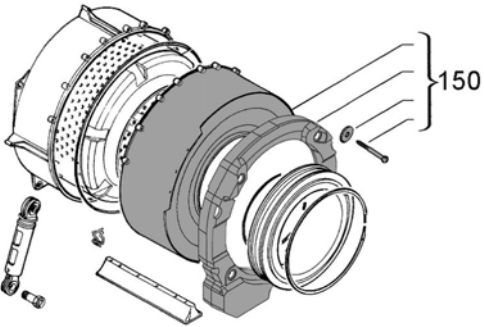
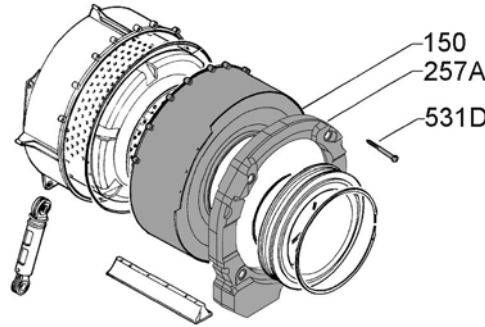
SHELL – FRONT COUNTERWEIGHT

The counterweight face fitted to the front shell was delivered up to now as spare part in a kit which consisted of:

- ↙ 1 counterweight;
- ↙ 1 front shell;
- ↙ fixing screws.

In the new spare part lists these components are no more identified by a Kit part no. but are represented by single part nos. and can be ordered individually.

In case of replacement of the counterweight it is absolutely necessary to replace also the front shell.

Old Service Notes			New Service Notes		
					
Pos.	Description	Part no.	Pos.	Description	Part no.
150	Counterweight-shell kit	See Spare part list Service Notes	150	Shell, front, tub	See Spare part list Service Notes
			257A	Counterweight, front	
			531D	Screw, counterweight	