

SERVICE BULLETIN

Porcia Factory, ITALY

This documents updates and replaces the previous one having same number.

WELDED WASHING GROUP

In the new washing machines with HEC and HEC-ARCHED cabinet produced in the Porcia factory (Italy), it is possible to mount (independently from the production date) also a:

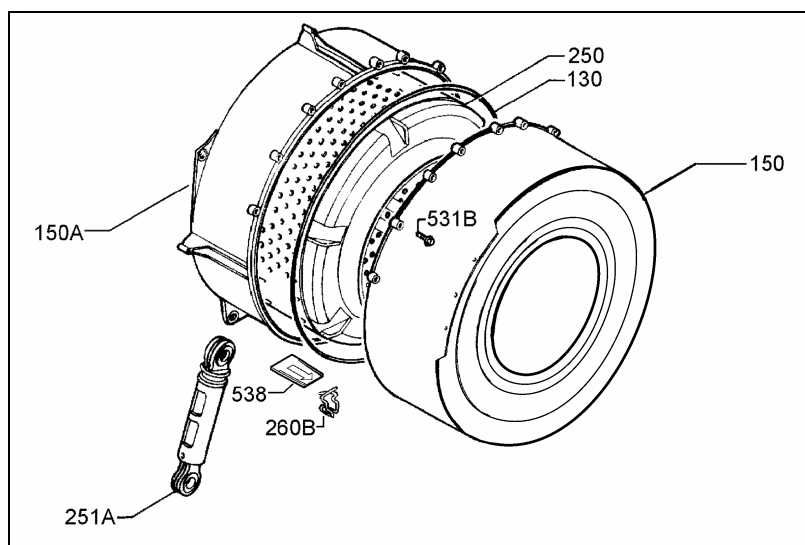
WASHING GROUP WITH WELDED SHELLS

(No more screws between the two shells, removal of the gasket and the cushions are shorter).

SPARE PARTS

In case of replacement, order the quantity of the components listed in the table under the figure.

For the relative spare part nos. please refer to the Service Notes of the appliance.



Pos.	Quantity	Description
130	Pc. 1	Gasket, shell, tub
150	Pc. 1	Shell, front
150A	Pc. 1	Assembly, shell, rear
250	Pc. 1	Assembly, drum
251A	Pc. 2	Cushion
260B	Pc. 1	Retaining spring, heater
531B	Pc. 17	Screw, shell, tub
538 *	Pc. 1	Distance piece, heater

* if featured