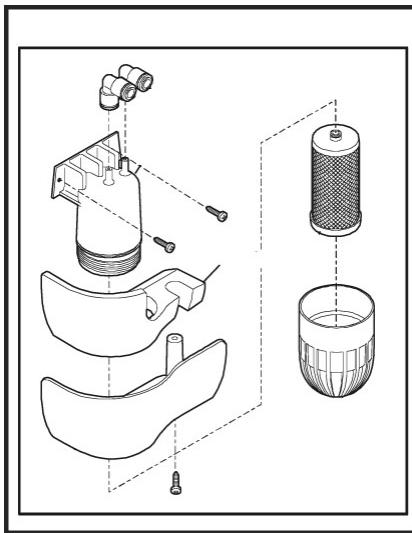


WATER FILTER CHANGE REMINDER ON SIDE BY SIDE MODELS

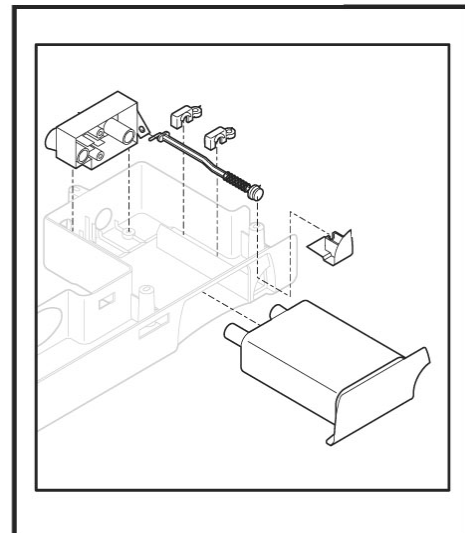
On Side by Side models with rear (cylinder-type) or front (drawer-type) water filter, a function is featured that warns the user to replace the water filter through the lighting up of the pilot lamp (filter state) located in the controls of the water and ice distributor (on the freezer door).

REAR WATER FILTER



cd001597

FRONT WATER FILTER



cd001596

The pilot lamp lights up after 6 months of continuous operation of the appliance (it is a counter).

After the replacement of the water filter, the pilot lamp remains lit because it must be reset manually and since there are various control versions, one of the following procedures must be followed:

- 1. Version of controls without FILTER RESET button:**
if the FILTER RESET button corresponding to the pilot lamp (filter state) is not featured, hold down simultaneously the LIGHT and KEY LOCK buttons till the pilot lamp (filter state) starts flashing. Release the buttons and the pilot lamp (filter state) switches off. The indicator is now reset.
- 2. Version of controls with FILTER RESET button:**
if the FILTER RESET button corresponding to the pilot lamp (filter state) is featured, hold down the FILTER RESET button till the pilot lamp (filter state) does not switch off. The indicator is now reset.