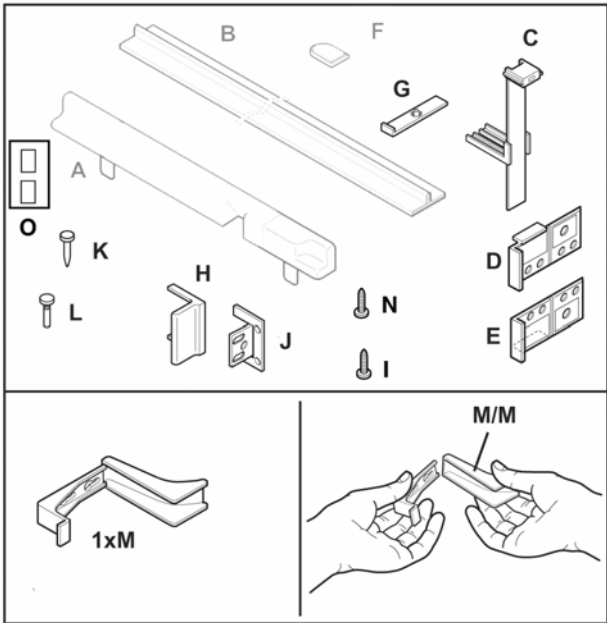


**COMPONENTS FOR THE INSTALLATION OF BUILT-IN MODELS
WITH "DOOR ON DOOR" SYSTEM**

The Built-In models have into the appliances a list of components in order to the right installation in the furniture and a system for integrating door mounting ("door on door" system).

The components have been inserted into a plastic bag but in case of lack of some or all those components, it is possible to order them separately.

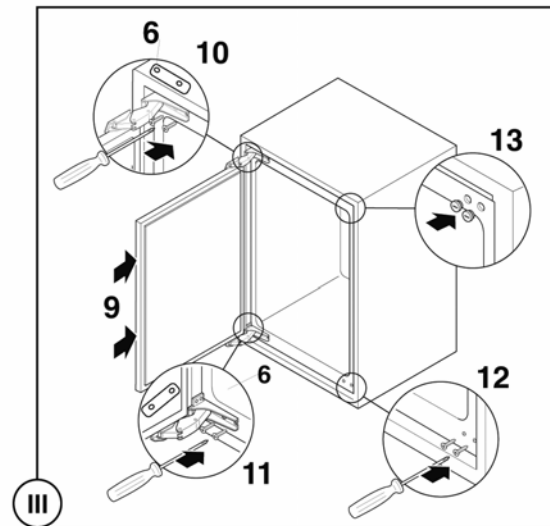
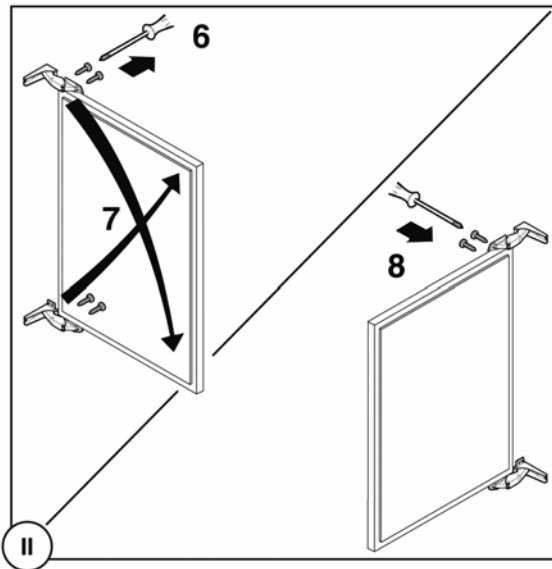
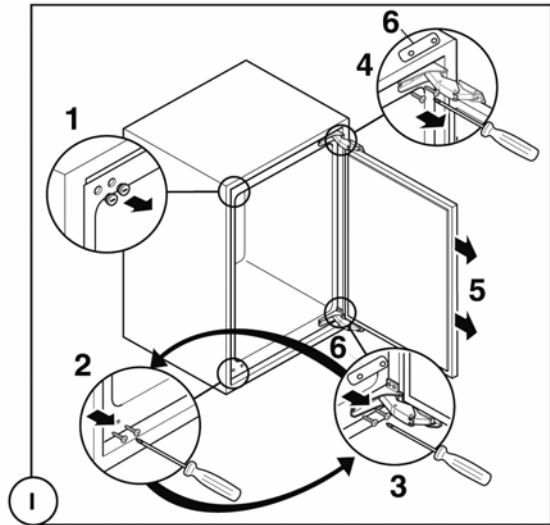
To find and order the single components of the installation referring to the following summary table (NOTE: the pictures illustrated are purely indicative and they can change in accordance with the model):

PICTURE	DESCRIPTION	SPARE PART NO.
 <p>cd001401</p> <p>NOTE: the components A, B and F are not included into the kits, therefore they have to be ordered separately.</p>	<p>INSTALLATION KIT 1P DOD (it is only valid for 1-door models)</p> <p>or</p> <p>INSTALLATION KIT 2P DOD (it is only valid for 2-door models)</p>	<p>See the specific spare part list for the model</p>

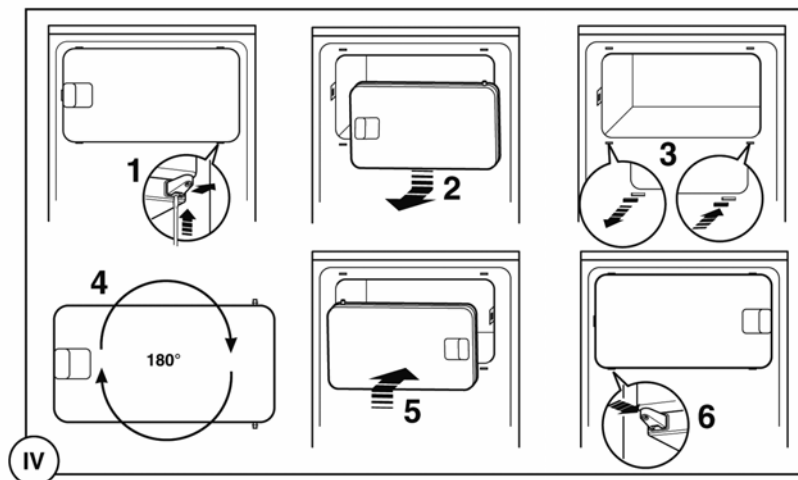
PICTURE	DESCRIPTION	SPARE PART NO.
<p>cd001399</p>	<p>A – SLEEVE COVER DOD</p>	<p>See the specific spare part list for the model (only for 2-door models order 2 pieces)</p>
<p>cd001403</p>	<p>B – LATERAL TRIMMING</p>	<p>See the specific spare part list for the model</p>
<p>cd001404</p>	<p>F – TRIMMING CAP</p>	<p>See the specific spare part list for the model (order 2 pieces)</p>
<p>D Einbauweisung GB Installation instructions NL Montage-aanwijzing F Instructions de montage I Istruzioni di montaggio E Instrucciones para el montaje P Instruções de montagem para o encaixe</p>	<p>INSTALLATION INSTRUCTIONS 1 DOOR MODELS</p>	<p>See appendix A of this Service Bulletin</p>
	<p>INSTALLATION INSTRUCTIONS 2 DOORS MODELS</p>	<p>See appendix B of this Service Bulletin</p>

APPENDIX A:

- D** Türanschlagwechsel (falls erforderlich)
- GB** Reversibility of door (if necessary)
- NL** Overzetten van het deurscharnier (indien nodig)
- F** Changement du côté d'ouverture de la porte (si nécessaire)
- I** Reversibilità della porta (se necessario)
- E** Reversibilidad de la puerta (si fuera necesario)
- P** Inversão do sentido de abertura da porta (se necessário)



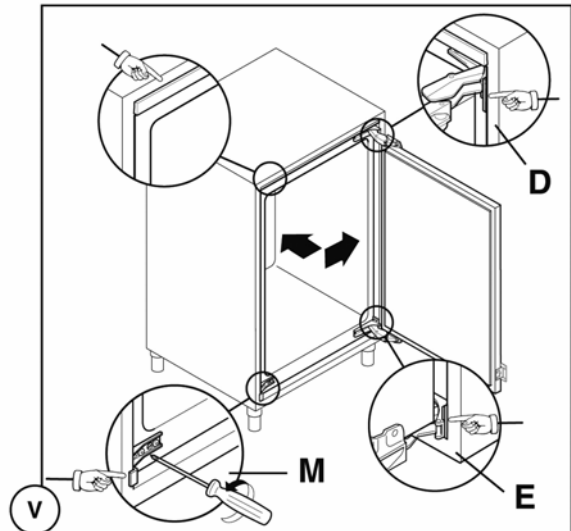
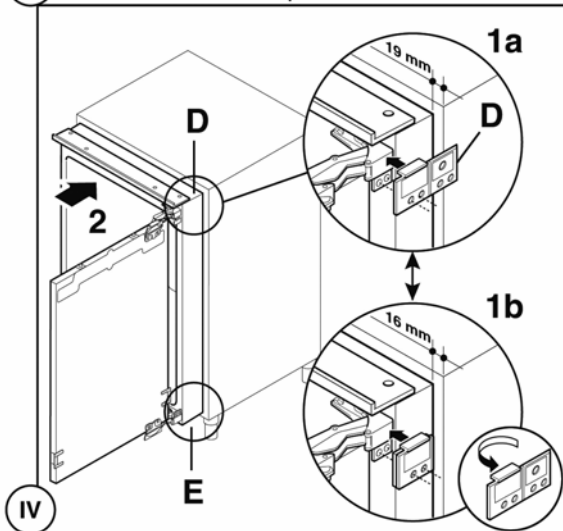
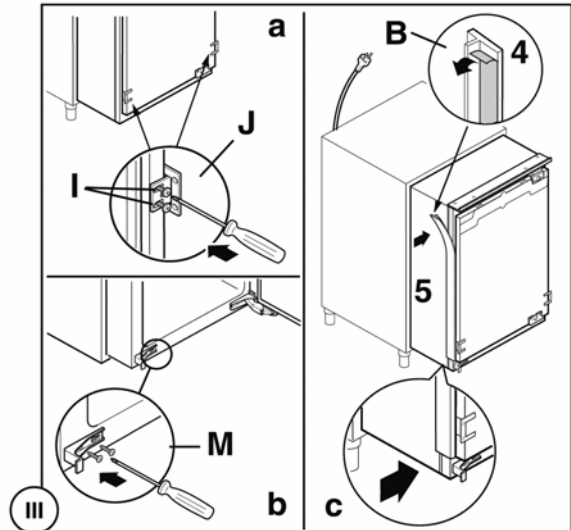
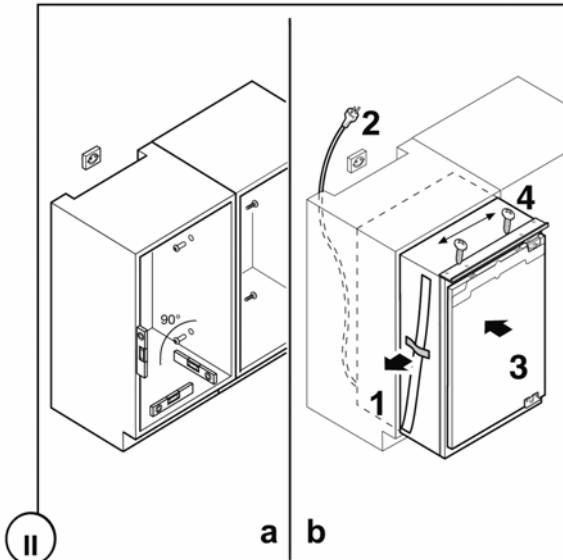
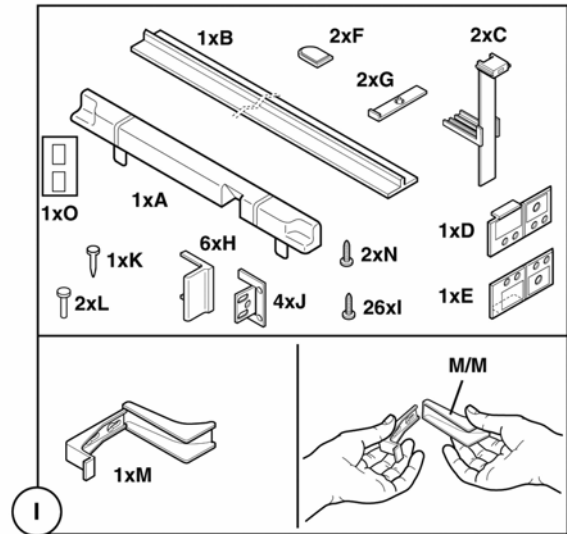
- D** Nicht bei allen Modellen
- GB** Not on all models
- NL** Niet bij alle modellen
- F** Pas pour tous les modèles
- I** Solo per alcuni modelli
- E** No en todos modelos
- P** Só para alguns modelos



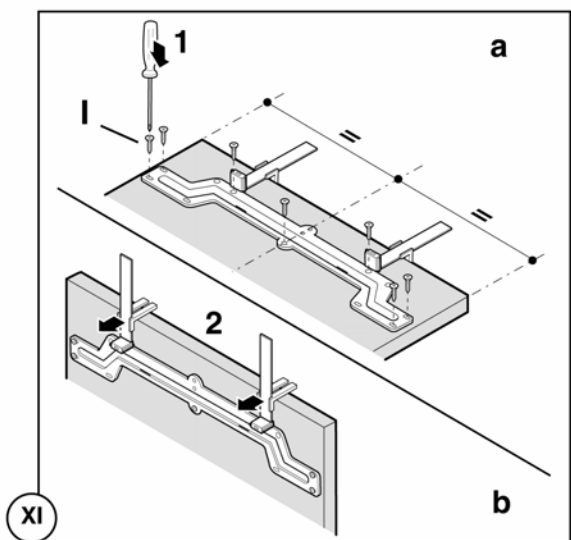
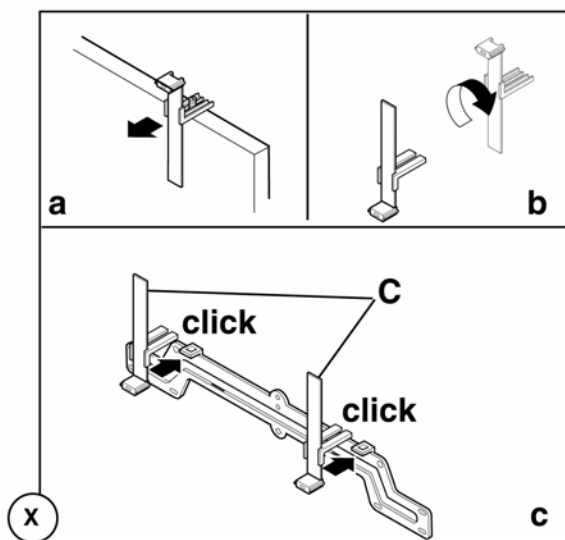
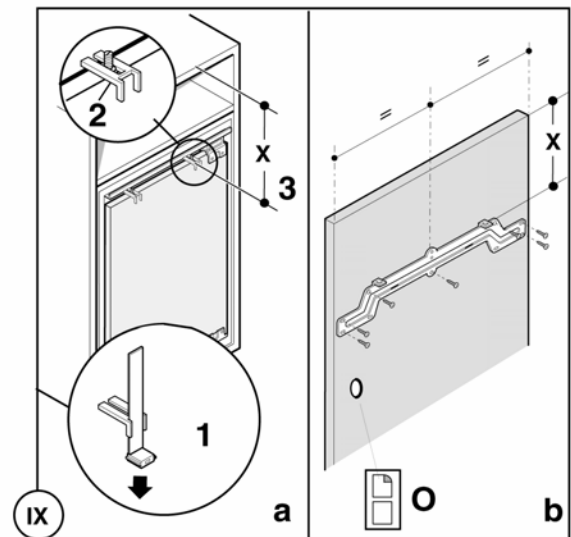
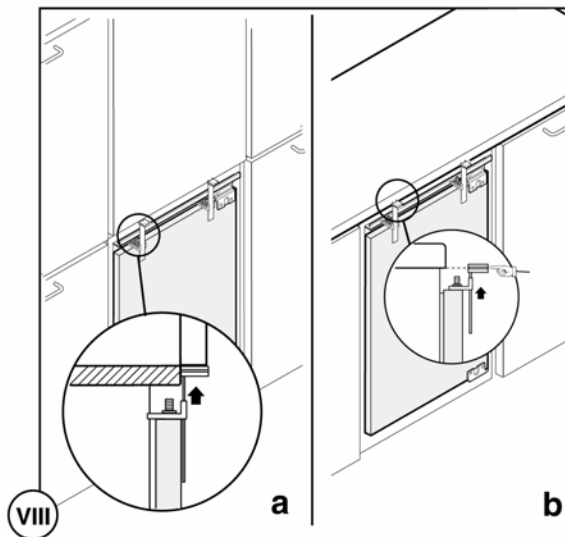
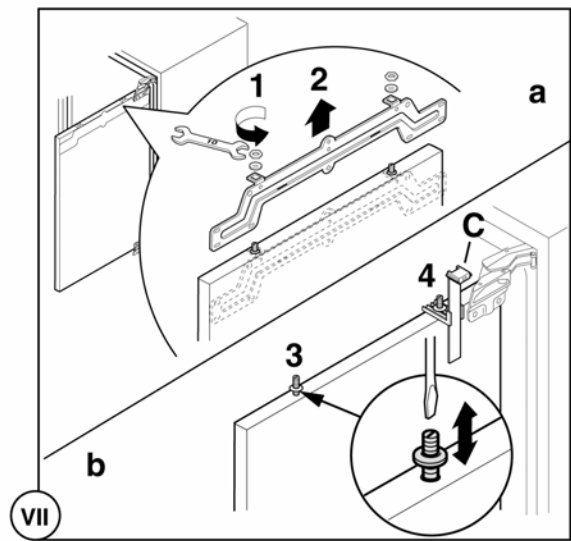
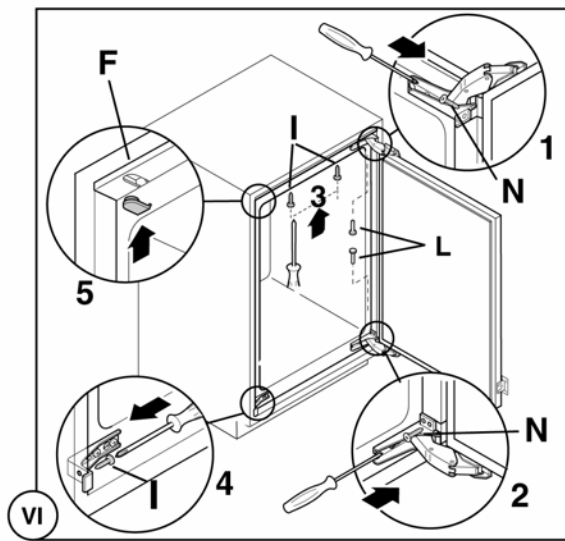
2221 009-38

cd001406

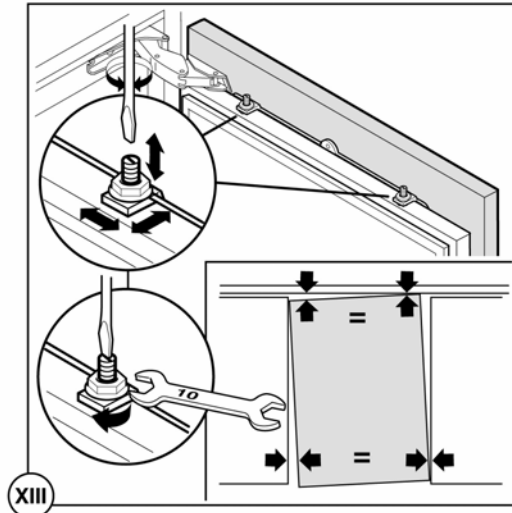
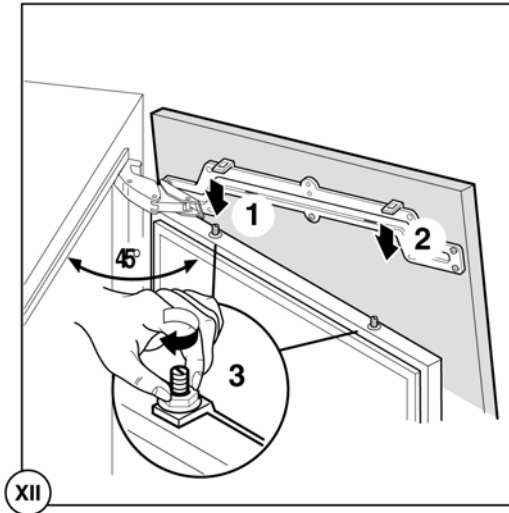
D Einbauanweisung
GB Installation instructions
NL Montage-aanwijzing
F Instructions de montage
I Istruzioni di montaggio
E Instrucciones para el montaje
P Instruções de montagem para o encastre



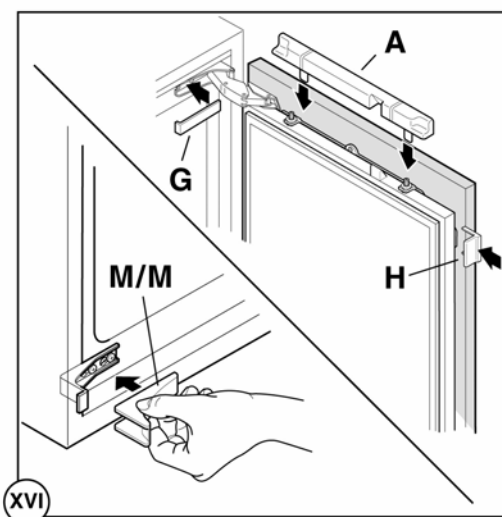
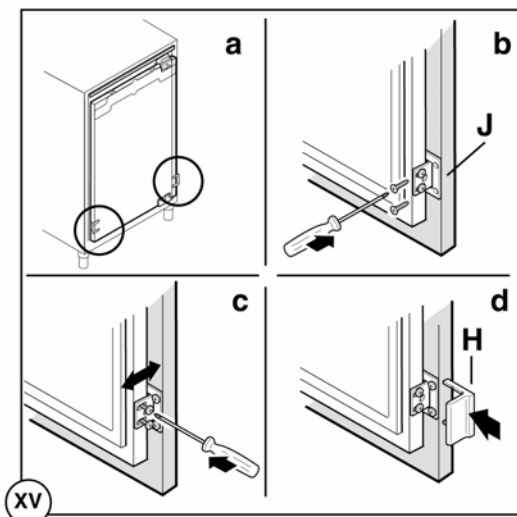
cd001407



cd001408



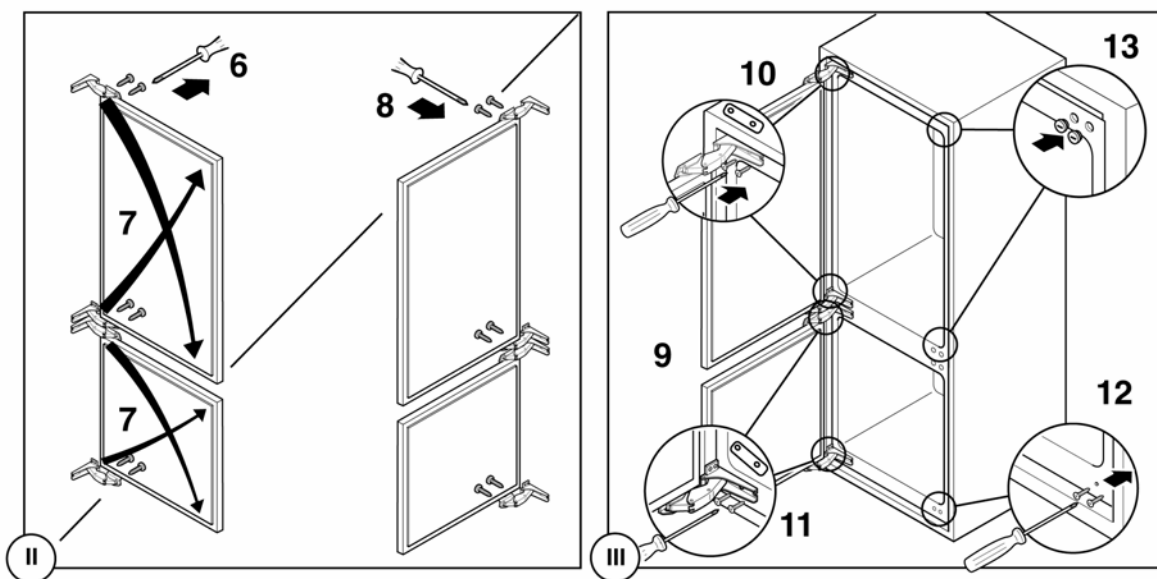
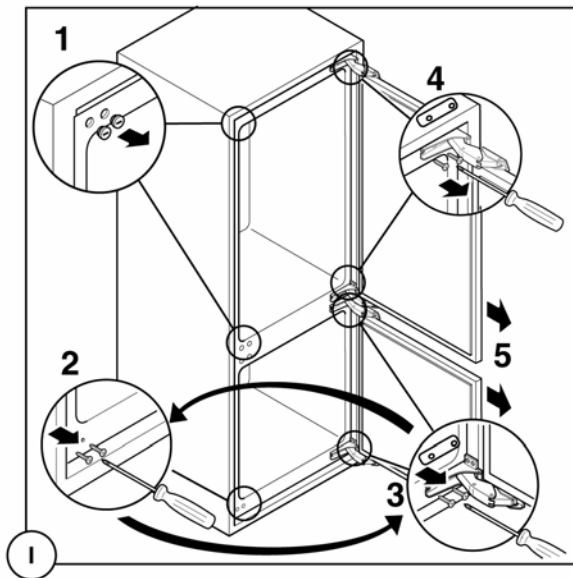
D Nur für geteilte Möbelfront
GB Only for split front panel
NL Alleen voor deuren van verschillende houtsoorten
F Uniquement pour portes en bois séparées
I Solo per ante in legno divise
E Solo para puertas de madera separadas
P Só para portas em madeira separadas



cd001409

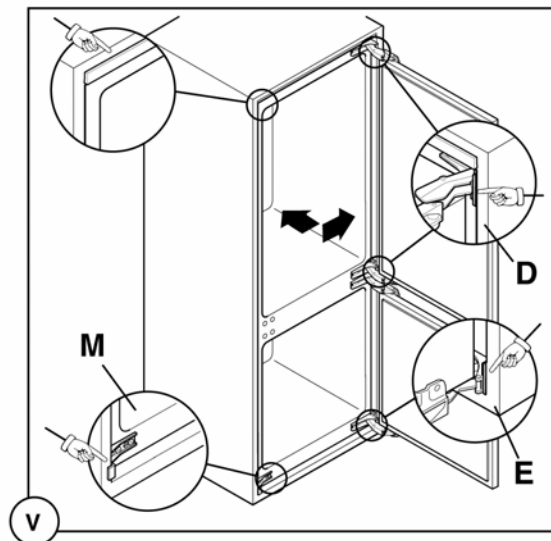
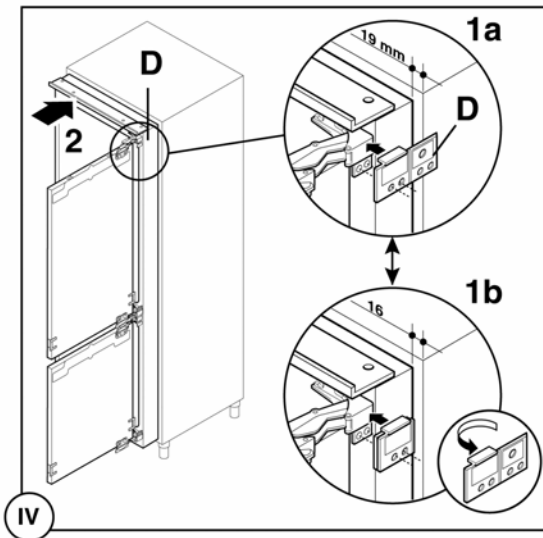
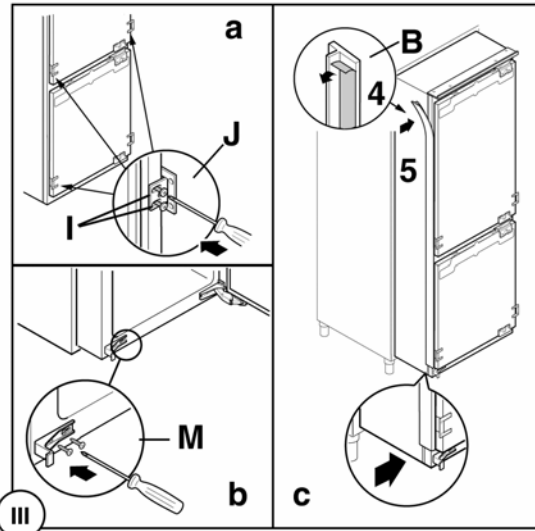
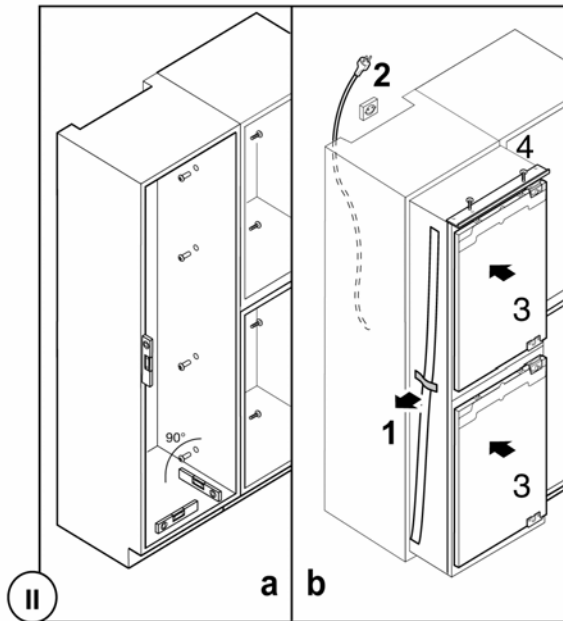
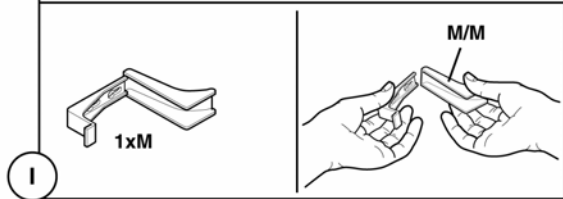
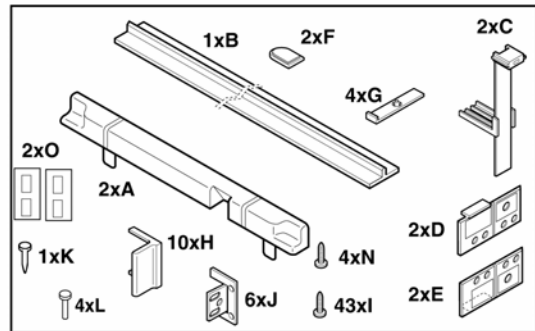
APPENDIX B:

- D** Türanschlagwechsel (falls erforderlich)
- GB** Reversibility of door (if necessary)
- NL** Overzetten van het deurscharnier
(indien nodig)
- F** Changement du côté d'ouverture de la
porte (si nécessaire)
- I** Reversibilità della porta (se necessario)
- E** Reversibilidad de la puerta
(si fuera necesario)
- P** Inversão do sentido de abertura da porta
(se necessário)

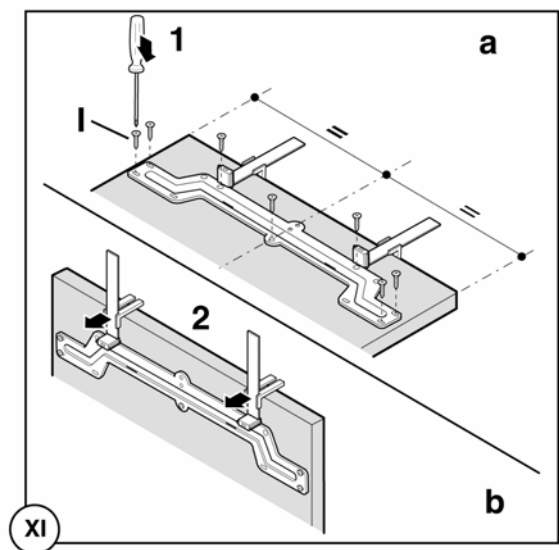
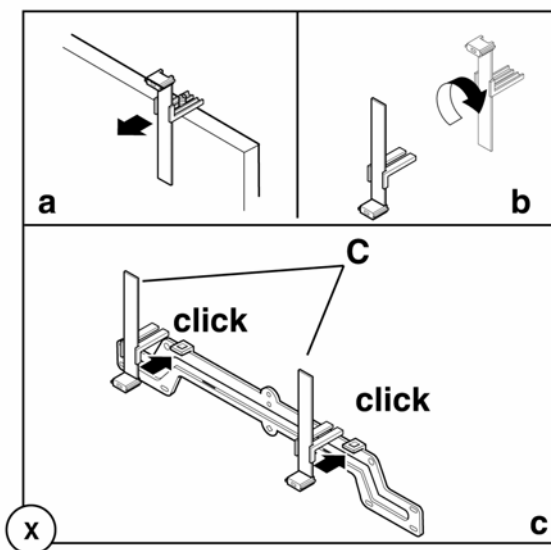
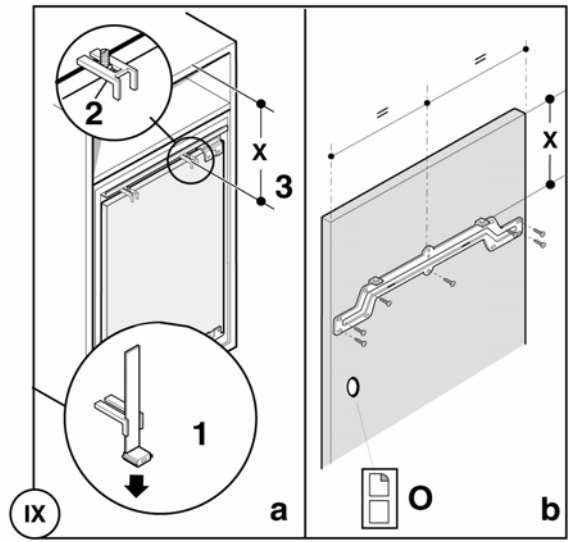
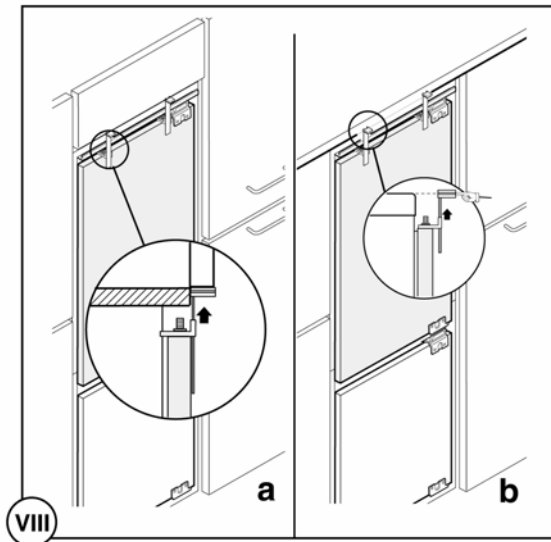
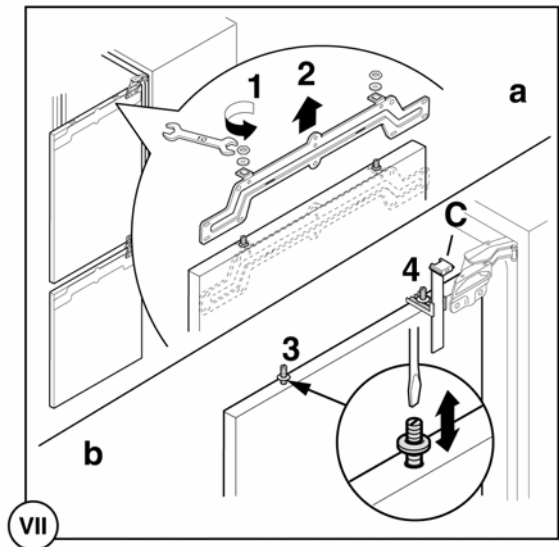
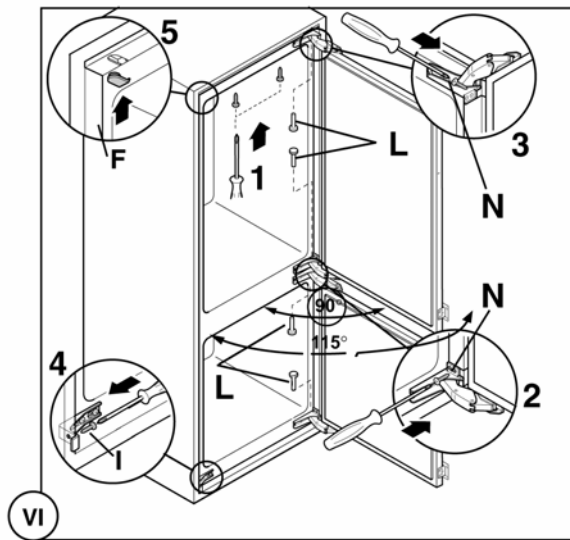


2221 009-48
cd001410

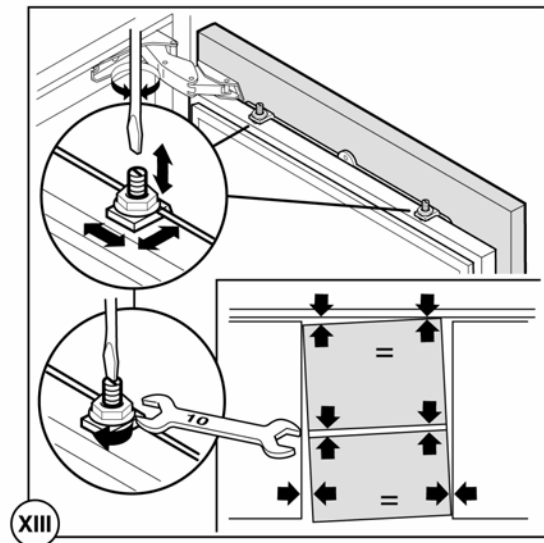
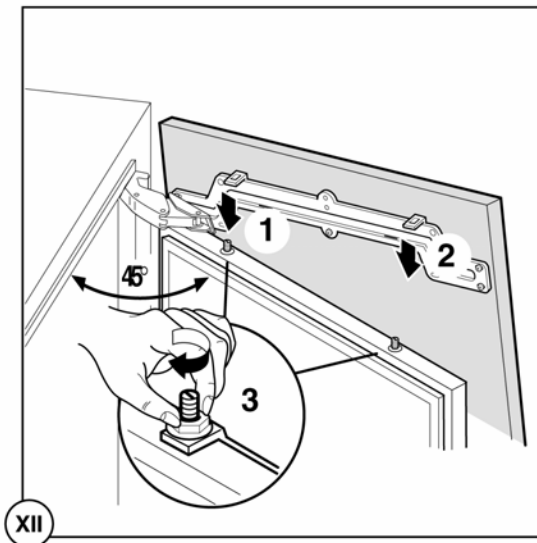
D Einbauanweisung
GB Installation instructions
NL Montage-aanwijzing
F Instructions de montage
I Istruzioni di montaggio
E Instrucciones para el montaje
P Instruções de montagem para o encastre



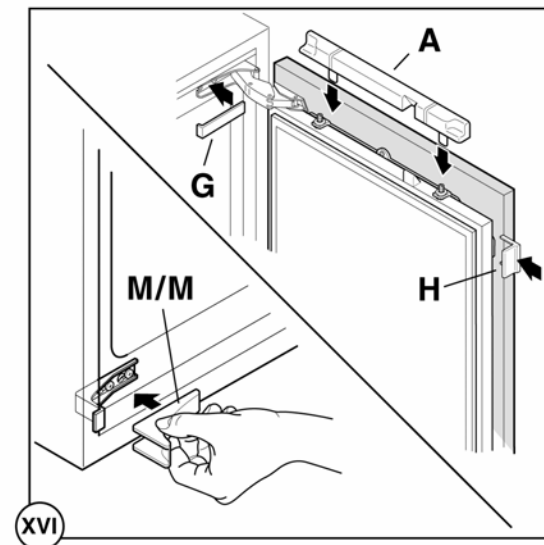
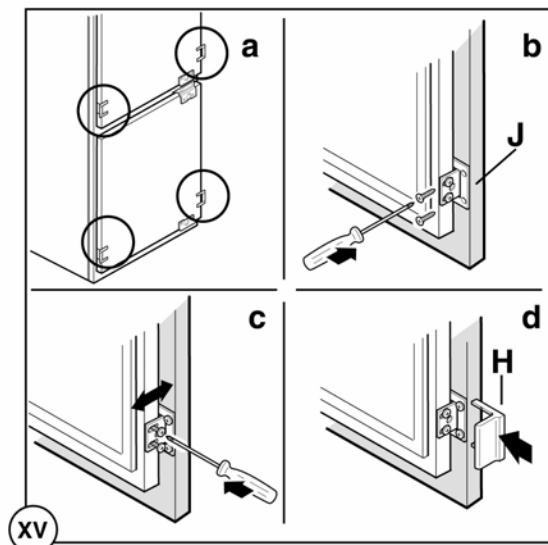
cd001411



cd001412



<p>D Nur für geteilte Möbelfront</p> <p>GB Only for split front panel</p> <p>NL Alleen voor deuren van verschillende houtsoorten</p> <p>F Uniquement pour portes en bois séparées</p> <p>I Solo per ante in legno divise</p> <p>E Solo para puertas de madera separadas</p> <p>P Só para portas em madeira separadas</p>	a	b
	c	d



cd001413