

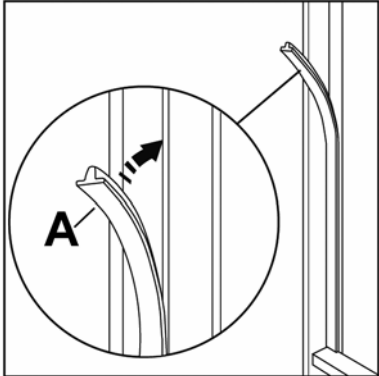
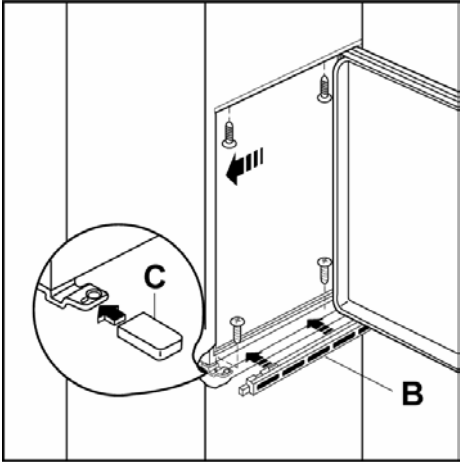
**COMPONENTS FOR THE INSTALLATION OF BUILT-IN MODELS
WITH "SLIDING DOOR" SYSTEM**

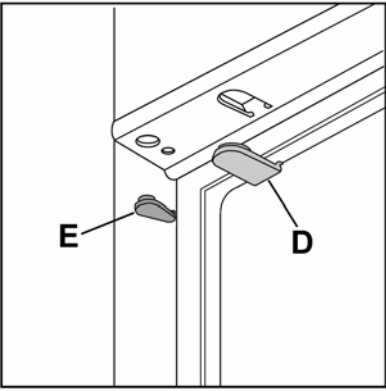
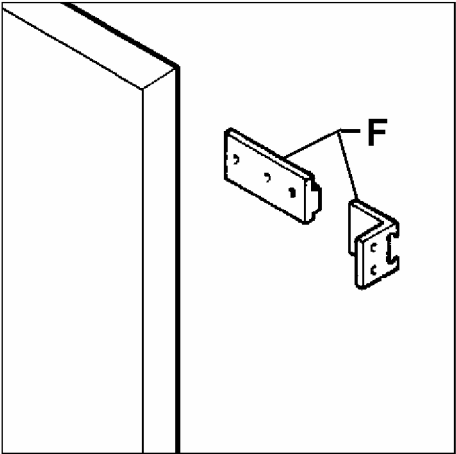
The Built-In models feature a list of components in order to install them correctly in the cabinet and a system for integrating door mounting ("sliding door" system).

In case of lack of some or all those components, it is possible to order them separately since they are all illustrated and codified in the spare part lists.

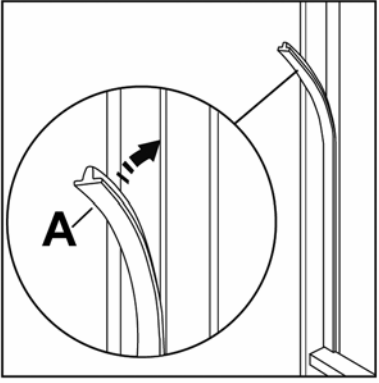
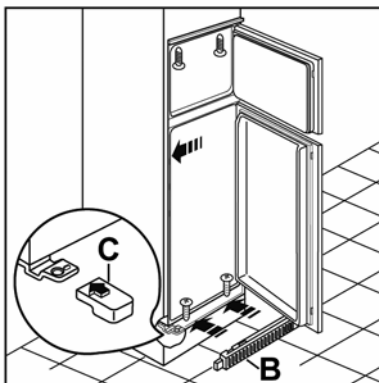
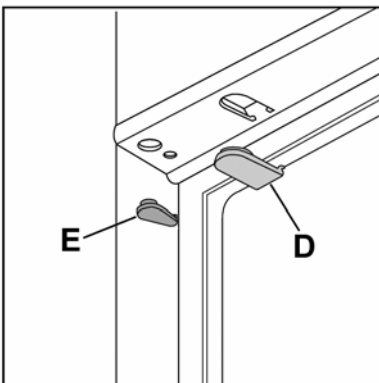
To find and order the single components of the installation refer to the instructions included in the user manual of the appliance involved and in accordance with the following summary table (NOTE: the pictures illustrated are purely indicative and they can change in accordance with the model):

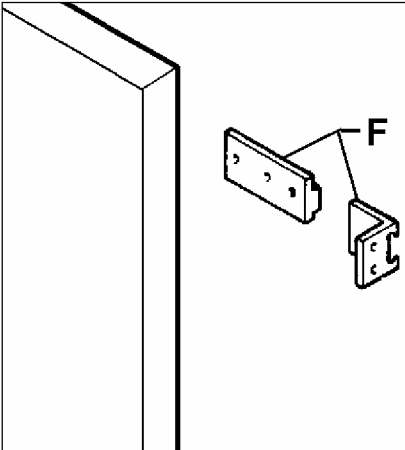
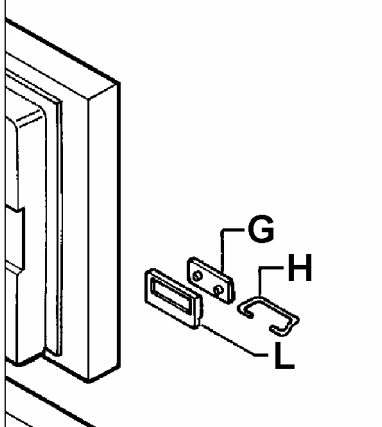
1-DOOR MODELS:

PICTURE	DESCRIPTION	SPARE PART NO.
 <p style="text-align: right; font-size: small;">cd001394</p>	A – LATERAL TRIMMING	See the specific spare part list for the model
 <p style="text-align: right; font-size: small;">cd001416</p>	B – AIR VENT GRID	See the specific spare part list for the model
	C – HINGE COVER	See the specific spare part list for the model

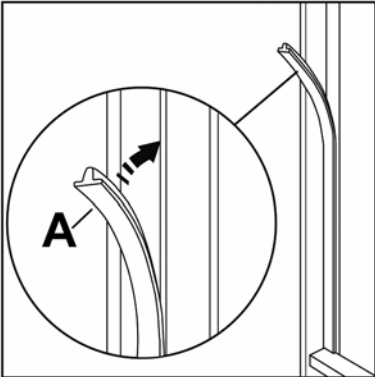
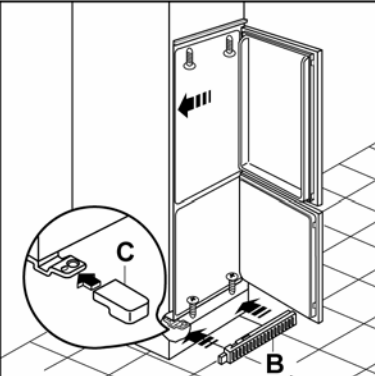
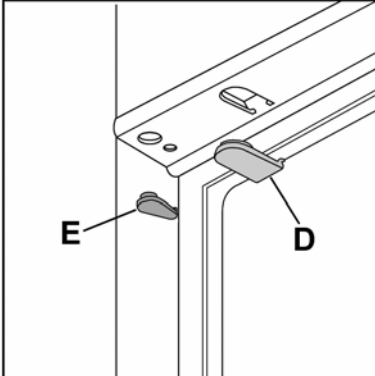
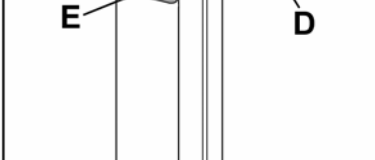
PICTURE	DESCRIPTION	SPARE PART NO.
 <p style="text-align: right; font-size: small;">cd001396</p>	<p>D – TRIMMING CAP</p>	<p>See the specific spare part list for the model (order 2 pieces)</p>
 <p style="text-align: right; font-size: small;">cd001397</p>	<p>F – INTEGRATED DOOR MOUNTING KIT COMPLETE</p>	<p>See the specific spare part list for the model</p>

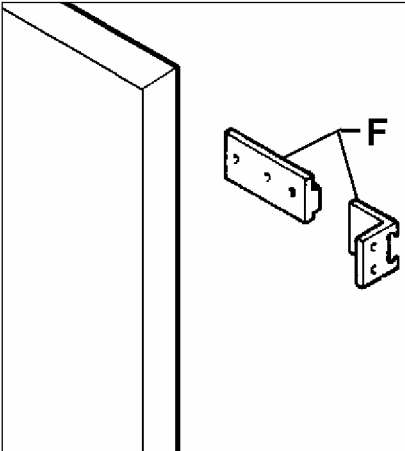
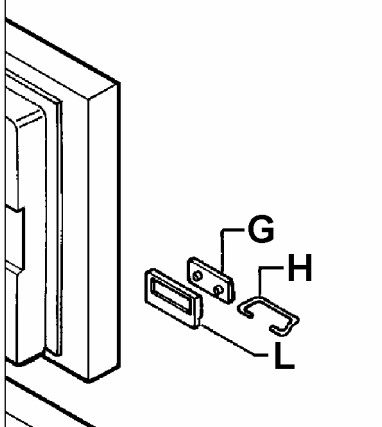
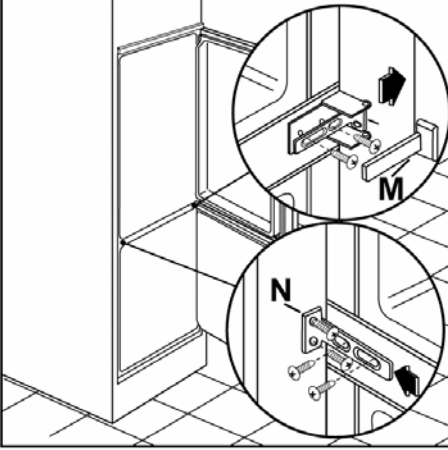
“COMBI TOP” 2-DOOR MODELS (top freezer):

PICTURE	DESCRIPTION	SPARE PART NO.
	<p>A - LATERAL TRIMMING</p>	<p>See the specific spare part list for the model</p>
	<p>B – AIR VENT GRID</p>	<p>See the specific spare part list for the model</p>
	<p>C - HINGE COVER</p>	<p>See the specific spare part list for the model</p>
	<p>D – TRIMMING CAP</p>	<p>See the specific spare part list for the model (order 2 pieces)</p>
	<p>E – HINGE CAP</p>	<p>See the specific spare part list for the model</p>

PICTURE	DESCRIPTION	SPARE PART NO.
 <p style="text-align: right; font-size: small;">cd001397</p>	<p>F – INTEGRATED DOOR MOUNTING KIT COMPLETE</p>	<p>See the specific spare part list for the model (order 2 pieces)</p>
 <p style="text-align: right; font-size: small;">cd001398</p> <p><i>This solution is optional and it is not for all the models !</i></p>	<p>G – COVER</p> <p>H – HANDLE</p> <p>L – DOOR SMALL BLOCK</p>	<p>See the specific spare part list for the model</p> <p>See the specific spare part list for the model</p> <p>See the specific spare part list for the model</p>

“COMBI BOTTOM” 2-DOOR MODELS (bottom freezer):

PICTURE	DESCRIPTION	SPARE PART NO.
 <p style="text-align: right; font-size: small;">cd001394</p>	<p>A - LATERAL TRIMMING</p>	<p>See the specific spare part list for the model</p>
 <p style="text-align: right; font-size: small;">cd001415</p>	<p>B – AIR VENT GRID</p>	<p>See the specific spare part list for the model</p>
 <p style="text-align: right; font-size: small;">cd001396</p>	<p>D – TRIMMING CAP</p>	<p>See the specific spare part list for the model (order 2 pieces)</p>
 <p style="text-align: right; font-size: small;">cd001396</p>	<p>E – HINGE CAP</p>	<p>See the specific spare part list for the model</p>

PICTURE	DESCRIPTION	SPARE PART NO.
 <p style="text-align: right; font-size: small;">cd001397</p>	<p>F – INTEGRATED DOOR MOUNTING KIT COMPLETE</p>	<p>See the specific spare part list for the model</p>
 <p style="text-align: right; font-size: small;">cd001398</p> <p><i>This solution is optional and it is not for all the models !</i></p>	<p>G – COVER</p>	<p>See the specific spare part list for the model</p>
	<p>H – HANDLE</p>	<p>See the specific spare part list for the model</p>
	<p>L – DOOR SMALL BLOCK</p>	<p>See the specific spare part list for the model</p>
 <p style="text-align: right; font-size: small;">cd001414</p>	<p>M – BRACKET COVER</p>	<p>See the specific spare part list for the model (order 2 pieces)</p>
	<p>N – FIXING BRACKET</p>	<p>See the specific spare part list for the model (order 2 pieces)</p>