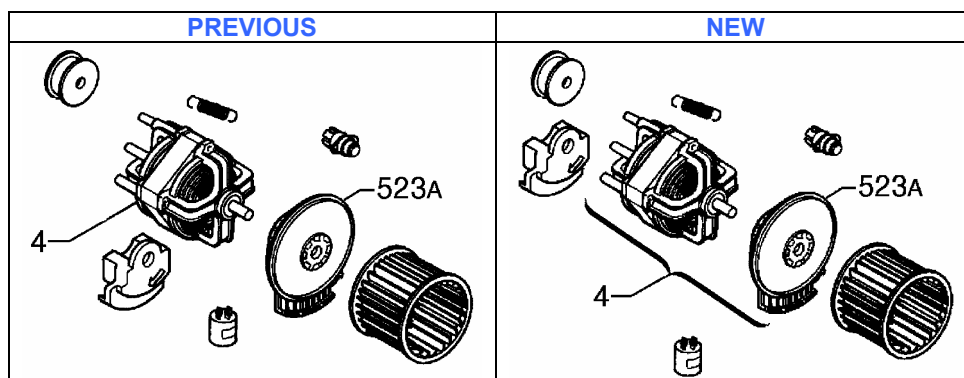


NEW MOTORS WITH PLATE FRONT SHIELD

As from serial no. 404 the following motors can be fitted on the Nexus1 (P51) and Nexus4 (P54) vented dryers produced in Poland:

- ⇒ Motor with aluminium front shield with motor support assembly and red bush
- or
- ⇒ Motor with plate front shield with motor support assembly and green bush

PART NO.



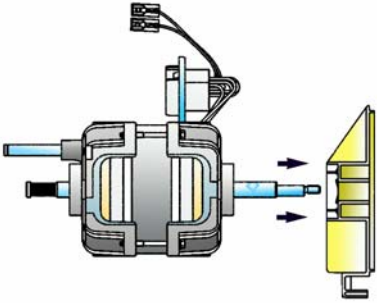
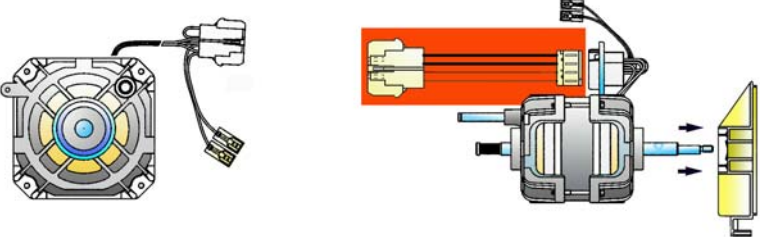
Pos.	Description	Previous part no.	New part no.
4	Motor	125 40 02-03/1	-----
523a	Motor support assembly	125 40 35-03/1	-----
4	Motor kit	-----	5027 87 87-00/2
523a	Motor support assembly	-----	125 40 35-11/4

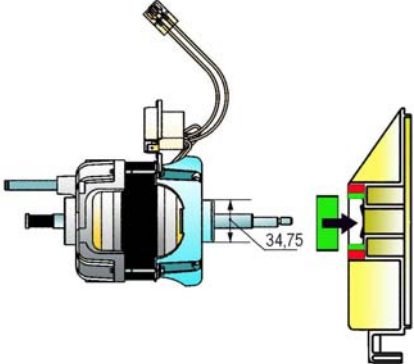
- The motor kit (pos. 4) part no. 5027 87 87-00/2 includes:
 - ⇒ Motor
 - ⇒ Motor support assembly
 - ⇒ Cable. This must be used when the motor (with aluminium shields) to be replaced is not provided with the bracket for the terminal block support.
- Motor support assembly (pos. 523a) part no. 125 40 35-11/4 includes:
 - ⇒ Motor support with red bush already integrated, for motors with aluminium shields.
 - ⇒ The green bush must be fitted inside the red one, if the motor fits the plate front shield.

INTERCHANGEABILITY

The motor kit and the motor support assembly are perfectly interchangeable. They can be used whether on motors with aluminium front shields or with plate shields.

INFORMATION FOR THE SERVICE

MOTOR KIT	
<p>Fit the motor into the support assembly</p>	
<p>Use the cable supplied within the kit, if the appliance is provided with a motor without terminal block support bracket.</p>	

MOTOR SUPPORT ASSEMBLY	
<p>On motors with plate shield, fit the green bush inside the red one</p>	
<p>On motors with aluminium shield, use the motor support with the red bush</p>	