

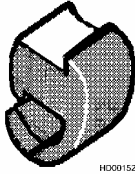
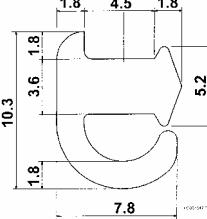

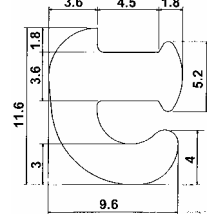
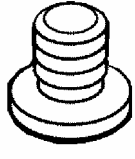
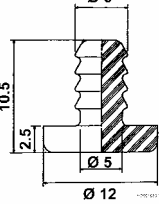
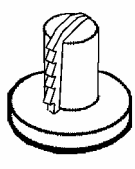
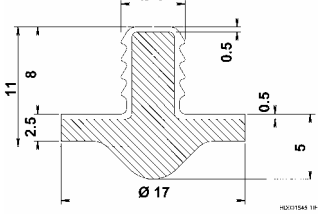
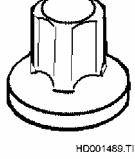
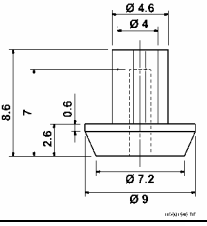
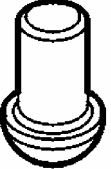
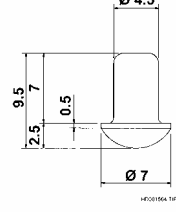


THIS DOCUMENT UPDATES AND REPLACES THE PREVIOUS WITH SAME PUBL. NO.

SERVICE BULLETIN

RUBBERS FOR PAN-SUPPORT RACKS

We inform you that the rubbers for the pan-support racks are available as spare parts:

| | | |
|--|---|---|
| <p>PART NO. 50 247 058 00/6 12 PIECES KIT (355602301)</p> |  <p>HD001525.TIF</p> |  |
| <p>PART NO. 50 268 330 00/3 20 PIECES KIT (355606901)</p> |  <p>HD001487.TIF</p> |  |
| <p>PART NO. 50 252 309 00/5 (*) 20 PIECES KIT (356513002)</p> |  <p>HD001488.TIF</p> |  |
| <p>PART NO. 50 268 203 00/2 (*) 20 PIECES KIT (356515001)</p> |  <p>HD001491.TIF</p> |  |
| <p>PART NO. 50 268 202 00/4 (*) 20 PIECES KIT (356515701)</p> |  <p>HD001489.TIF</p> |  |
| <p>PART NO. 50 268 837 00/7 (*) 20 PIECES KIT (356513401)</p> |  <p>HD001565.TIF</p> |  |

(*) NOTE:


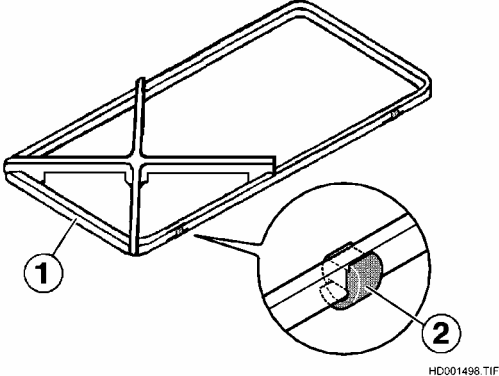
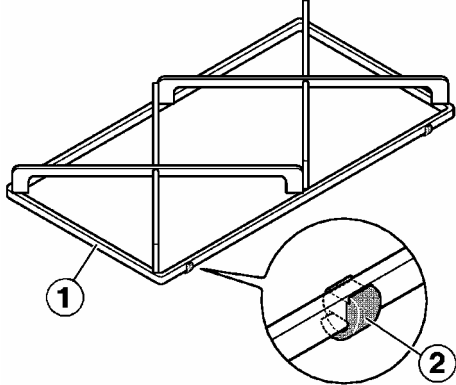
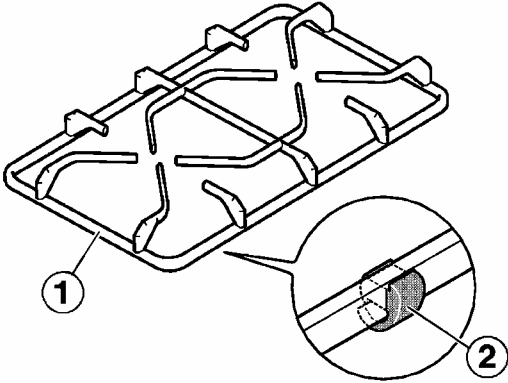
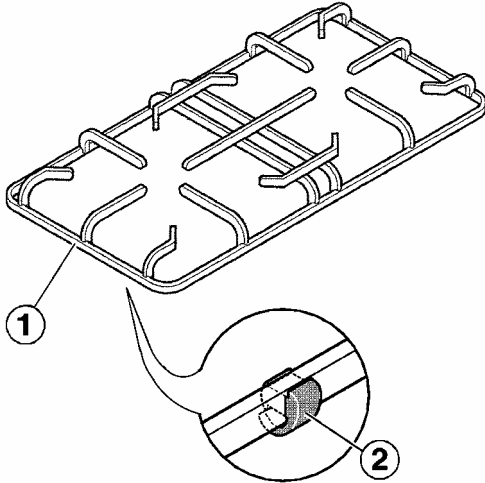
When you insert the rubbers in the seats of the pan-support racks, it is necessary to use a silicon glue, **resistant to the high temperatures** in order to fix them.

A kit (of about 310ml) of silicon glue is available with code **5024 97 02-00/7**.

After gluing the rubbers with this glue, it is necessary to let it dry for 15 – 90 minutes before using the pan-support racks.

Please find below the list of pan-support racks – rubbers kit (pages 2-16) and the index of pan-support rack – picture code/page (pages 17-18)

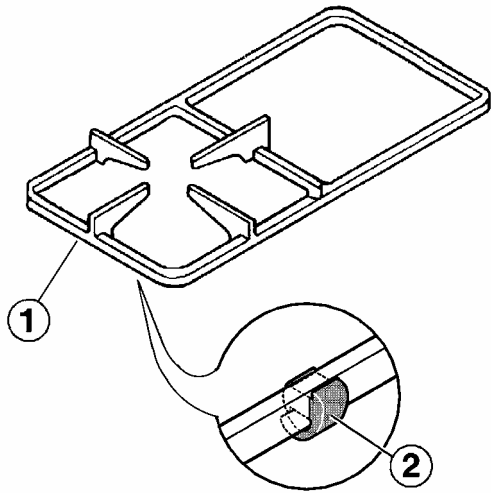
Please find below the various codes for the pan-support racks with the link to the different rubbers:

| RUBBERS KIT CODE 50 247 058 00/6 FOR FLAT IRON PAN-SUPPORTS | |  |
|--|---|---|
| <p>PAN-SUPPORT RACK TYPE NO. 354 61 11 02/6 BLACK, 1 GAS BURNER</p>  <p style="text-align: right; font-size: small;">HD001498.TIF</p> <p>Pic. 1</p> <p>1 - FLAT IRON PAN-SUPPORT RACK 2 - RUBBER NO. 50 247 058 00/6</p> | <p>PAN-SUPPORT RACK TYPE NO. 354 60 89 02/4 BLACK, 2 GAS BURNERS</p>  <p style="text-align: right; font-size: small;">HD001298.TIF</p> <p>Pic. 2</p> <p>1 - FLAT IRON PAN-SUPPORT RACK 2 - RUBBER NO. 50 247 058 00/6</p> | |
| <p>PAN-SUPPORT NO. TYPE 354 61 27 02/2 BLACK, 2 GAS BURNERS (W. 255 mm) 354 61 51 02/2 BLACK, 2 GAS BURNERS (W. 232 mm)</p>  <p style="text-align: right; font-size: small;">HD001499.TIF</p> <p>Pic. 3</p> <p>1 - FLAT IRON PAN-SUPPORT RACK 2 - RUBBER NO. 50 247 058 00/6</p> | <p>PAN-SUPPORT NO. TYPE 354 61 77 01/9 BLACK, 2 GAS BURNERS</p>  <p style="text-align: right; font-size: small;">HD001494.TIF</p> <p>Pic. 4</p> <p>1 - FLAT IRON PAN-SUPPORT RACK 2 - RUBBER NO. 50 247 058 00/6</p> | |

RUBBERS KIT NO. 50 247 058 00/6 FOR FLAT IRON PAN-SUPPORT RACKS



PAN-SUPPORT RACK TYPE
 NO. **354 61 72 02/8** BLACK, 1 GAS BURNER

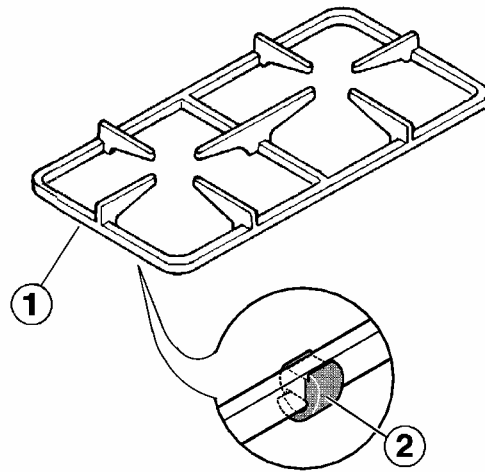


HD001496.TIF

Pic. 5

- 1 - FLAT IRON PAN-SUPPORT RACK
- 2 - RUBBER NO. **50 247 058 00/6**

PAN-SUPPORT RACK TYPE
 NO. **354 60 68 02/8** BLACK, 2 GAS BURNERS
 NO. **354 60 69 02/6** BLACK, 2 GAS BURNERS

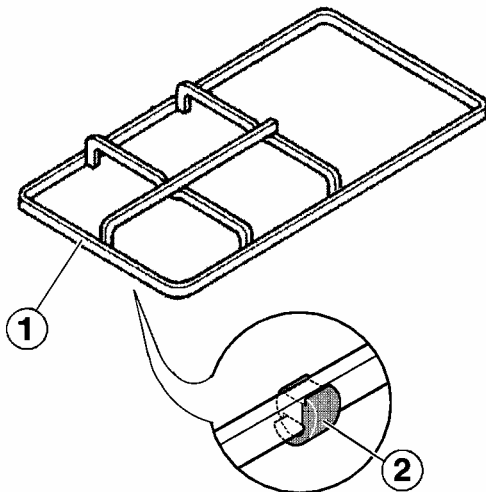


HD001497.TIF

Pic. 6

- 1 - FLAT IRON PAN-SUPPORT RACK
- 2 - RUBBER NO. **50 247 058 00/6**

PAN-SUPPORT RACK TYPE
 NO. **354 61 76 01/1** BLACK, 1 GAS BURNER

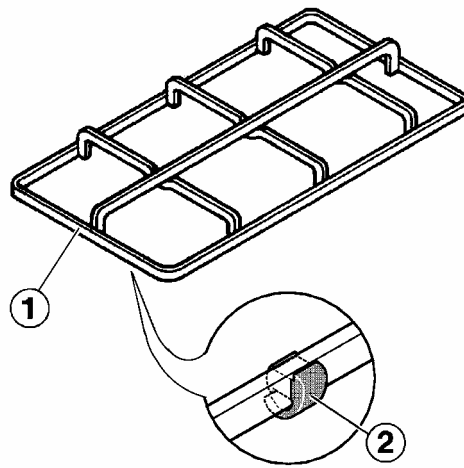


HD001495.TIF

Pic. 7

- 1 - FLAT IRON PAN-SUPPORT RACK
- 2 - RUBBER NO. **50 247 058 00/6**

PAN-SUPPORT RACK TYPE
 NO. **354 61 75 01/3** BLACK, 2 GAS BURNERS
 NO. **354 61 96 01/9** BLACK, 2 GAS BURNERS



HD001490.TIF

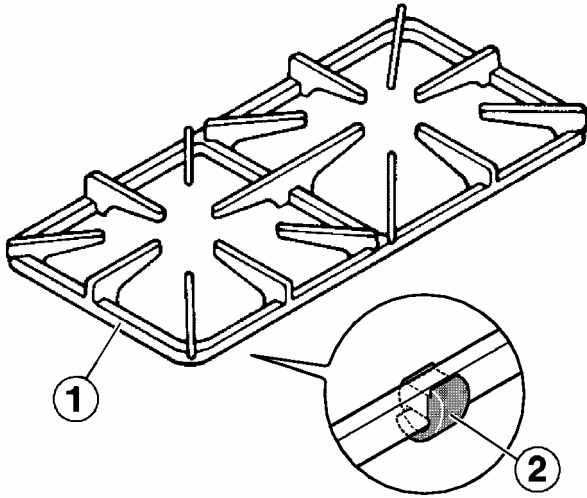
Pic. 8

- 1 - FLAT IRON PAN-SUPPORT RACK
- 2 - RUBBER NO. **50 247 058 00/6**

RUBBERS KIT NO. 50 247 058 00/6 FOR FLAT IRON PAN-SUPPORT RACKS



PAN-SUPPORT RACK TYPE
 NO. **354 60 55 02/5** BLACK, 2 GAS BURNERS
 NO. **354 60 55 03/3** BROWN, 2 GAS BURNERS
 NO. **354 60 84 02/5** BLACK, 2 GAS BURNERS
 NO. **354 60 84 03/3** BROWN, 2 GAS BURNERS

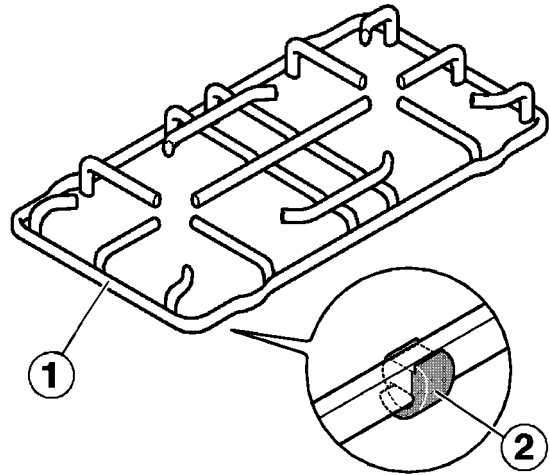


HD001507.TIF

Pic. 9

- 1 - FLAT IRON PAN-SUPPORT RACK
- 2 - RUBBER NO. **50 247 058 00/6**

PAN-SUPPORT RACK TYPE
 NO. **354 61 44 02/7** BLACK, 2 GAS BURNERS

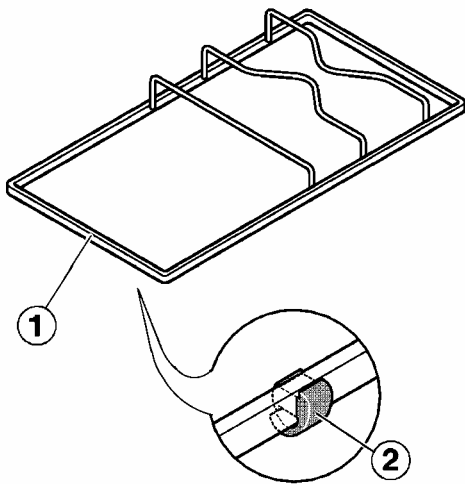


HD001500.TIF

Pic.10

- 1 - FLAT IRON PAN-SUPPORT RACK
- 2 - RUBBER NO. **50 247 058 00/6**

PAN-SUPPORT RACK TYPE
 NO. **354 61 05 02/8** BLACK, 1 GAS BURNER

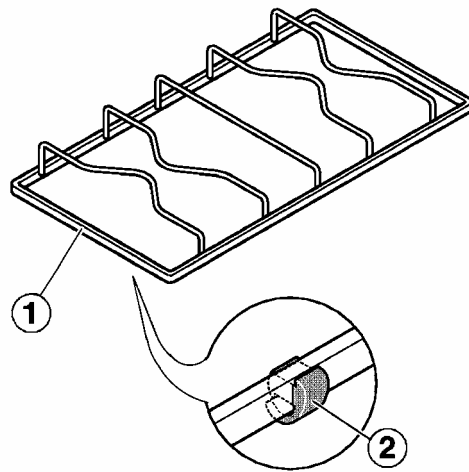


HD001501.TIF

Pic. 11

- 1 - FLAT IRON PAN-SUPPORT RACK
- 2 - RUBBER NO. **50 247 058 00/6**

PAN-SUPPORT RACK TYPE
 NO. **354 61 04 04/7** CROMATED 2 GAS BURNERS
 NO. **354 61 04 02/1** BLACK, 2 GAS BURNERS



HD001501.TIF

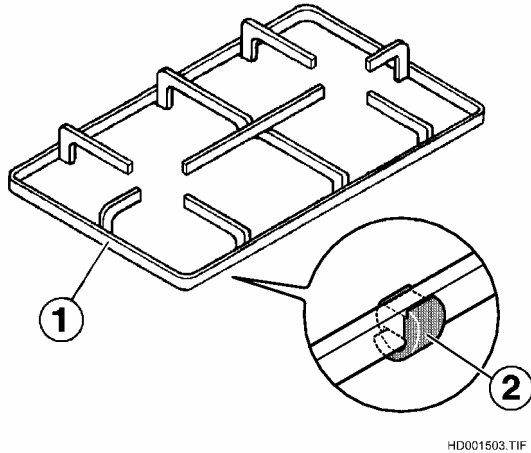
Pic. 12

- 1 - FLAT IRON PAN-SUPPORT RACK
- 2 - RUBBER NO. **50 247 058 00/6**

RUBBERS KIT NO. 50 247 058 00/6 FOR FLAT IRON PAN-SUPPORT RACKS



| PAN-SUPPORT RACK NO. | TYPE |
|----------------------|----------------------|
| 354 60 31 01/8 | BROWN, 2 GAS BURNERS |
| 354 60 31 02/6 | BLACK, 2 GAS BURNERS |
| 354 60 32 01/6 | BROWN, 2 GAS BURNERS |
| 354 60 32 02/4 | BLACK, 2 GAS BURNERS |

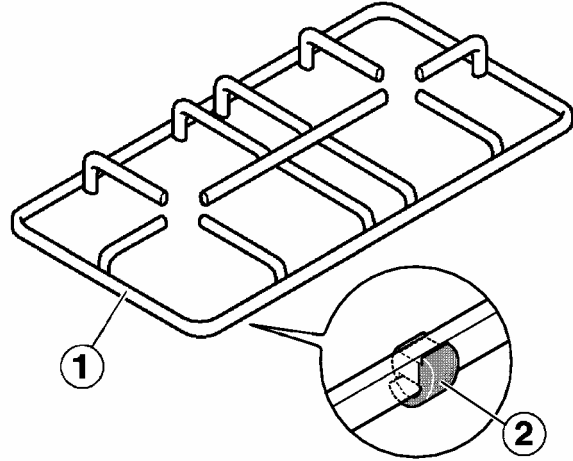


HD001503.TIF

Pic. 13

- 1 - FLAT IRON PAN-SUPPORT RACK
- 2 - RUBBER NO. **50 247 058 00/6**

| PAN-SUPPORT RACK NO. | TYPE |
|----------------------|----------------------|
| 354 60 33 01/4 | BROWN, 2 GAS BURNERS |
| 354 60 33 02/2 | BLACK, 2 GAS BURNERS |
| 354 60 34 01/2 | BROWN, 2 GAS BURNERS |
| 354 60 34 02/0 | BLACK, 2 GAS BURNERS |

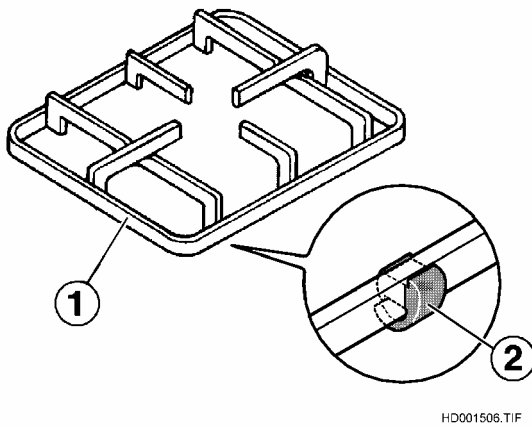


HD001504.TIF

Pic.14

- 1 - FLAT IRON PAN-SUPPORT RACK
- 2 - RUBBER NO. **50 247 058 00/6**

| PAN-SUPPORT RACK NO. | TYPE |
|----------------------|---------------------|
| 354 60 35 01/9 | BROWN, 1 GAS BURNER |
| 354 60 35 02/7 | BLACK, 1 GAS BURNER |
| 354 60 36 01/7 | BROWN, 1 GAS BURNER |
| 354 60 36 02/5 | BLACK, 1 GAS BURNER |

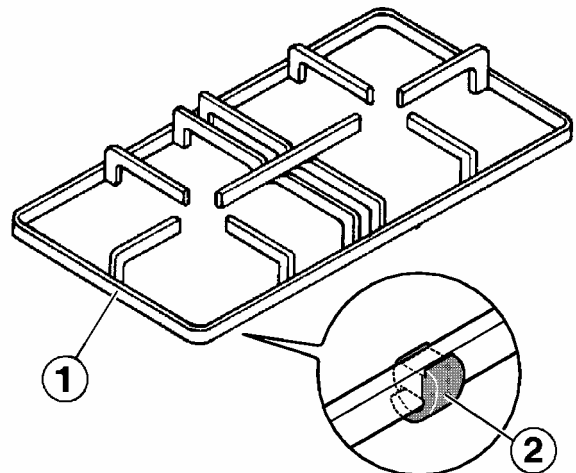


HD001506.TIF

Pic. 15

- 1 - FLAT IRON PAN-SUPPORT RACK
- 2 - RUBBER NO. **50 247 058 00/6**

| PAN-SUPPORT RACK NO. | TYPE |
|----------------------|----------------------|
| 354 60 37 01/5 | BROWN, 2 GAS BURNERS |
| 354 60 37 02/3 | BLACK, 2 GAS BURNERS |
| 354 60 38 01/3 | BROWN, 2 GAS BURNERS |
| 354 60 38 02/1 | BLACK, 2 GAS BURNERS |



HD001505.TIF

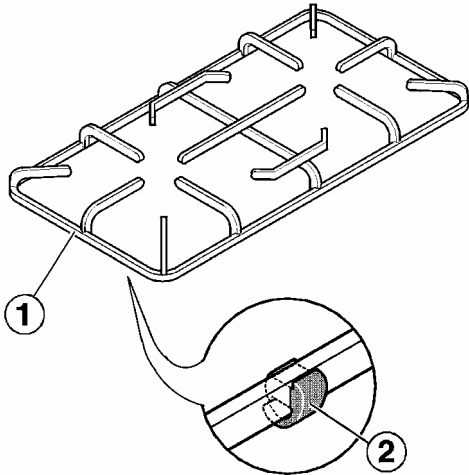
Pic. 16

- 1 - FLAT IRON PAN-SUPPORT RACK
- 2 - RUBBER NO. **50 247 058 00/6**

RUBBERS KIT NO. 50 247 058 00/6 FOR FLAT IRON PAN-SUPPORT RACK



PAN-SUPPORT RACK TYPE
 NO. **354 60 62 05/4** BLACK, 2 GAS BURNERS

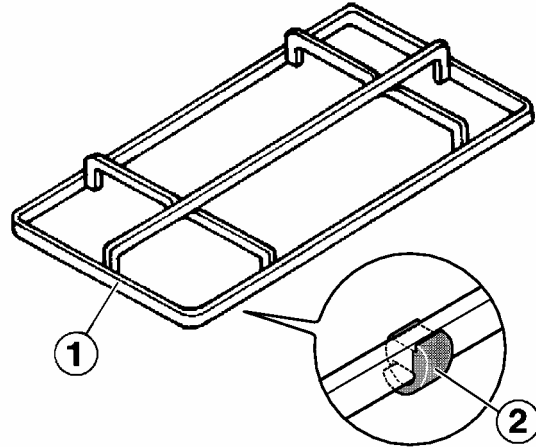


HD001510.TIF

Pic. 17

1 - FLAT IRON PAN-SUPPORT RACK
 2 - RUBBER NO. **50 247 058 00/6**

PAN-SUPPORT RACK TYPE
 NO. **354 60 76 02/1** BROWN, 2 GAS BURNERS
 (354 60 76 05)
 NO. **354 60 76 03/9** BLACK, 2 GAS BURNERS
 (354 60 76 06)
 NO. **354 60 85 02/2** BROWN, 2 GAS BURNERS
 NO. **354 60 85 03/0** BLACK, 2 GAS BURNERS
 NO. **354 60 97 02/7** BLACK, 2 GAS BURNERS

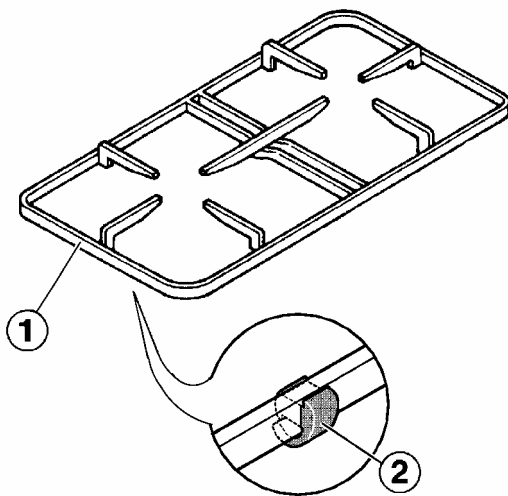


HD001509.TIF

Pic.18

1 - FLAT IRON PAN-SUPPORT RACK
 2 - RUBBER NO. **50 247 058 00/6**

PAN-SUPPORT RACK TYPE
 NO. **354 60 82 04/5** BLACK, 2 GAS BURNERS
 NO. **354 60 90 02/2** BLACK, 2 GAS BURNERS
 NO. **354 60 90 06/3** BLACK, 2 GAS BURNERS

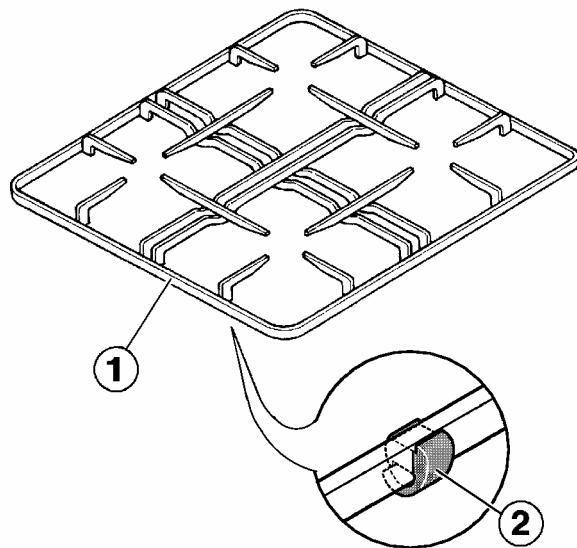


HD001511.TIF

Pic. 19

1 - FLAT IRON PAN-SUPPORT RACK
 2 - RUBBER NO. **50 247 058 00/6**

PAN-SUPPORT RACK TYPE
 NO. **354 60 83 02/7** BLACK, 4 GAS BURNERS
 NO. **354 60 83 04/3** BLACK, 4 GAS BURNERS



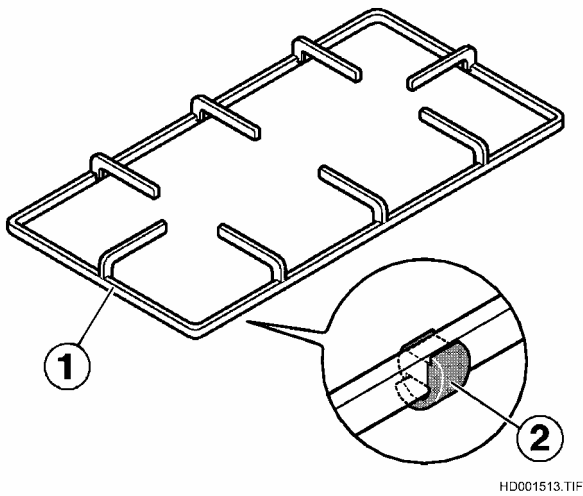
HD001512.TIF

Pic. 20

1 - FLAT IRON PAN-SUPPORT RACK
 2 - RUBBER NO. **50 247 058 00/6**



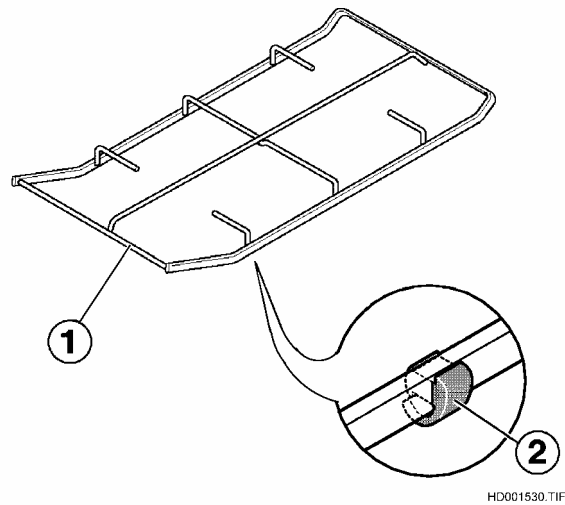
PAN-SUPPORT RACK TYPE
354 60 98 02/5 1 BLACK BURNER FOR FISH



Pic. 21

- 1 - FLAT IRON PAN-SUPPORT RACK
- 2 - RUBBER NO. **50 247 058 00/6**

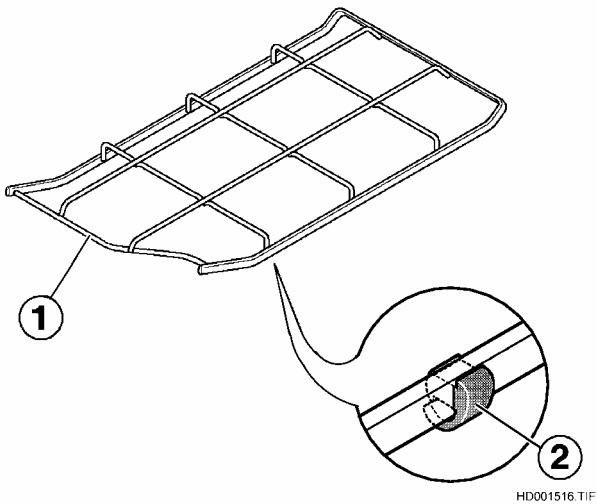
PAN-SUPPORT RACK TYPE
354 61 71 01/2 1 BLACK BURNER FOR FISH



Pic. 22

- 1 - BAR PAN-SUPPORT RACK
- 2 - RUBBER NO. **50 247 058 00/6**

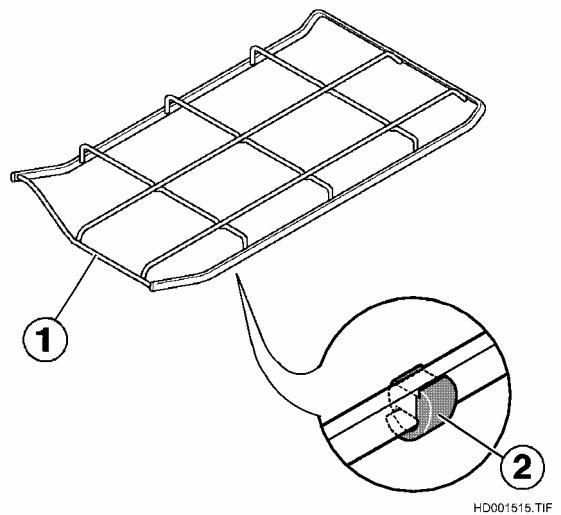
PAN-SUPPORT RACK TYPE
354 61 26 06/5 2 LEFT BLACK BURNERS



Pic. 23

- 1 - BAR PAN-SUPPORT RACK
- 2 - RUBBER NO. **50 247 058 00/6**

PAN-SUPPORT RACK TYPE
354 61 26 05/7 2 RIGHT BLACK BURNERS



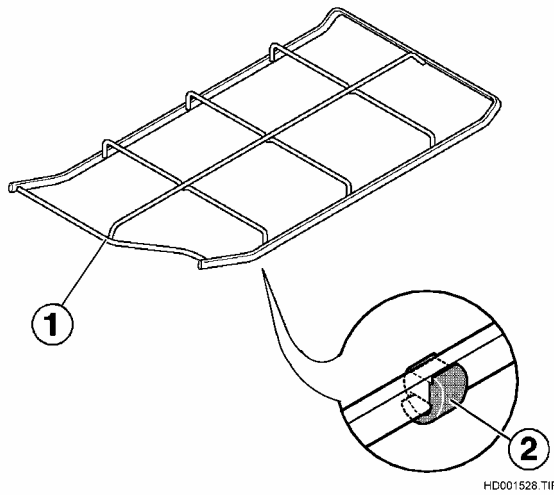
Pic. 24

- 1 - BAR PAN-SUPPORT RACK
- 2 - RUBBER NO. **50 247 058 00/6**

RUBBERS KIT NO. 50 247 058 00/6 FOR FLAT IRON PAN-SUPPORT RACK



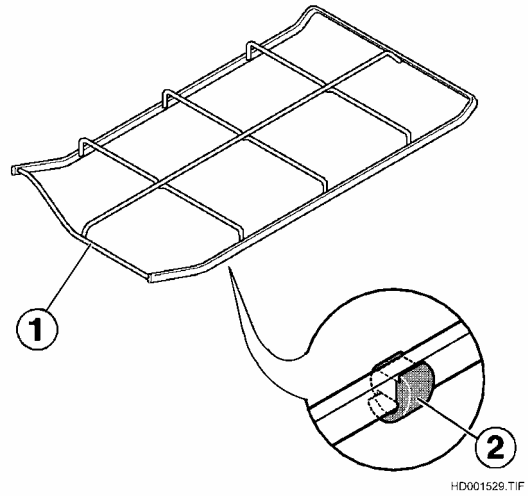
PAN-SUPPORT RACK TYPE
354 61 69 02/4 2 LEFT BLACK BURNERS



Pic. 25

- 1 - BAR PAN-SUPPORT RACK
- 2 - RUBBER NO. **50 247 058 00/6**

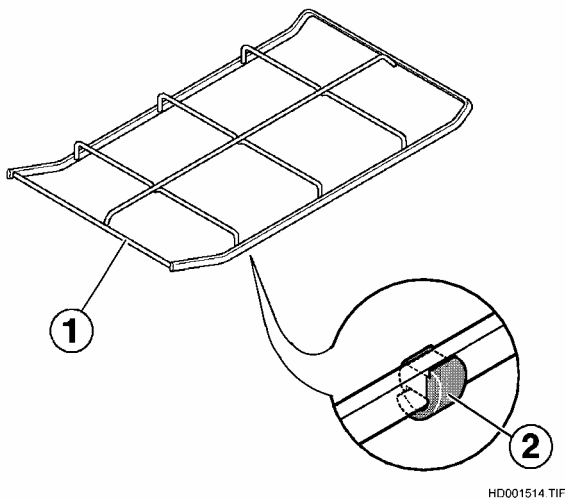
PAN-SUPPORT RACK TYPE
354 61 69 01/6 2 RIGHT BACK BURNERS



Pic. 26

- 1 - BAR PAN-SUPPORT RACK
- 2 - RUBBER NO. **50 247 058 00/6**

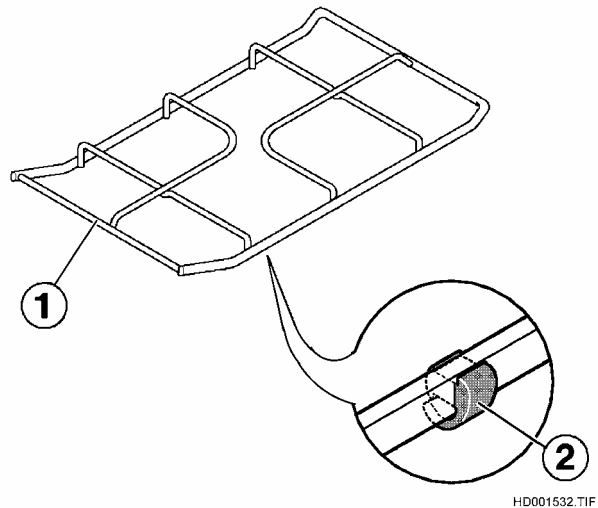
PAN-SUPPORT RACK TYPE
354 61 54 01/8 1 CENTRAL BLACK BURNER
354 61 70 01/4 1 CENTRAL BLACK BURNER



Pic. 27

- 1 - BAR PAN-SUPPORT RACK
- 2 - RUBBER NO. **50 247 058 00/6**

PAN-SUPPORT RACK TYPE
354 61 65 01/4 1 CENTRAL BLACK BURNER
354 61 65 02/2 1 CENTRAL CHROME PLATED BURNER
354 61 66 02/0 1 CENTRAL CHROME PLATED BURNER



Pic. 28

- 1 - BAR PAN-SUPPORT RACK
- 2 - RUBBER NO. **50 247 058 00/6**

RUBBERS KIT NO. 50 247 058 00/6 FOR FLAT IRON PAN-SUPPORT RACK

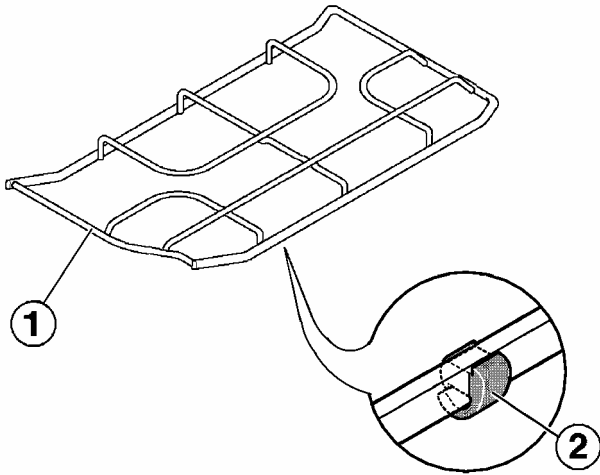


PAN-SUPPORT RACK TYPE
354 61 39 06/8 2 LEFT CHROME PLATED BURNERS

(354 61 39 10)

354 61 64 02/5 2 LEFT BLACK BURNERS

354 61 64 04/1 2 LEFT CHROME PLATED BURNERS



HD001531.TIF

Pic. 29

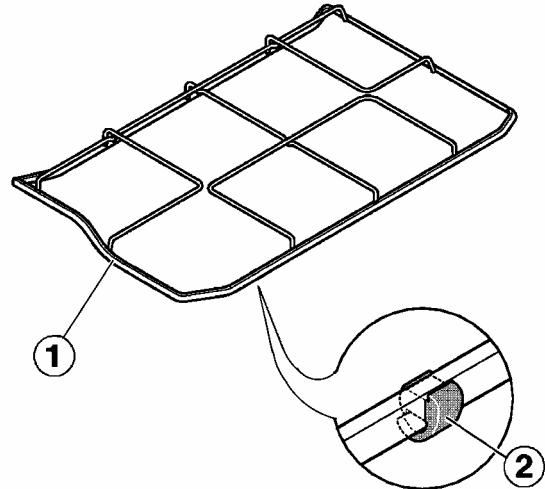
1 - FLAT IRON PAN-SUPPORT RACK
 2 - GOMMINO COD. **50 247 058 00/6**

PAN-SUPPORT RACK TYPE
354 61 39 05/0 2 RIGHT CHROME PLATED BURNERS

(354 61 39 09)

354 61 64 01/7 2 RIGHT BLACK BURNERS

354 61 64 03/3 2 RIGHT CHROME PLATED BURNERS

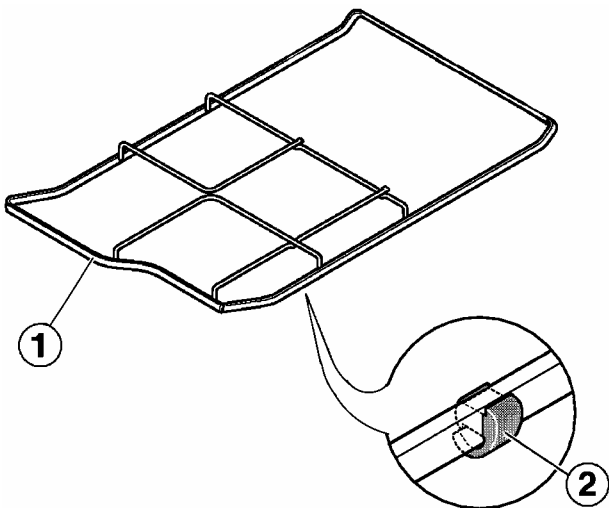


HD001533.TIF

Pic. 30

1 - FLAT IRON PAN-SUPPORT RACK
 2 - GOMMINO COD. **50 247 058 00/6**

PAN-SUPPORT RACK TYPE
354 61 40 03/3 1 RIGHT BLACK BURNER

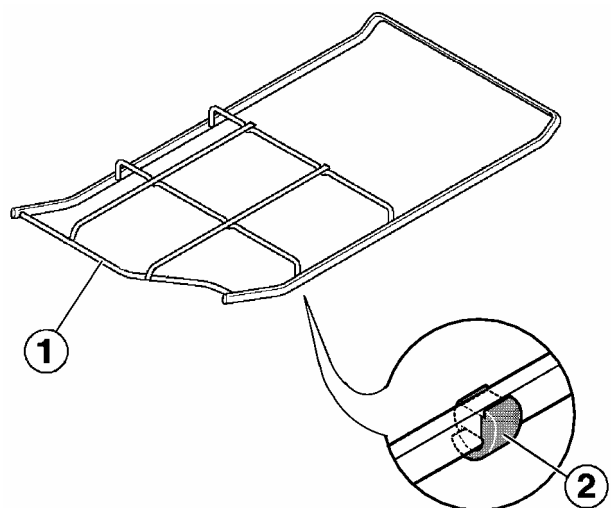


HD001534.TIF

Pic. 31

1 - BAR PAN-SUPPORT RACK
 2 - RUBBER NO. **50 247 058 00/6**

PAN-SUPPORT RACK TYPE
354 61 32 03/0 1 LEFT BLACK BURNER



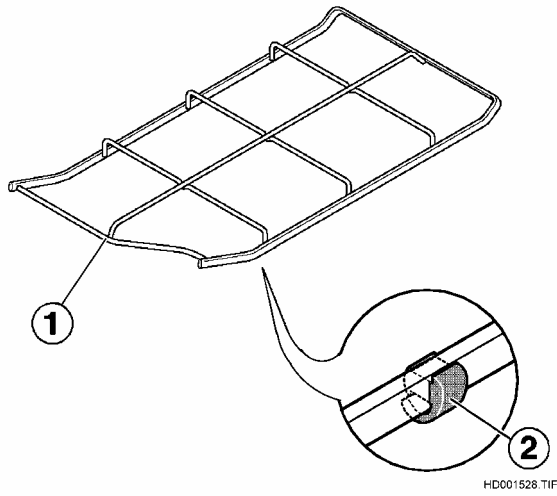
HD001535.TIF

Pic. 32

1 - BAR PAN-SUPPORT RACK
 2 - RUBBER NO. **50 247 058 00/6**



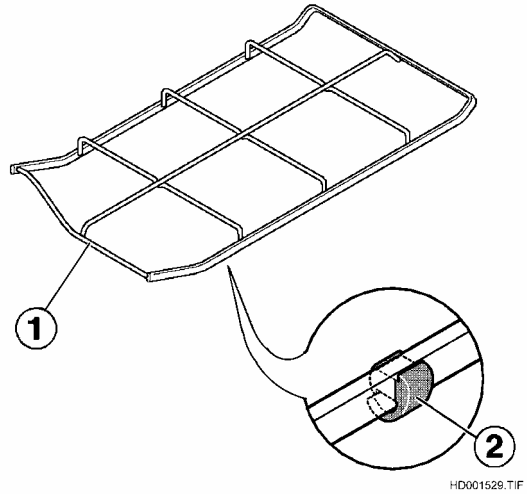
PAN-SUPPORT RACK TYPE
354 61 00 02/9 2 LEFT BLACK BURNERS



Pic. 33

- 1 - BAR PAN-SUPPORT RACK
- 2 - RUBBER NO. **50 268 330 00/3**

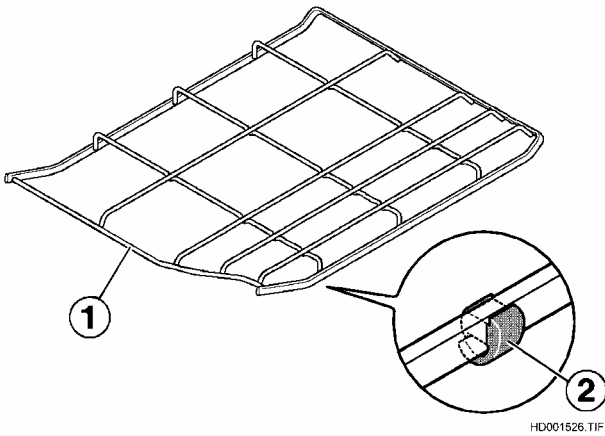
PAN-SUPPORT RACK TYPE
354 61 00 01/1 2 RIGHT BLACK BURNERS



Pic. 34

- 1 - BAR PAN-SUPPORT RACK
- 2 - RUBBER NO. **50 268 330 00/3**

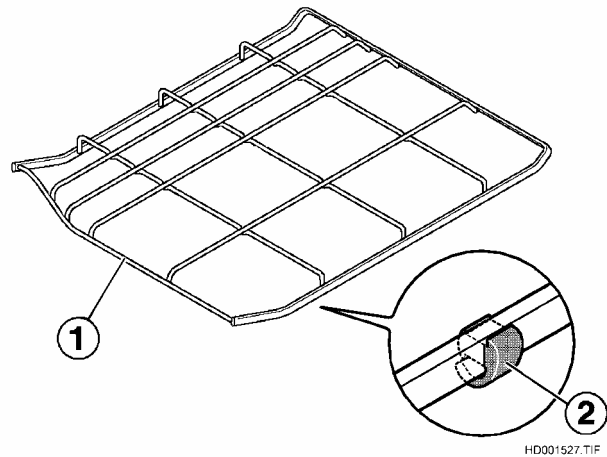
PAN-SUPPORT RACK TYPE
354 61 07 02/4 2 LEFT BLACK BURNERS



Pic. 35

- 1 - BAR PAN-SUPPORT RACK
- 2 - RUBBER NO. **50 268 330 00/3**

PAN-SUPPORT RACK TYPE
354 61 07 01/6 2 RIGHT BLACK BURNERS



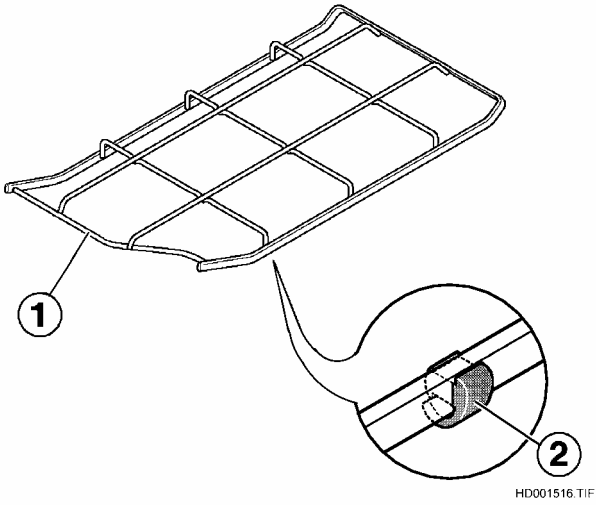
Pic. 36

- 1 - BAR PAN-SUPPORT RACK
- 2 - RUBBER NO. **50 268 330 00/3**

RUBBERS KIT NO. 50 268 330 00/3 FOR FLAT IRON PAN-SUPPORT RACK



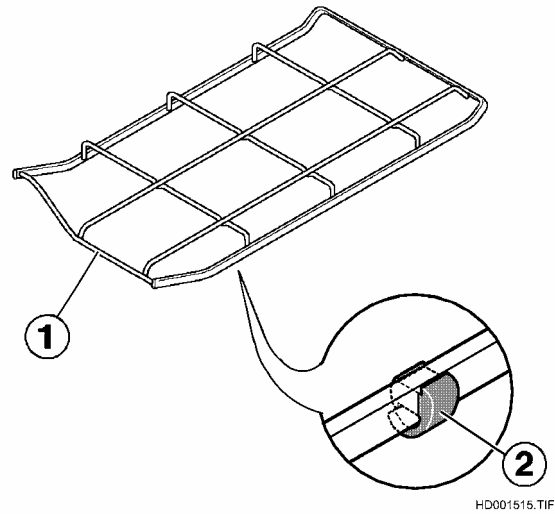
PAN-SUPPORT RACK TYPE
354 61 09 02/0 2 LEFT BLACK BURNERS
(354 61 09 04)



Pic. 37

- 1 - BAR PAN-SUPPORT RACK
- 2 - RUBBER NO. **50 268 330 00/3**

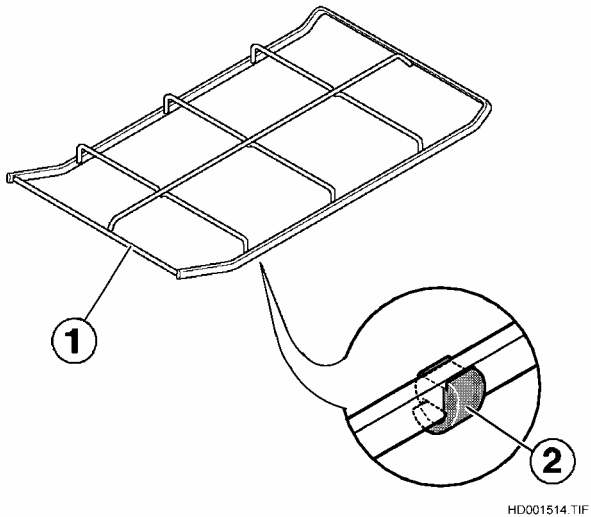
PAN-SUPPORT RACK TYPE
354 61 09 01/2 2 RIGHT BLACK BURNERS
(354 61 09 03)



Pic. 38

- 1 - BAR PAN-SUPPORT RACK
- 2 - RUBBER NO. **50 268 330 00/3**

PAN-SUPPORT RACK NO. TYPE
354 61 10 01/0 1 BLACK BURNER



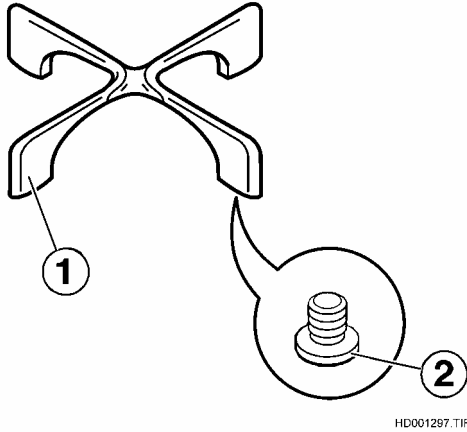
Pic. 39

- 1 - BAR PAN-SUPPORT RACK
- 2 - BIFFER NO. **50 268 330 00/3**

RUBBERS KIT NO. 50 252 309 00/5 FOR CAST IRON PAN-SUPPORT RACKS



PAN-SUPPORT RACK TYPE
354 61 41 01/5 1 BLACK BURNER
354 61 41 02/3 1 BLACK BURNER
354 61 63 02/7 1 BLACK BURNER

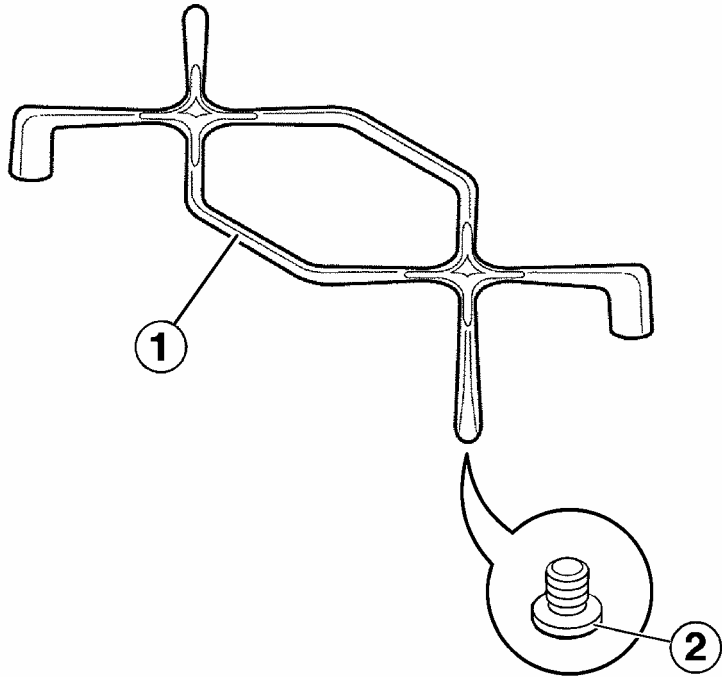


HD001287.TIF

Pic. 40

1 - IRON CAST PAN-SUPPORT RACK
 2 - RUBBER NO. **50 252 309 00/5**

PAN-SUPPORT RACK TYPE
354 61 81 01/1 2 CAST IRON BURNERS

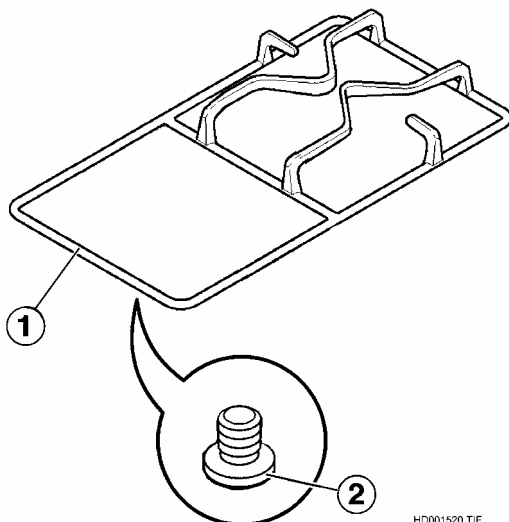


HD001493.TIF

Pic. 41

1 - IRON CAST PAN-SUPPORT RACK
 2 - RUBBER NO. **50 252 309 00/5**

PAN-SUPPORT RACK TYPE
354 61 57 02/9 1 BLACK IRON CAST BURNER
 (354615704)
 (354615706)

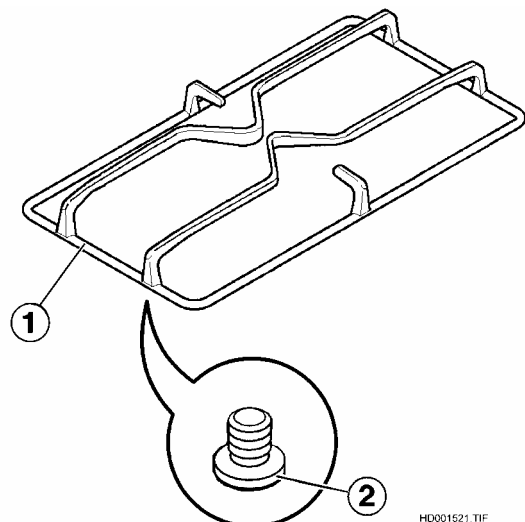


HD001520.TIF

Pic. 42

1 - IRON CAST PAN-SUPPORT RACK
 2 - RUBBER NO. **50 252 309 00/5**

PAN-SUPPORT RACK TYPE
354 61 61 02/1 1 BLACK IRON CAST BURNER



HD001521.TIF

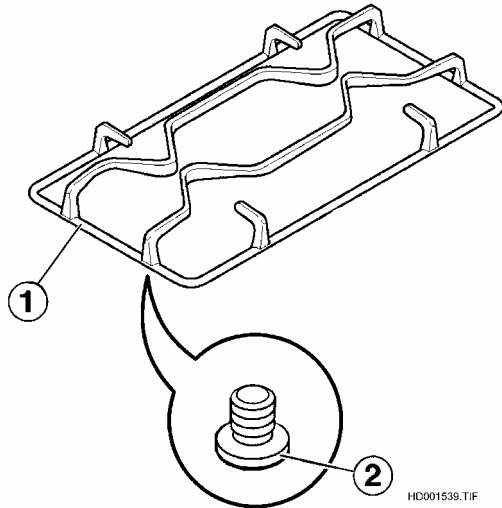
Pic. 43

1 - IRON CAST PAN-SUPPORT RACK
 2 - RUBBER NO. **50 252 309 00/5**

**RUBBERS KIT NO. 50 252 309 00/5
FOR IRON CAST PAN-SUPPORT
RACKS**



PAN-SUPPORT RACK TYPE
354 61 56 01/5 2 BLACK IRON CAST BURNERS
354 61 56 02/1 2 BLACK IRON CAST BURNERS
 (354615604)
 (354615606)
354 61 60 02/3 2 BLACK IRON CAST BURNERS

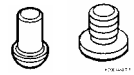


Pic. 44

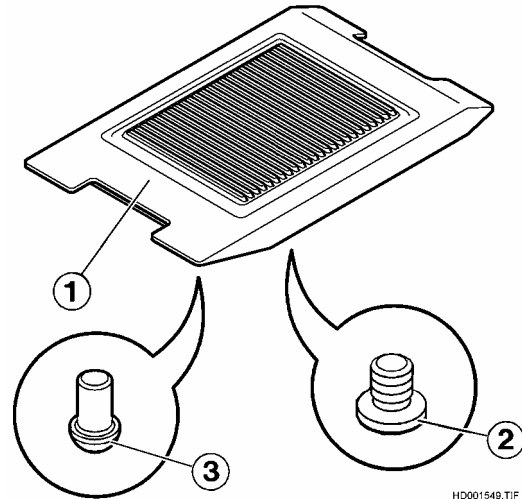
- 1 - IRON CAST PAN-SUPPORT RACK
- 2 - RUBBER NO. **50 252 309 00/5**

HD001539.TIF

**RUBBERS KIT NO. 50 268 837 00/7
AND NO. 50 252 309 00/5**



PAN-SUPPORT RACK TYPE
354 61 62 01/1 IRON CAST GRILL PLATE



Pic. 45

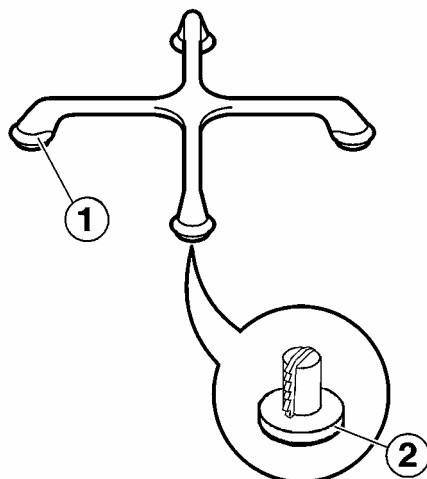
- 1 - IRON CAST GRILL PLATE
- 2 - RUBBER NO. **50 252 309 00/5**
- 2 - RUBBER NO. **50 268 837 00/7**

HD001549.TIF

**RUBBERS KIT NO. 50 268 203 00/2
FOR IRON CAST PAN-SUPPORT
RACKS**



PAN-SUPPORT RACK TYPE
354 61 74 01/6 1 BLACK IRON CAST BURNER



Pic. 46

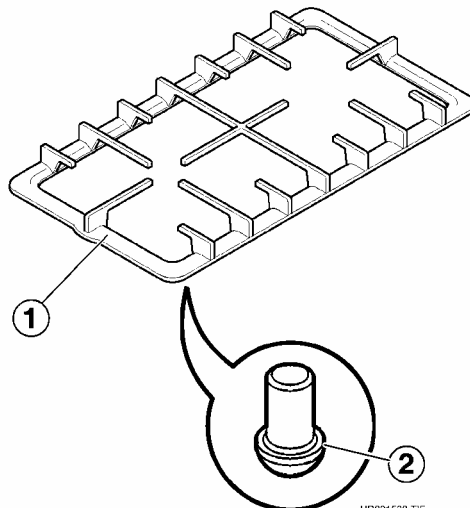
- 1 - IRON CAST PAN-SUPPORT RACK
- 2 - RUBBER NO. **50 268 203 00/2**

HD001492.TIF

**RUBBERS KIT NO. 50 268 837 00/7
FOR IRON CAST PAN-SUPPORT
RACKS**



PAN-SUPPORT RACK TYPE
354 61 83 02/5 2 BLACK IRON CAST BURNERS



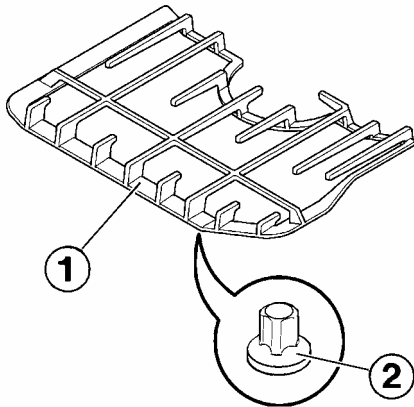
Pic. 47

- 1 - IRON CAST PAN-SUPPORT RACK
- 2 - RUBBER NO. **50 268 837 00/7**

HD001538.TIF



PAN-SUPPORT RACK TYPE
354 61 59 01/7 2 LEFT BLACK BURNERS

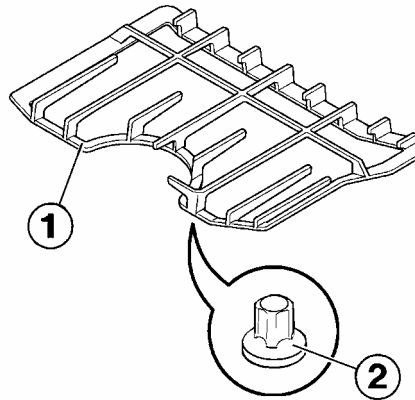


HD001486.TIF

Pic. 48

1 - IRON CAST PAN-SUPPORT RACK
 2 - RUBBER NO. **50 268 202 00/4**

PAN-SUPPORT RACK TYPE
354 61 58 01/9 2 RIGHT BLACK BURNERS

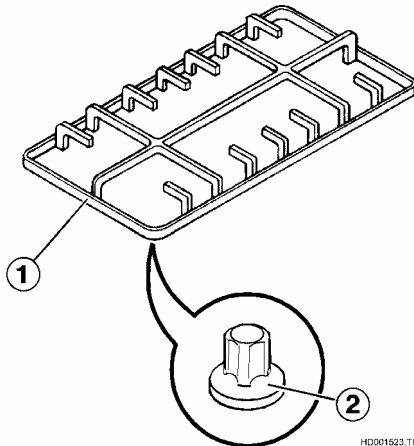


HD001486.TIF

Pic. 49

1 - IRON CAST PAN-SUPPORT RACK
 2 - RUBBER NO. **50 268 202 00/4**

PAN-SUPPORT RACK TYPE
354 60 21 03/5 2 BLACK BURNERS

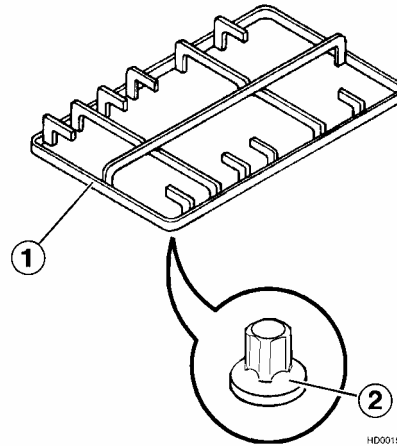


HD001523.TIF

Pic. 50

1 - IRON CAST PAN-SUPPORT RACK
 2 - RUBBER NO. **50 268 202 00/4**

PAN-SUPPORT RACK TYPE
354 60 20 03/7 2 BLACK BURNERS



HD001524.TIF

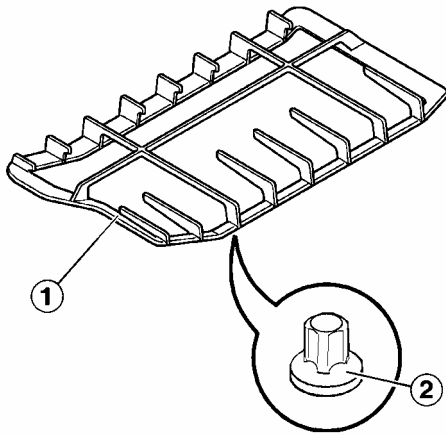
Pic. 51

1 - IRON CAST PAN-SUPPORT RACK
 2 - RUBBER NO. **50 268 202 00/4**

RUBBERS KIT NO. 50 268 202 00/4 FOR IRON CAST PAN-SUPPORT RACKS



PAN-SUPPORT RACK TYPE
354 61 25 02/6 2 LEFT BLACK BURNERS
 (354 61 25 04)

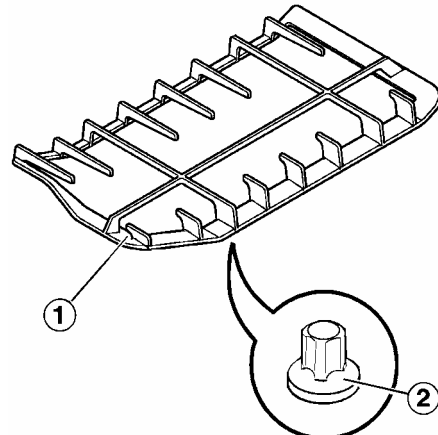


Pic. 53

1 - IRON CAST PAN-SUPPORT RACK
 2 - RUBBER NO. **50 268 202 00/4**

HD001517.TIF

PAN-SUPPORT RACK TYPE
354 61 25 01/8 2 RIGHT BLACK BURNERS
 (354 61 25 03)

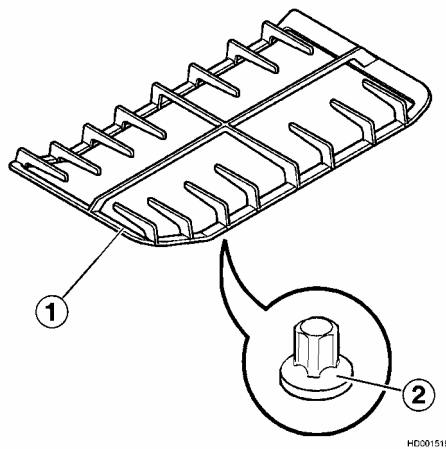


Pic. 54

1 - IRON CAST PAN-SUPPORT RACK
 2 - RUBBER NO. **50 268 202 00/4**

HD001518.TIF

PAN-SUPPORT RACK TYPE
354 61 55 02/3 2 CENTRAL BLACK BURNERS

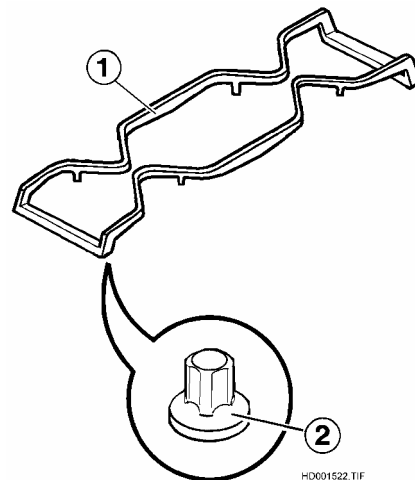


Pic. 54

1 - IRON CAST PAN-SUPPORT RACK
 2 - RUBBER NO. **50 268 202 00/4**

HD001519.TIF

PAN-SUPPORT RACK TYPE
354 61 67 02/8 2 BLACK BURNERS



Pic. 55

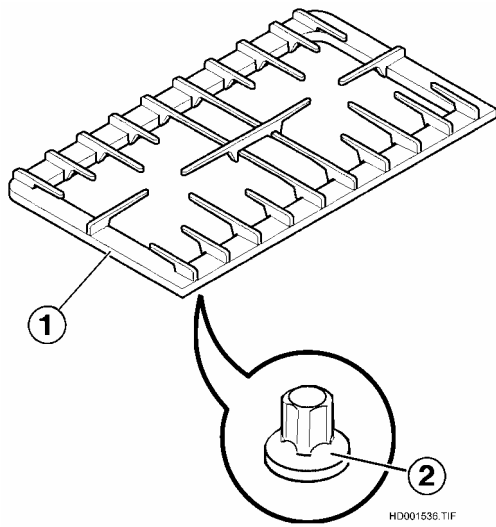
1 - IRON CAST PAN-SUPPORT RACK
 2 - RUBBER NO. **50 268 202 00/4**

HD001522.TIF

RUBBERS KIT NO. 50 268 202 00/4 FOR IRON CAST PAN-SUPPORT RACKS



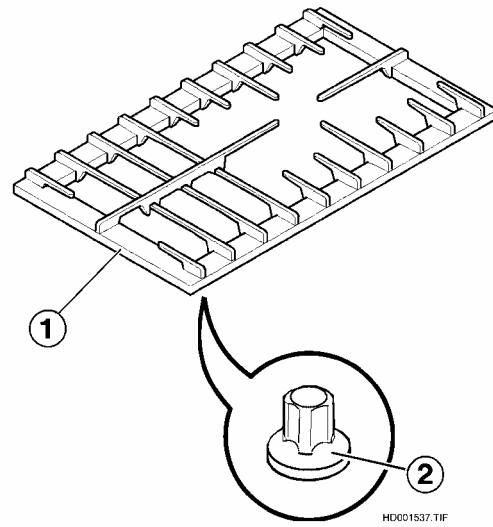
PAN-SUPPORT RACK TYPE
354 61 79 04/9 2 BLACK BURNERS



Pic. 56

- 1 - IRON CAST PAN-SUPPORT RACK
- 2 - RUBBER NO. **50 268 202 00/4**

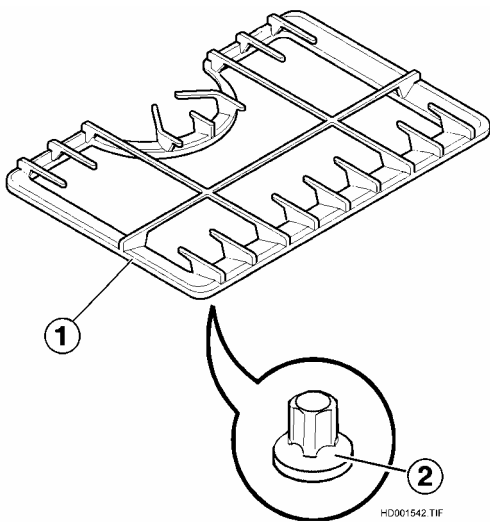
PAN-SUPPORT RACK TYPE
354 61 80 04/7 1 BLACK BURNER



Pic. 57

- 1 - IRON CAST PAN-SUPPORT RACK
- 2 - RUBBER NO. **50 268 202 00/4**

PAN-SUPPORT RACK TYPE
354 61 37 02/1 2 BLACK IRON CAST BURNERS



Pic. 58

- 1 - IRON CAST PAN-SUPPORT RACK
- 2 - RUBBER NO. **50 268 202 00/4**

Please find below a summary of the pan-support racks with the corresponding rubbers kit:

| Pan-support rack | Type | Rubbers kit no. | Picture | Page |
|-------------------------|-------------------------------|------------------------|----------------|-------------|
| 354 60 20 03/7 | 2 BLACK BURNERS | 50 268 202 00/4 | 51 | 14 |
| 354 60 21 03/5 | 2 BLACK BURNERS | 50 268 202 00/4 | 50 | 14 |
| 354 60 31 01/8 | 2 BROWN BURNERS | 50 247 058 00/6 | 13 | 5 |
| 354 60 31 02/6 | 2 BLACK BURNERS | 50 247 058 00/6 | 13 | 5 |
| 354 60 32 01/6 | 2 BROWN BURNERS | 50 247 058 00/6 | 13 | 5 |
| 354 60 32 02/4 | 2 BLACK BURNERS | 50 247 058 00/6 | 13 | 5 |
| 354 60 33 01/4 | 2 BROWN BURNERS | 50 247 058 00/6 | 14 | 5 |
| 354 60 33 02/2 | 2 BLACK BURNERS | 50 247 058 00/6 | 14 | 5 |
| 354 60 34 01/2 | 2 BROWN BURNERS | 50 247 058 00/6 | 14 | 5 |
| 354 60 34 02/0 | 2 BLACK BURNERS | 50 247 058 00/6 | 14 | 5 |
| 354 60 35 01/9 | 1 BROWN BURNER | 50 247 058 00/6 | 15 | 5 |
| 354 60 35 02/7 | 1 BLACK BURNER | 50 247 058 00/6 | 15 | 5 |
| 354 60 36 01/7 | 1 BROWN BURNER | 50 247 058 00/6 | 15 | 5 |
| 354 60 36 02/5 | 1 BLACK BURNER | 50 247 058 00/6 | 15 | 5 |
| 354 60 37 01/5 | 2 BROWN BURNERS | 50 247 058 00/6 | 16 | 5 |
| 354 60 37 02/3 | 2 BLACK BURNERS | 50 247 058 00/6 | 16 | 5 |
| 354 60 38 01/3 | 2 BROWN BURNERS | 50 247 058 00/6 | 16 | 5 |
| 354 60 38 02/1 | 2 BLACK BURNERS | 50 247 058 00/6 | 16 | 5 |
| 354 60 55 02/5 | 2 BLACK BURNERS | 50 247 058 00/6 | 9 | 4 |
| 354 60 55 03/3 | 2 BROWN BURNERS | 50 247 058 00/6 | 9 | 4 |
| 354 60 62 05/4 | 2 BLACK BURNERS | 50 247 058 00/6 | 17 | 6 |
| 354 60 68 02/8 | 2 BLACK BURNERS | 50 247 058 00/6 | 6 | 3 |
| 354 60 69 02/6 | 2 BLACK BURNERS | 50 247 058 00/6 | 6 | 3 |
| 354 60 76 02/1 | 2 BROWN BURNERS | 50 247 058 00/6 | 18 | 6 |
| 354 60 76 03/9 | 2 BLACK BURNERS | 50 247 058 00/6 | 18 | 6 |
| 354 60 82 04/5 | 2 BLACK BURNERS | 50 247 058 00/6 | 19 | 6 |
| 354 60 83 02/7 | 2 BLACK BURNERS | 50 247 058 00/6 | 20 | 6 |
| 354 60 83 04/3 | 2 BLACK BURNERS | 50 247 058 00/6 | 20 | 6 |
| 354 60 84 02/5 | 2 BLACK BURNERS | 50 247 058 00/6 | 9 | 4 |
| 354 60 84 03/3 | 2 BROWN BURNERS | 50 247 058 00/6 | 9 | 4 |
| 354 60 85 02/2 | 2 BROWN BURNERS | 50 247 058 00/6 | 18 | 6 |
| 354 60 85 03/0 | 2 BLACK BURNERS | 50 247 058 00/6 | 18 | 6 |
| 354 60 89 02/4 | 2 BLACK BURNERS | 50 247 058 00/6 | 2 | 2 |
| 354 60 90 02/2 | 2 BLACK BURNERS | 50 247 058 00/6 | 19 | 6 |
| 354 60 90 06/3 | 2 BLACK BURNERS | 50 247 058 00/6 | 19 | 6 |
| 354 60 97 02/7 | 2 BLACK BURNERS | 50 247 058 00/6 | 18 | 6 |
| 354 60 98 02/5 | 1 BLACK BURNER FOR FISH | 50 247 058 00/6 | 21 | 7 |
| 354 61 00 01/1 | 2 RIGHT BLACK BURNERS | 50 268 330 00/3 | 34 | 10 |
| 354 61 00 02/9 | 2 LEFT BLACK BURNERS | 50 268 330 00/3 | 33 | 10 |
| 354 61 04 02/1 | 2 BLACK BURNERS | 50 247 058 00/6 | 12 | 4 |
| 354 61 04 04/7 | 2 CHROME PLATED BURNERS | 50 247 058 00/6 | 12 | 4 |
| 354 61 05 02/8 | 1 BLACK BURNER | 50 247 058 00/6 | 11 | 4 |
| 354 61 07 01/6 | 2 RIGHT BLACK BURNERS | 50 268 330 00/3 | 36 | 10 |
| 354 61 07 02/4 | 2 LEFT BLACK BURNERS | 50 268 330 00/3 | 35 | 10 |
| 354 61 09 01/2 | 2 RIGHT BLACK BURNERS | 50 268 330 00/3 | 38 | 11 |
| 354 61 09 02/0 | 2 LEFT BLACK BURNERS | 50 268 330 00/3 | 37 | 11 |
| 354 61 10 01/0 | 1 BLACK BURNER | 50 268 330 00/3 | 39 | 11 |
| 354 61 11 02/6 | 1 BLACK BURNER | 50 247 058 00/6 | 1 | 2 |
| 354 61 25 01/8 | 2 RIGHT BLACK BURNERS | 50 268 202 00/4 | 54 | 15 |
| 354 61 25 02/6 | 2 LEFT BLACK BURNERS | 50 268 202 00/4 | 53 | 15 |
| 354 61 26 05/7 | 2 RIGHT BLACK BURNERS | 50 247 058 00/6 | 24 | 7 |
| 354 61 26 06/5 | 2 LEFT BLACK BURNERS | 50 247 058 00/6 | 23 | 7 |
| 354 61 27 02/2 | 2 BLACK BURNERS (WID. 255 mm) | 50 247 058 00/6 | 3 | 2 |
| 354 61 32 03/0 | 1 LEFT BURNER | 50 247 058 00/6 | 32 | 9 |
| 354 61 37 02/1 | 2 BLACK IRON CAST BURNERS | 50 268 202 00/4 | 58 | 16 |
| 354 61 39 05/0 | 2 RIGHT CHROME PLATED BURN. | 50 247 058 00/6 | 30 | 9 |
| 354 61 39 06/8 | 2 LEFT CHROME PLATED BURN. | 50 247 058 00/6 | 29 | 9 |
| 354 61 40 03/3 | 1 RIGHT BLACK BURNER | 50 247 058 00/6 | 31 | 9 |
| 354 61 41 01/5 | 1 BLACK IRON CAST BURNER | 50 252 309 00/5 | 40 | 12 |
| 354 61 41 02/3 | 1 BLACK IRON CAST BURNER | 50 252 309 00/5 | 40 | 12 |
| 354 61 44 02/7 | 2 BLACK BURNERS | 50 247 058 00/6 | 10 | 4 |

| | | | | |
|--------------------|-------------------------------|-----------------------|----|----|
| 354 61 51 02/2 | 2 BLACK BURNERS (WID. 232 mm) | 50 247 058 00/6 | 3 | 2 |
| 354 61 54 01/8 | 1 CENTRAL BLACK BURNER | 50 247 058 00/6 | 27 | 8 |
| 354 61 55 02/3 | 2 CENTRAL BLACK BURNERS | 50 268 202 00/4 | 54 | 15 |
| 354 61 56 01/5 | 2 BLACK IRON CAST BURNERS | 50 252 309 00/5 | 44 | 13 |
| 354 61 56 02/1 | 2 BLACK IRON CAST BURNERS | 50 252 309 00/5 | 44 | 13 |
| 354 61 57 02/9 | 1 BLACK IRON CAST BURNER | 50 252 309 00/5 | 42 | 12 |
| 354 61 58 01/9 | 2 RIGHT BLACK BURNERS | 50 268 202 00/4 | 49 | 14 |
| 354 61 59 01/7 | 2 LEFT BLACK BURNERS | 50 268 202 00/4 | 48 | 14 |
| 354 61 60 02/3 | 2 BLACK IRON CAST BURNERS | 50 252 309 00/5 | 44 | 13 |
| 354 61 61 02/1 | 1 BLACK IRON CAST BURNER | 50 252 309 00/5 | 43 | 12 |
| 354 61 62 01/1 (*) | IRON CAST GRILL PLATE | 50 268 837 00/7 (**) | 45 | 13 |
| | | 50 252 309 00/5 (***) | 45 | 13 |
| 354 61 63 02/7 | 1 BLACK BURNER | 50 252 309 00/5 | 40 | 12 |
| 354 61 64 01/7 | 2 RIGHT BLACK BURNERS | 50 247 058 00/6 | 30 | 9 |
| 354 61 64 02/5 | 2 LEFT BLACK BURNERS | 50 247 058 00/6 | 29 | 9 |
| 354 61 64 03/3 | 2 RIGHT CHROME PLATED BURN. | 50 247 058 00/6 | 30 | 9 |
| 354 61 64 04/1 | 2 LEFT CHROME PLATED BURN. | 50 247 058 00/6 | 29 | 9 |
| 354 61 65 01/4 | 1 CENTRAL BLACK BURNER | 50 247 058 00/6 | 28 | 8 |
| 354 61 65 02/2 | 1 CENTRAL CHROME PLATED BUR | 50 247 058 00/6 | 28 | 8 |
| 354 61 66 02/0 | 1 CENTRAL CHROME PLATED BUR | 50 247 058 00/6 | 28 | 8 |
| 354 61 67 02/8 | 2 BLACK BURNERS | 50 268 202 00/4 | 55 | 15 |
| 354 61 69 01/6 | 2 RIGHT BLACK BURNERS | 50 247 058 00/6 | 26 | 8 |
| 354 61 69 02/4 | 2 LEFT BLACK BURNERS | 50 247 058 00/6 | 25 | 8 |
| 354 61 70 01/4 | 1 CENTRAL BLACK BURNER | 50 247 058 00/6 | 27 | 8 |
| 354 61 71 01/2 | 1 BLACK BURNER FOR FISH | 50 247 058 00/6 | 22 | 7 |
| 354 61 72 02/8 | 1 BLACK BURNER | 50 247 058 00/6 | 5 | 3 |
| 354 61 74 01/6 | 1 BLACK IRON CAST BURNERS | 50 268 203 00/2 | 46 | 13 |
| 354 61 75 01/3 | 2 BLACK BURNERS | 50 247 058 00/6 | 8 | 3 |
| 354 61 76 01/1 | 1 BLACK BURNER | 50 247 058 00/6 | 7 | 3 |
| 354 61 77 01/9 | 2 BLACK BURNERS | 50 247 058 00/6 | 4 | 2 |
| 354 61 79 04/9 | 2 BLACK BURNERS | 50 268 202 00/4 | 56 | 16 |
| 354 61 80 04/7 | 1 BLACK BURNER | 50 268 202 00/4 | 57 | 16 |
| 354 61 81 01/1 | 2 IRON CAST BURNERS | 50 252 309 00/5 | 41 | 12 |
| 354 61 83 02/5 | 2 BLACK IRON CAST BURNERS | 50 268 837 00/7 | 47 | 13 |
| 354 61 96 01/9 | 2 BLACK BURNERS | 50 247 058 00/6 | 8 | 3 |

NOTE: (*) 4 small rubbers (**) and 4 big rubbers (***) are mounted on this grill plate.