

Description off pyrolytic doorlock

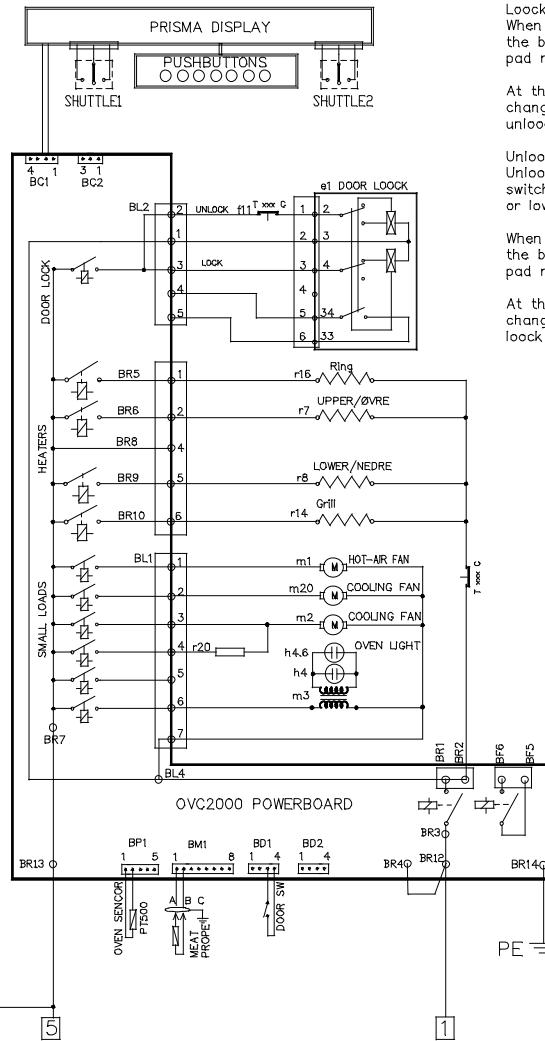
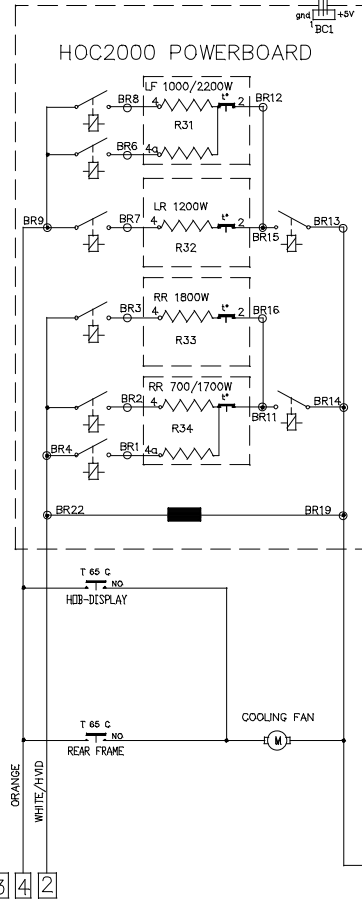
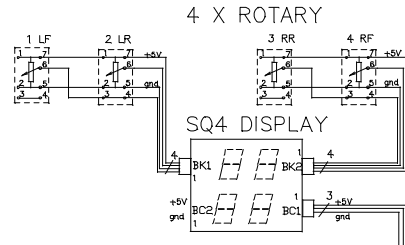
The Doorlock is shown in unlocked position.
 Locking:
 When power is applied to terminal 3 and 4, the bimetal heater element makes a mechanical pad move to the right. Thereby blocking the door.

At the same time the 3 internal switches changes position, the doorlock is now ready for the unlock procedure.

Unlocking:
 Unlocking kan only occur when thermal protection switch T 130 C is closed = oven temp. approx. 310 C. or lower.

When power is applied to terminal 2 and 3, the bimetal heater element makes a mechanical pad move to the left. Thereby releasing the door.

At the same time the 3 internal switches changes position, the doorlock is now ready for the lock procedure.



This drawing contains confidential information and must be kept confidential. It is the property of Electrolux Home Products Fredericia and is loaned to a third party or otherwise used and if it is copied, reproduced, distributed or otherwise disclosed, the user will be held responsible for this drawing.

Visible surfaces, which must be under capability of draft angles (not shown):
 Visible surfaces.
 Draft angles (not shown).

THEORETICAL FLAT AREA	
DEVELOPED FLAT AREA	
GENERAL TOLERANCES	
ANGLES	
LENGTHS AND DIAMETERS	

TYPE: CAL400	
MODEL ELK9200-al	PRODUCT NO. 948 203 035

WIRINGSET/LEDNINGSSÆT : 325 805550/805570

MODIFICATIONS	DATE
HH	PB 2005-11-10
PBS	

MATERIAL	DESIGN	SCALE	1:1
TREATMENT	DESIGN USERS	REPLACES	
DESIGN OWNER	DRN	CHD	PB
DKK	HH	APPR.	
DATE	2005-11-10	SERVED FROM	
		SUPPLY SPECIFICATIONS	
TITLE		NG COOKER CERAN	
		NG STAINLESS KOMFUR	
NUMBER		325 90 21 49	
REV		A	

Electrolux
HOME PRODUCTS DENMARK