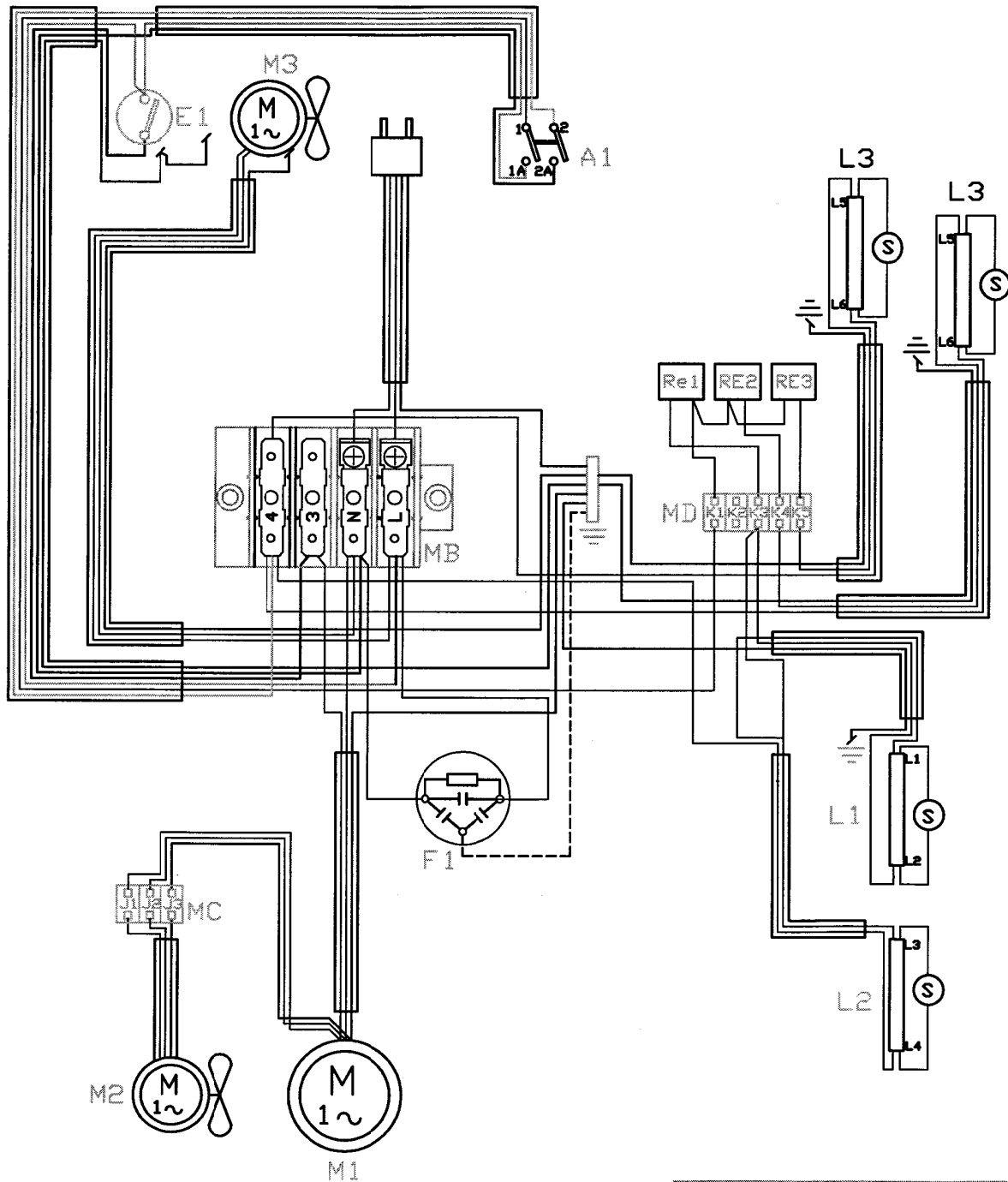


THE ITEM IS SHOWN IN THE ORIGINAL POSITION AND IS NOT TO BE CONSIDERED AS A REPRESENTATIVE OF THE COMPANY OR ADMINISTRATION.

This drawing shows the connections between the components in the property of the manufacturer. It is not to be used as a basis for a technical project or for the construction of a product. It is the responsibility of the user to verify the compatibility of the components and to ensure that the connections are made in accordance with the instructions.

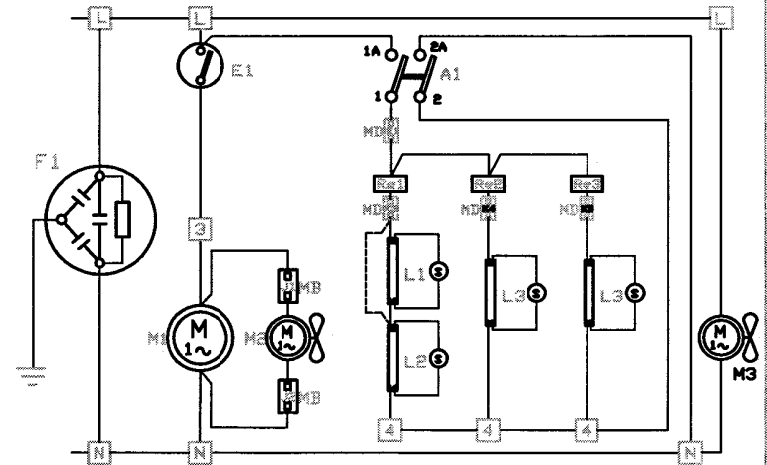
GENERAL TELEPHONE NUMBER: 02/4780001
 ADDRESS: VIA S. PIETRO, 10 - 20122 MILANO
 LEGNANO AND BIANCAMANO: VIA S. PIETRO, 10 - 20122 MILANO
 TELEFAX: 02/4780001



- LEGENDA**
- A1 : INTERRUPTORE LUCI NEON
 - F1 : TERMOSTATO CELLA
 - F1 : FILTRO ANTIDISTURBO (NON NELLE VERSIONI CINA)
 - H : CONNETTORE UNA VIA
 - L1 : LUCE CELLA (*)
 - L2 : LUCE PANNELLO PUBBLICITARIO
 - L3 : LUCE INTERNA VERTICALE (*)
 - MB : MORSETTIERA PRINCIPALE
 - MC-MD : MORSETTIERA DI COLLEGAMENTO
 - M1 : COMPRESSORE
 - M2 : VENTILATORE CONDENSATORE
 - M3 : VENTILATORE CELLA
 - RE1-2 : REATTORI LUCI NEON
 - S : STARTERS LUCI NEON

- LEGEND**
- A1 : LIGHT SWITCH
 - F1 : STORAGE COMPARTMENT THERMOSTAT
 - F1 : RADIO INTERFERENCE SUPPRESSOR (EXCEPT FOR CHINA VERSION)
 - H : FAST CONNECTOR
 - L1 : STORAGE COMPARTMENT LIGHT (*)
 - L2 : PUBLICITY PANEL LIGHT
 - L3 : VERTICAL STORAGE COMPARTMENT LIGHT (*)
 - MB : MAIN TERMINAL BOARD
 - MC-MD : CONNECTED TERMINAL BOARD
 - M1 : COMPRESSOR
 - M2 : CONDENSER FAN
 - M3 : STORAGE COMPARTMENT FAN
 - RE1-2 : BALLAST
 - S : STARTER

(*) : DIPENDE DALLA VERSIONE
 DEPENDS BY THE VERSION



Updated type line of the drawing		Gastaldin	R&D	11/04/01
Eliminato connettore "H" e aggiunto morsetti MD		Gastaldin	R&D	27/09/00
MATERIAL		MODIFICATION	SIGNATURE	REQUEST
TREATMENT		SCALE	0.5	EUROPEAN
SECTION NUMBER		REPLACES	NO	
VT		RECEIVED FROM	NO	
GASTALDIN		SUPPLY SPECIFICATIONS	NO	
DATE		TITLE		
08/08/2000		SCHEMA ELETTRICO WIRING DIAGRAM		
220...240V 50 HZ		NUMBER		
		604780001		