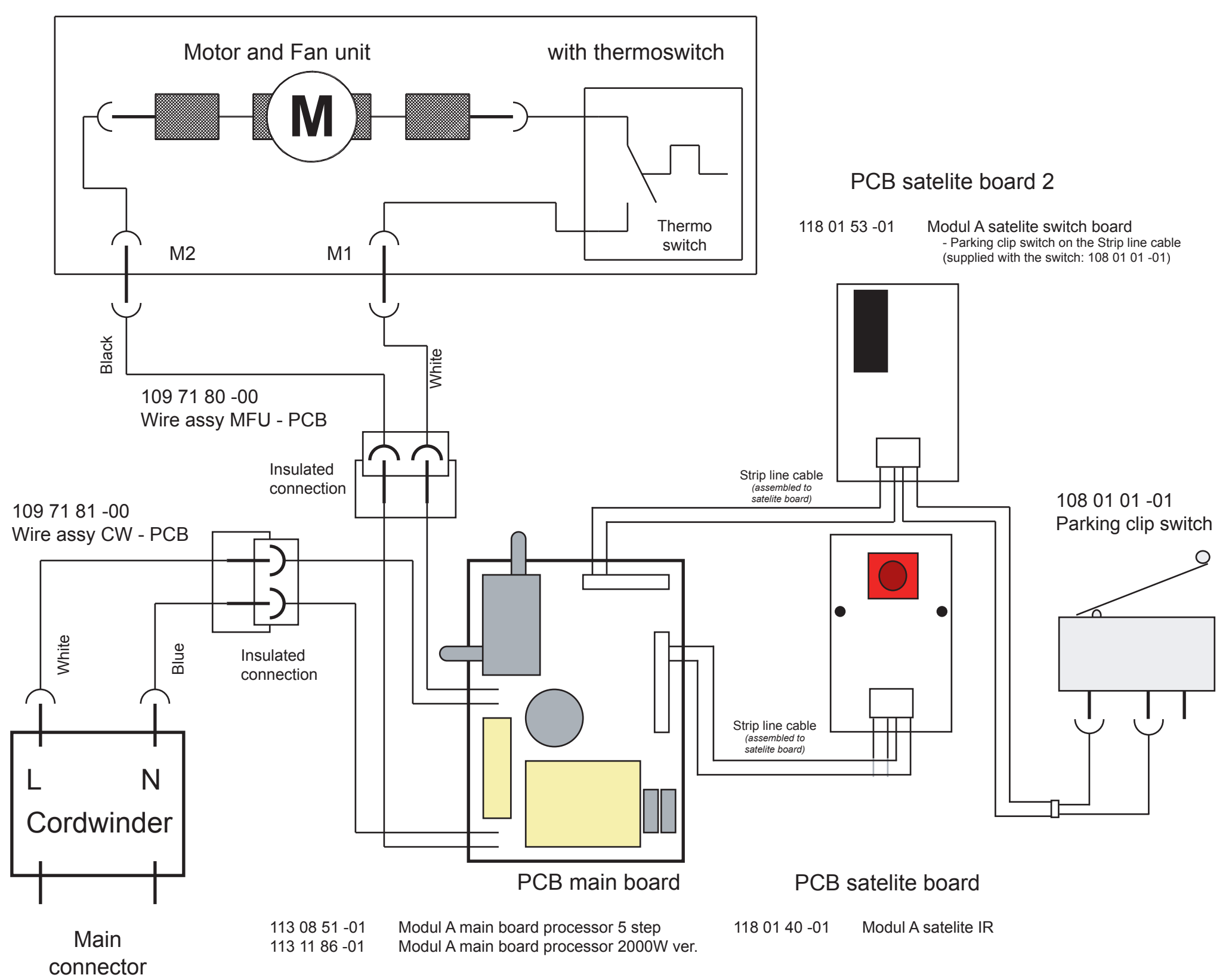


This drawing contains confidential information and is the property of Electrolux, without whose permission it may not be copied, shown or handed to a third party or otherwise used and it is to be returned promptly upon request to the design owner, who is responsible for the drawing.

Items shown in this drawing must not contain substances that are banned according to Directive, 2002/95/EC, the RoHS Directive (Lead, Cadmium, Mercury, hexavalent Chromium, PBB and PBDE), or substances classified as "Banned" or "Restricted" according to the Electrolux Restricted Materials List.

[2] Critical dimensions which must be under capability SAFETY REQUIREMENT
 --- Visible surfaces.
 - - - Draft angles (not shown):

MKM 3434 -5 □ 109 65 41 -03
 MKM 3440 □ 109 65 41 -06 □ 2000W version



THEORETICAL FLAT AREA	
DEVELOPED FLAT AREA	
GENERAL TOLERANCES	
ANGLES	
LENGTHS AND DIAMETERS	

POS	MODIFICATIONS			SIGNATURE	REQUEST	DATE
MATERIAL	MODEL		SCALE	EUROPEAN METHOD		
TREATMENT	WEIGHT		DESIGN USERS	REPLACES No		
DESIGN OWNER	DRN	CHD	DATE	DERIVED FROM No		
HUV	Vámos	APPR	2004-12-13	SUPPLY SPECIFICATIONS No		
				TITLE		
				Wiring Diagram: Red Fox Infra Red version Kapcsolási vázlat: Red Fox Infra Red verzió		
NUMBER		SHEET	REV			
219 17 51		1 / 1				