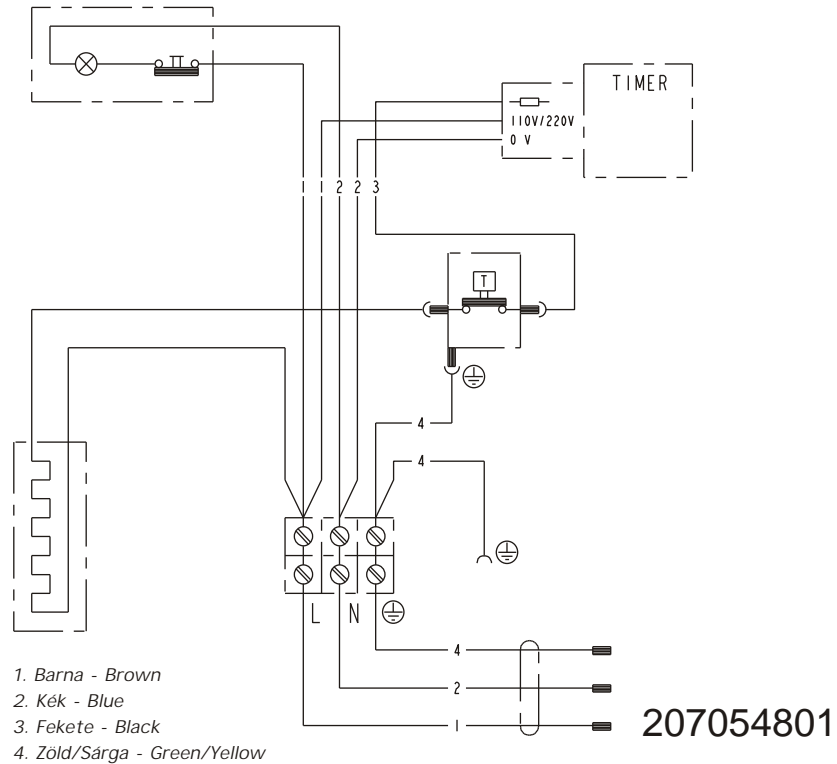
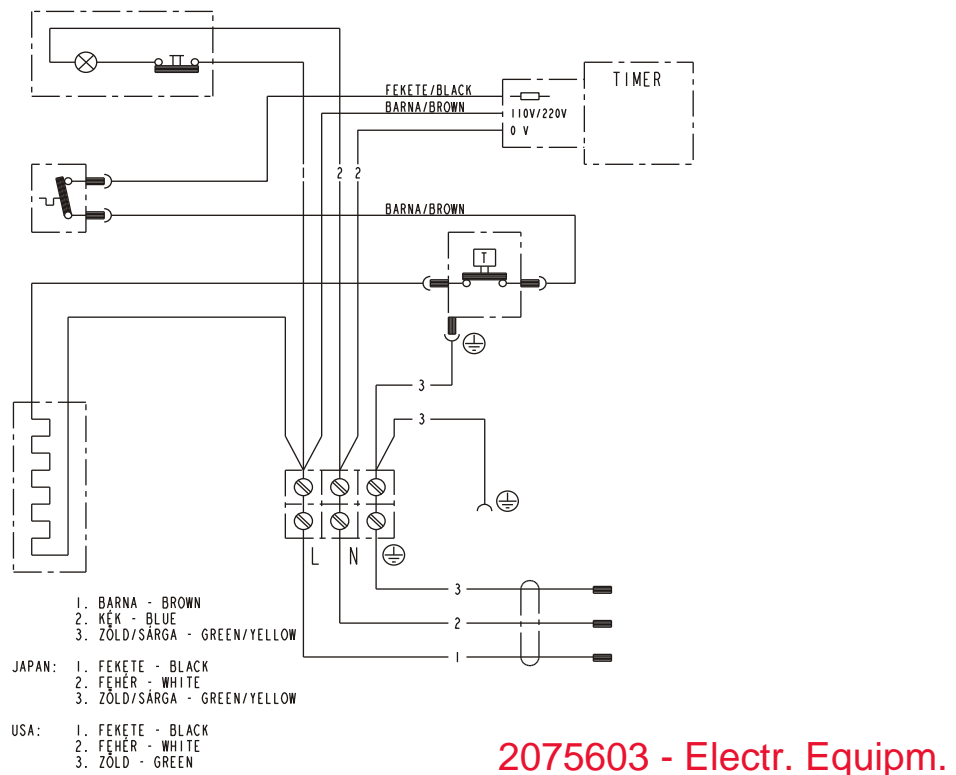


Wiring diagram without themofuse



Wiring diagram with thermofuse (from 2002.04. -)



Pp207054801