

Items shown in this drawing must not contain substances that are banned according to Directive, 2002/95/EC, the RoHS Directive (Lead, Cadmium, Mercury, hexavalent Chromium, PBB and PBDE), or substances classified as "Banned" or "Restricted" according to the Electrolux Restricted Materials List.

Critical dimensions which must be under capability

GENERAL TOLERANCES
 ANGLES
 LENGTHS AND DIAMETERS

This drawing contains confidential information and is the property of Electrolux, without whose permission it may not be copied, shown or handed to a third party or otherwise used and it is to be returned promptly upon request to the design owner, who is responsible for the drawing.

Megjegyzés/Notes:

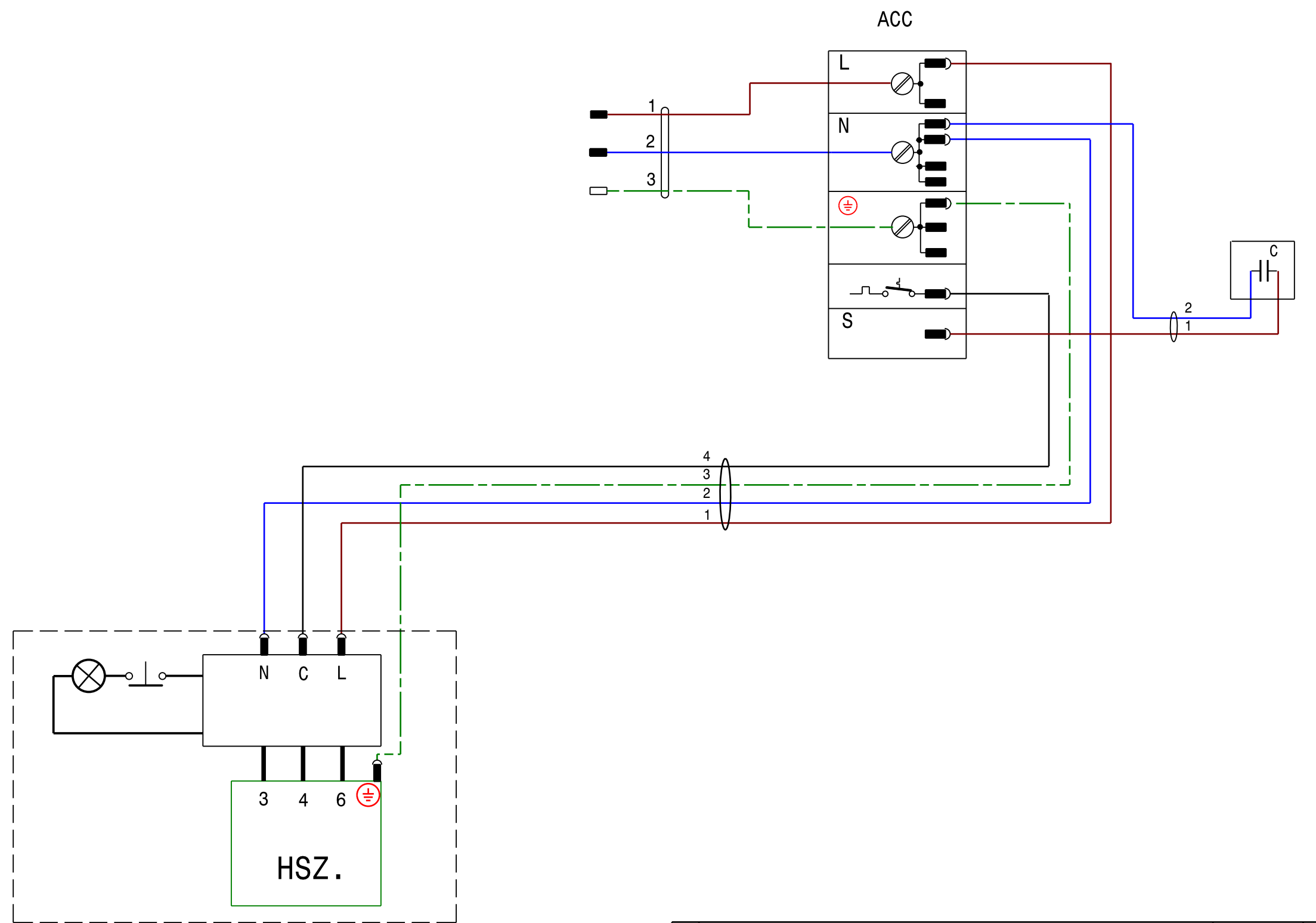
A kondenzátor szükségességét lásd a vonatkozó darabjegyzékben.
 Necessity of running capacitor see in BOM.

Színjelölések:

Colours of wires:

- 1 Barna / Brown
- 2 Kék / Blue
- 3 Zöld-Sárga / Green-Yellow
- 4 Fekete / Black
- 5 Fehér / White
- 6 Szürke / Gray

CB-Z1C



SAFETY RISKS

2426366-03	-	CB400	HQY12AA
2426366-02	-	CB330 CB380	HQY11AA
2426366-01	-	CB290	HQY90AA
DRAWING No.	REPLACED No.	MODEL	COMPRESSOR

-	-	-	-	-	-
VARIANT NUMBER	REPLACED NUMBER	POS.	MODEL	DESIGN USERS	CHANGES FROM THE BASE NUMBER

B	MIDG00000031G, DRAWING MODIF. / RAJZFELÜLVIZSG.	Zöldi M.	Szegedi	2004-08-16
A	MIDG00000025G, NEW DRAWING / UJ RAJZ	Zöldi M.	Cserháti	2004-07-26
POS.	MODIFICATIONS	SIGNATURE	REQUEST	DATE
MATERIAL	-	MODEL	-	SCALE
TREATMENT	-	DESIGN USERS	-	REPLACES
WEIGHT	- Kg.	DERIVED FROM	-	SUPPLY SPECIFICATIONS
DESIGN OWNER	DRNZöldi M.	CHD Sepsi	2D ONLY	X
HUY	DATE 2004/07/22	APPR Cserháti	CONCEPT 3D	-
TITLE		WIRING SCHEME		
NUMBER		KAPCSOLASI RAJZ		
2426366		REV B		
SHEET		1 / 1		

