

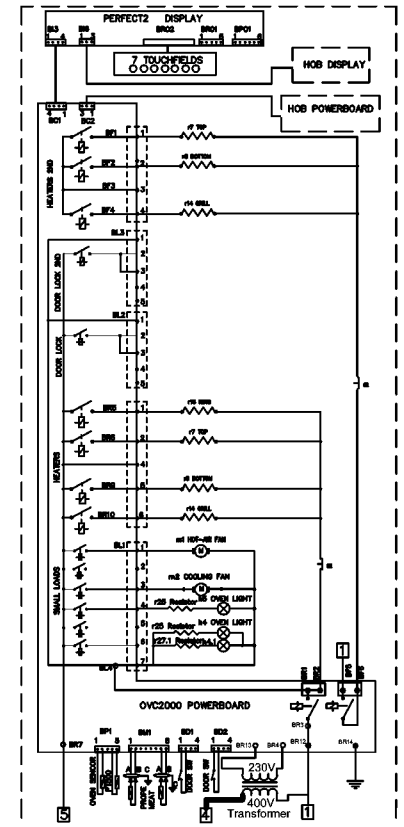
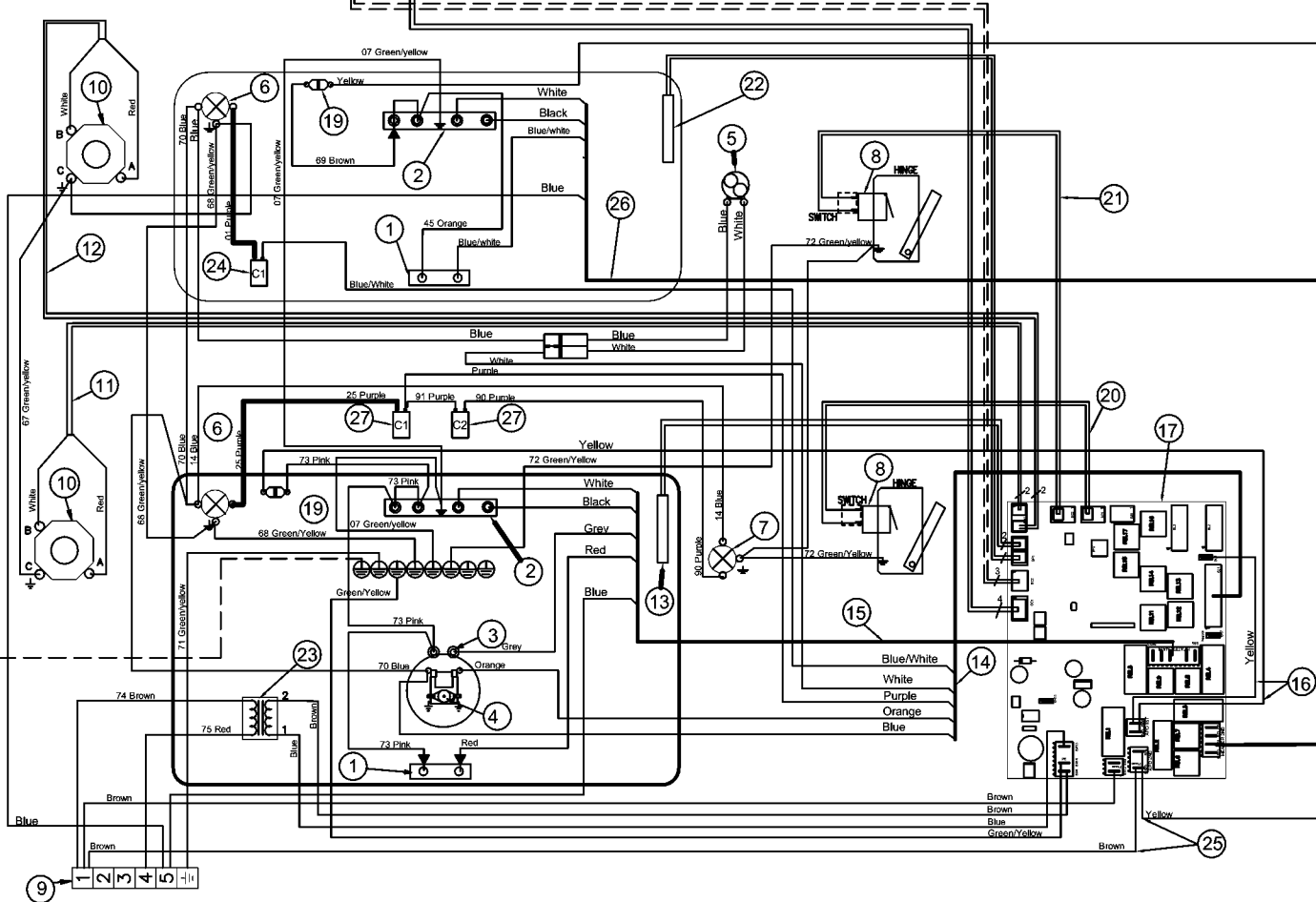
# SEE HOB DIAGRAM

3 pin signalwire from hob displayboard.

3 pin signalwire from hob powerboard.

Perfect 2 UI

Touch board



Pos No	Components
29	1 Touch board
28	1 Ribbon cable
27	2 Capacitor oven lamp 25W+40W
26	1 Wire set heater TO
25	1 Wire set APD
24	1 Capacitor oven lamp 40W
23	1 Transformer 400V/230V
22	1 Oven PT500 sensor TO
21	1 Wire set Light switch TO
20	1 Wire set Light switch MO
18	2 Heat protector
18	1 Display
17	1 OVC 2000 power board
16	1 Wire set APD
15	1 Wire set heater MO
14	1 Wire set small loads
13	1 Oven PT500 sensor MO
12	1 Wire set meat probe TO
11	1 Wire set meat probe MO
10	2 Jack socket meat probe
9	1 Main terminal
8	2 Microswitch fan / light
7	1 Oven lamp side
6	2 Oven lamp back
5	1 Cooling fan
4	1 Fan motor hot air
3	1 Heating elem. hot air 2400W
2	2 Heating elem. top 1000/1800W
1	2 Heating elem. lower 1000W

400V