

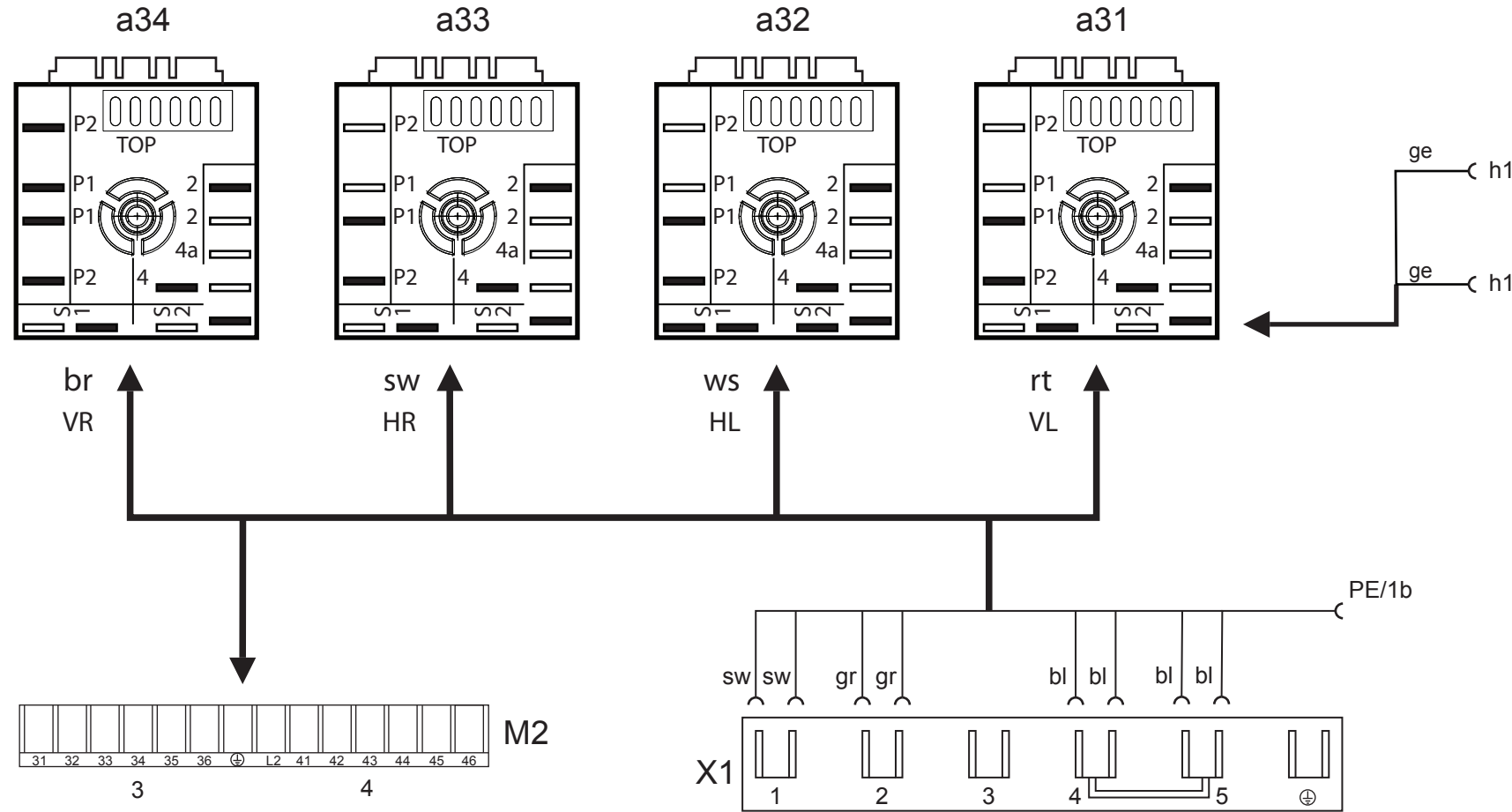
This drawing contains confidential information and is the property of Electrolux, without whose permission it may not be copied, shown or handed to a third party or otherwise used and it is to be returned promptly upon request to the design owner, who is responsible for the drawing.

Items shown in this drawing must not contain substances that are banned according to Directive, 2002/95/EC, the RoHS Directive (Lead, Cadmium, Mercury, hexavalent Chromium, PBB and PBDE), or substances classified as "Banned" or "Restricted" according to the Electrolux Restricted Materials List.

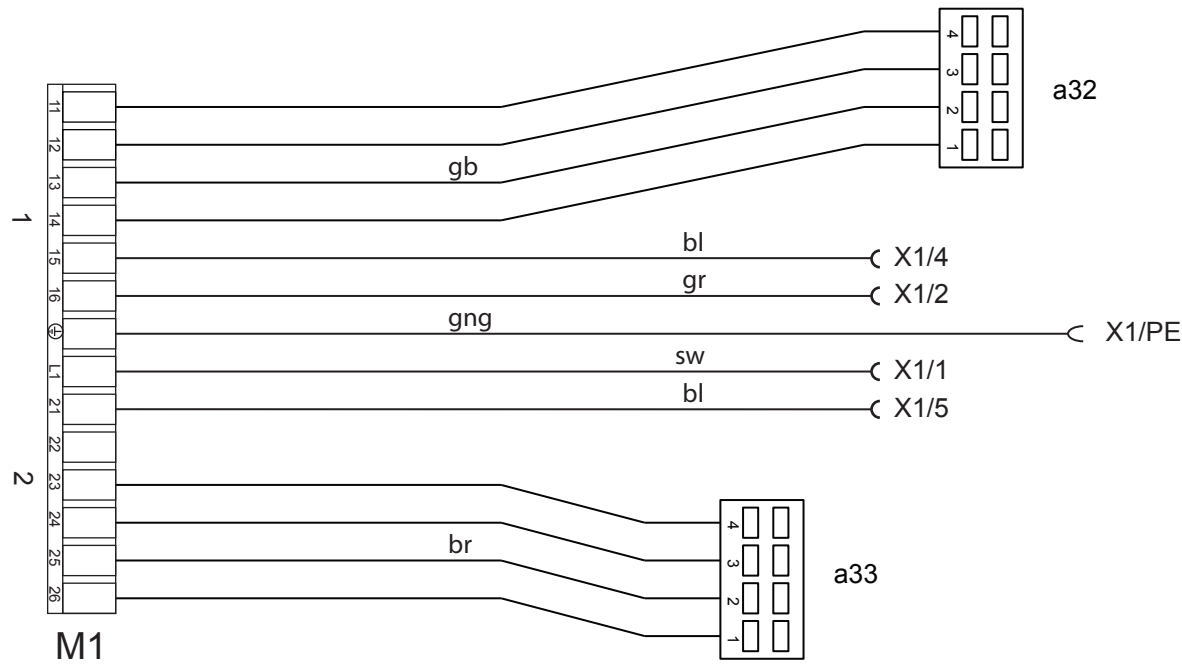
GENERAL TOLERANCES  
ANGLES  
LENGTHS AND DIAMETERS

CrissCross

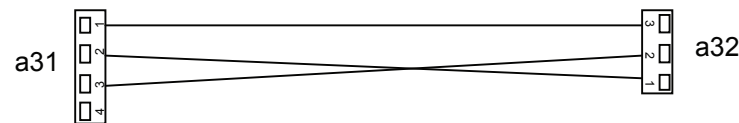
pos 1  
561 0773 00



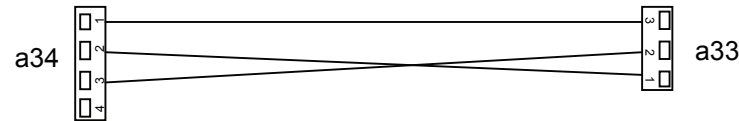
pos 2  
561 0774 00



pos 3  
387 4963 01



pos 4  
387 4963 01



Bezeichnung	designation	Elux Sachnummer/ Elux part no.
Betriebsmittelliste	list of components	330 2222 00

A First edition		Büschke	DGT 80256	2009-06-18	
POS.	MODIFICATIONS		SIGNATURE	REQUEST	DATE
MATERIAL	MODEL	SCALE		EUROPEAN METHOD	
TREATMENT	WEIGHT	REPLACES			
DESIGN OWNER	PD_HEH	CHD Büschke	2D ONLY		x
DGT	DATE 2009-06-08	APPR Büschke	CONCEPT 3D	-	
TITLE		wiring switch panel			
NUMBER		387 9875			
REV		A			
1/1					

Electrolux

Verdrahtung Schalterblende

wiring switch panel, 2x14pol connectors (blue,red),  
CHANGES FROM THE BASE NUMBER

VARIANT NUMBER REPLACED NUMBER POS.