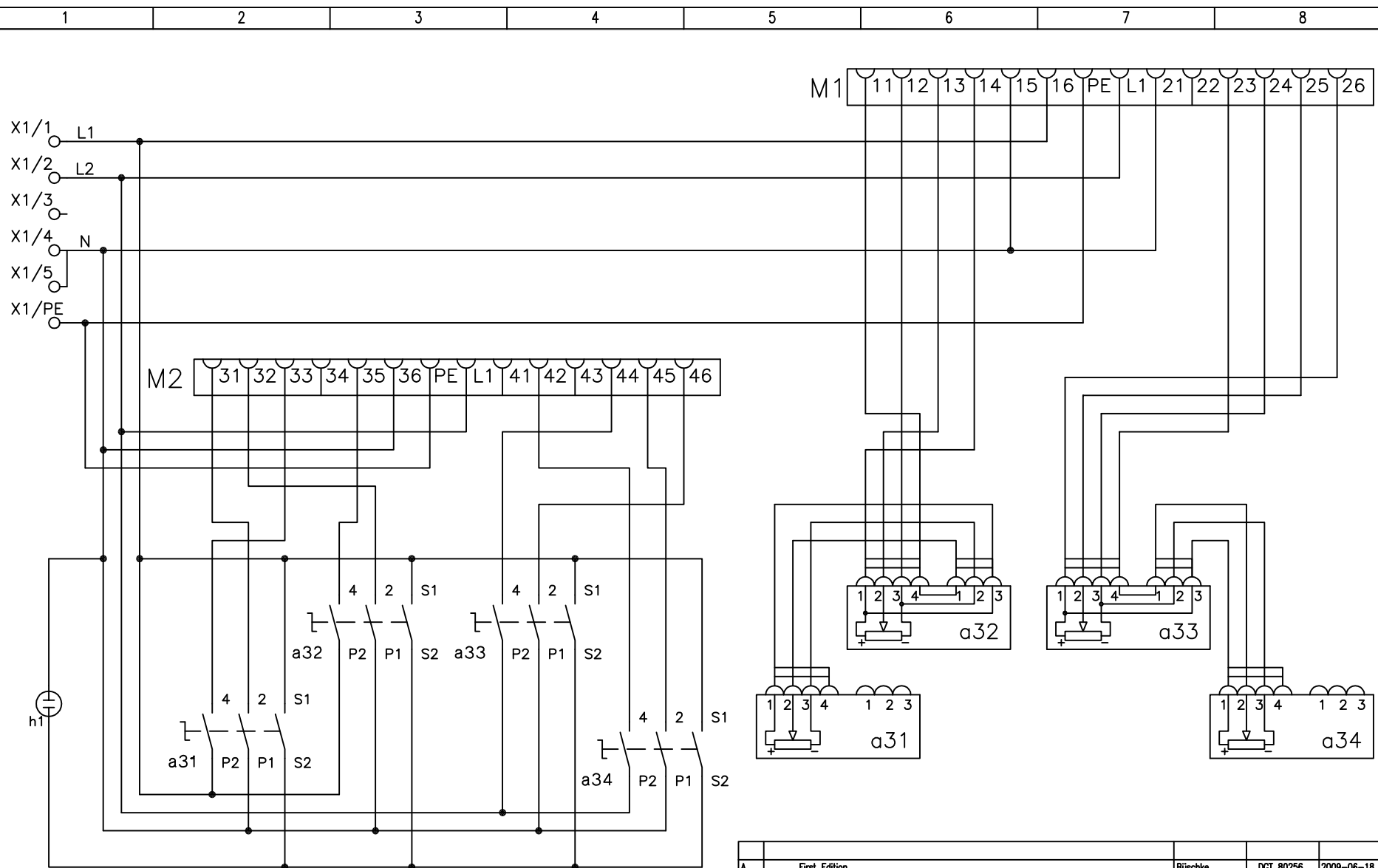


This drawing contains confidential information and is not to be copied, shown or handed to a third party or otherwise used and it is to be returned promptly upon request to the design owner, who is responsible for the drawing.

Items shown in this drawing must not contain substances that are banned according to Directive 2002/95/EC, the RoHS Directive (Lead, Cadmium, Mercury, hexavalent Chromium, PBB and PBDE) or substances classified as "Banned" or "Restricted" according to the Electrolux Restricted Materials List.

GENERAL TOLERANCES
ANGLES
LENGTHS AND DIAMETERS



| | | | | | |
|-----------------|-----------------|------|-------|--------------|---------------------------------|
| 315 9874 00 | | | | | circuit diagram for control box |
| VARIANT NUMBER. | REPLACED NUMBER | POS. | MODEL | DESIGN USERS | CHANGES FROM THE BASE NUMBER |

| | | | | | | |
|--------------|--|---------------|-----------------|---------|---------------------------------------|------------|
| A | | First Edition | | Büschke | DGT 80256 | 2009-06-18 |
| POS | | | MODIFICATIONS | | SIGNATURE | REQUEST |
| MATERIAL | | | MODEL | | SCALE | |
| TREATMENT | | | DESIGN USERS | | REPLACES No | |
| DESIGN OWNER | | | DRN | | DERIVED FROM No | |
| DGT | | | DATE 2009-06-15 | | SUPPLY SPECIFICATIONS No | |
| | | | CHD Büschke | | EUROPEAN METHOD | |
| | | | DATE 2009-06-15 | | APPR Büschke | |
| | | | 2D ONLY | | CONCEPT 3D | |
| | | | EXACT 3D | | TITLE circuit diagram for control box | |
| | | | Electrolux | | Schaltplan für Schaltkasten | |
| | | | NUMBER 387 9874 | | REV A | |
| | | | | | SHEET 1/1 | |