

THE ITEM(S) SHOWN IN THIS DRAWING MUST NOT CONTAIN FORMALDEHYDE, CADMIUM, MERCURY, ASBESTOS OR PBB/PBDO.

THIS DRAWING CONTAINS CONFIDENTIAL INFORMATION. IT'S PROPERTY OF ELECTROLUX WITHOUT WHOSE PERMISSION IT MAY NOT BE COPIED, SHOWN OR HANDED TO A THIRD PARTY OR OTHERWISE USED, AND IT IS TO BE RETURNED PROMPTLY UPON REQUEST TO ELECTROLUX WHICH IS RESPONSIBLE FOR THE DRAWING.

[2] CRITICAL DIMENSIONS WHICH MUST BE UNDER CAPABILITY

SAFETY RISKS

--- : VISIBLE SURFACES
- - - : DRAFT ANGLES (NOT SHOWN): 0.000000°

THEORETICAL FLAT AREA

DEVELOPED FLAT AREA

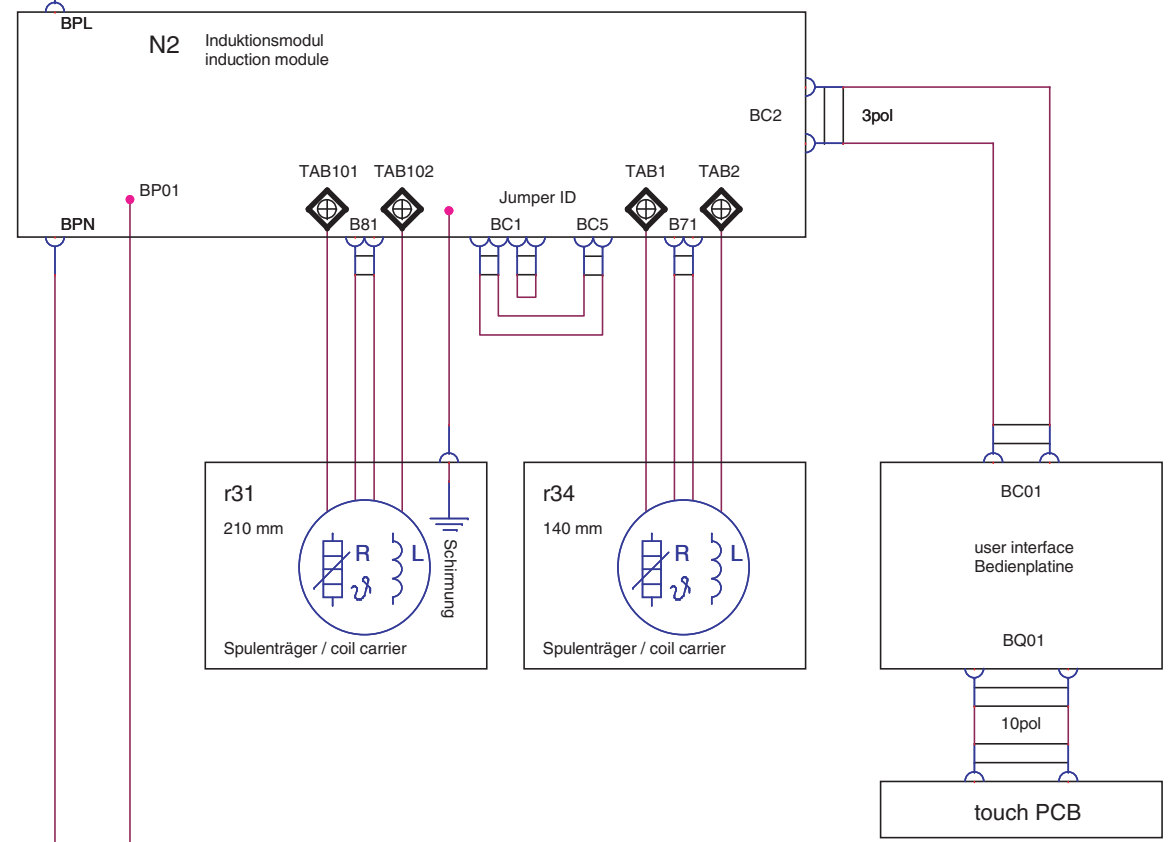
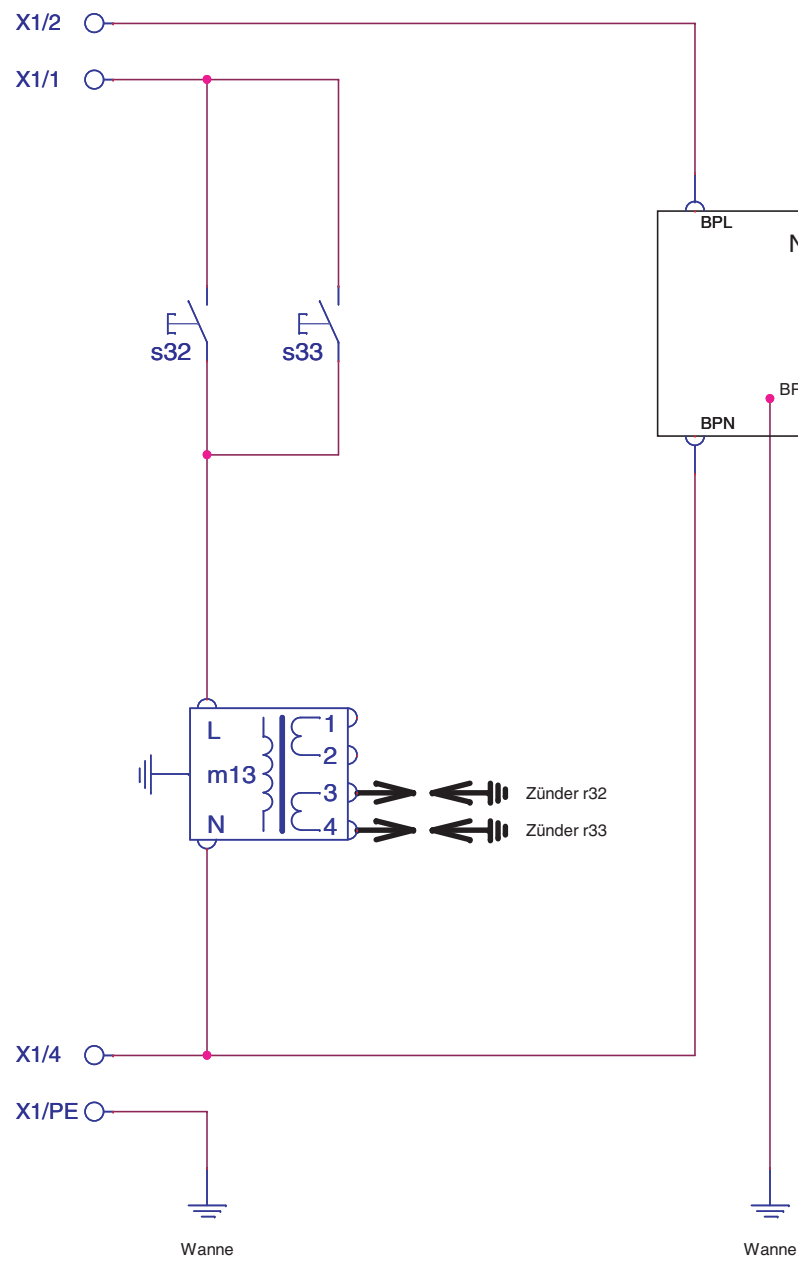
GENERAL TOLERANCES

ANGLES : 2°

LENGTHS AND DIMETERS:

0 - 10 mm : 0.1 mm
10 - 30 mm : 0.2 mm
30 - 80 mm : 0.3 mm
> 80 mm : 0.4 mm

A4



DESIGN		OWNER		DRN	CHD	DATE	DESIGN	USERS	EUROPEAN METHOD		
DGT		DGR-PE_PD			Weiß	2006-09-21					
ZUST		MODIFICATIONS					SIGNATURE	REQUEST	DATE		
B		add jumper on the induction module					Weiß	DGT82507	2009-07-28		
A		first edition					Weiß	DGT45522	2006-09-21		
TITLE		circuit diagram hob									
TITEL		Schaltplan Mulde									
NUMBER		387 3712			SHEET		01(01)		REV		B

