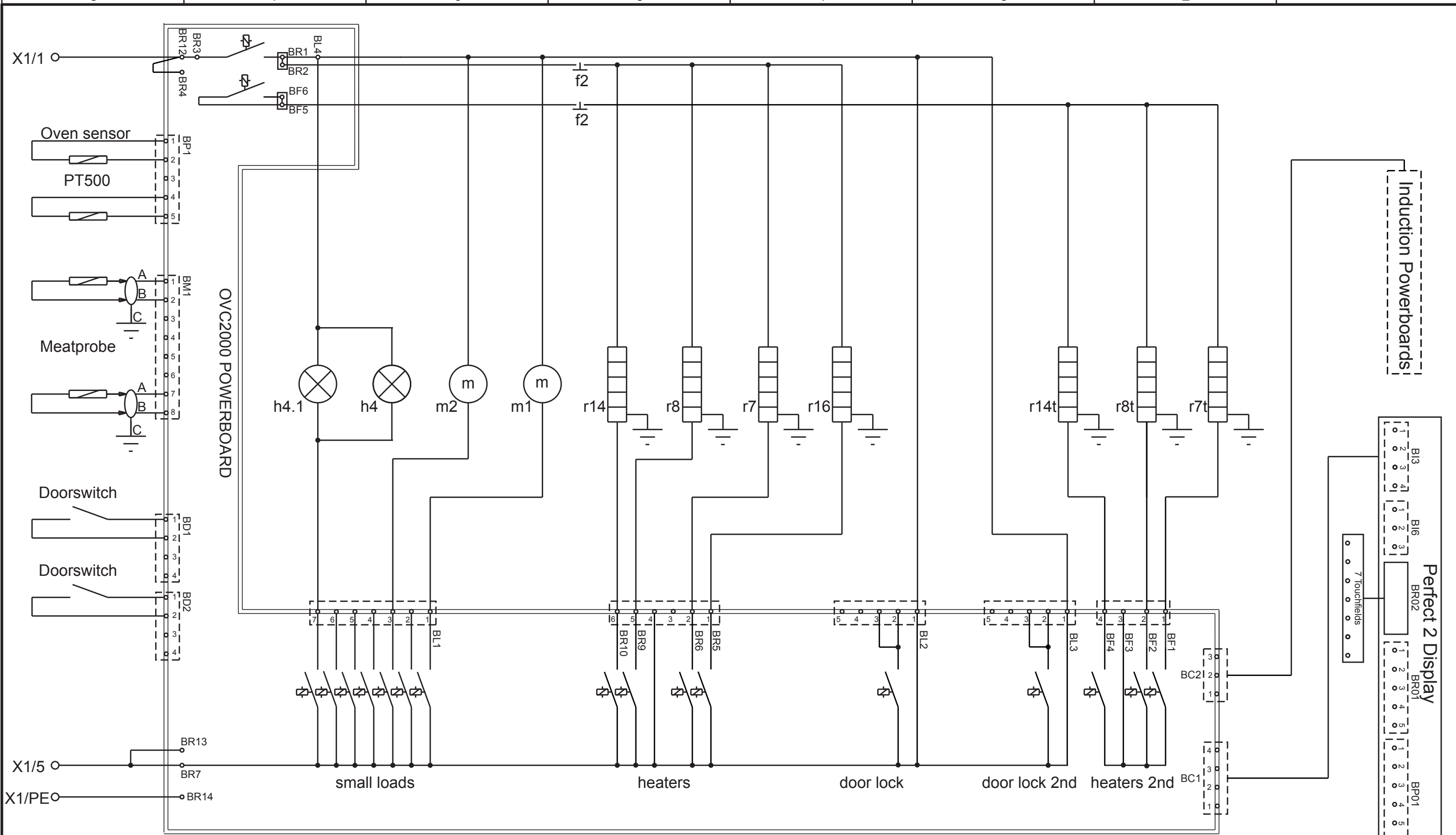


This drawing contains confidential information and is the property of Electrolux, without whose permission it may not be copied, shown or handed to a third party or otherwise used and it is to be returned promptly upon request to the design owner, who is responsible for the drawing.

Items shown in this drawing must not contain substances that are banned according to Directive, 2002/95/EC, the RoHS Directive (Lead, Cadmium, Mercury, hexavalent Chromium, PBB and PBDE), or substances classified as "Banned" or "Restricted" according to the Electrolux Restricted Materials List.



A	new edition	S.Holzinger	-	2008-11-21
POS.	MODIFICATIONS	SIGNATURE	REQUEST	DATE
MATERIAL	MODEL	SCALE	EUROPEAN METHOD	
TREATMENT	WEIGHT	DESIGN USERS	REPLACES	
	- Kg.		DERIVED FROM	
DESIGN OWNER	DRN	CHD S.Holzinger	2D ONLY	SUPPLY SPECIFICATIONS
	DATE 2008-11-21	APPR S.Holzinger	CONCEPT 3D	
			EXACT 3D	TITLE
			circuit diagramm oven DO	
			MAXIMA	
			NUMBER	REV
			349 6055	A
			SHEET	1/1

GENERAL TOLERANCES	
ANGLES	
LENGTHS AND DIAMETERS	

VARIANT NUMBER	REPLACED NUMBER	POS.	MODEL	DESIGN USERS	CHANGES FROM THE BASE NUMBER
-	-	-	-	-	-