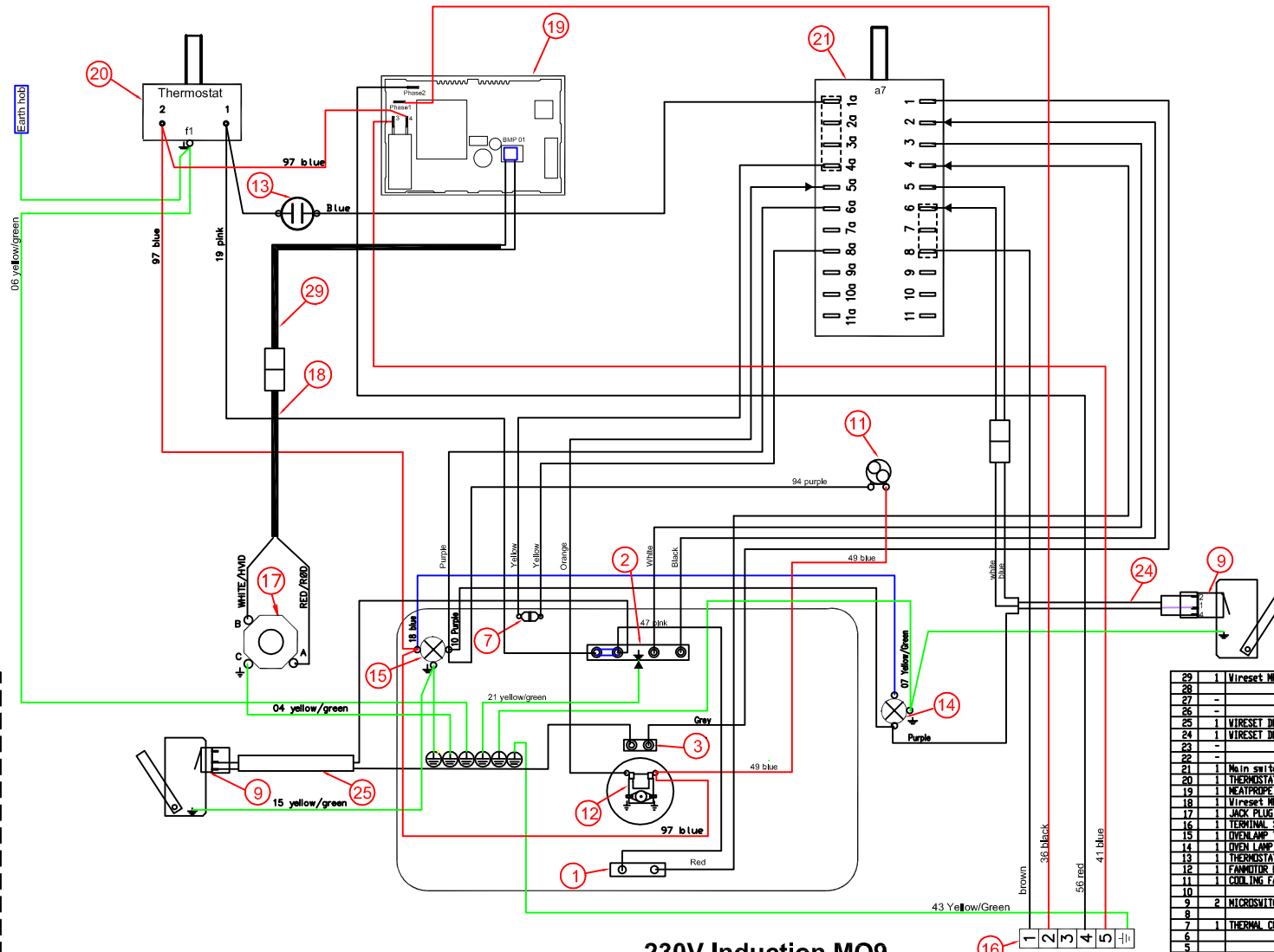
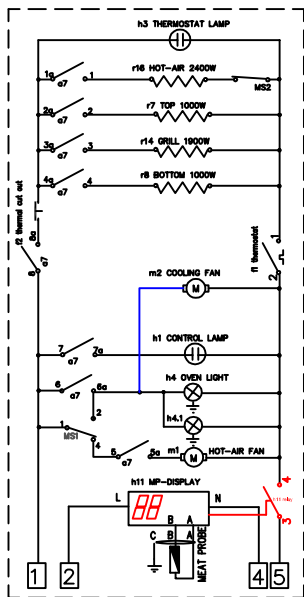


This drawing contains confidential information and is the property of Electrolux, without whose permission it may not be reproduced, stored in a retrieval system or otherwise used and it is to be returned promptly upon request to the design owner, who is responsible for the drawing.

Items shown in this drawing must not contain substances that are banned according to Directive 2002/95/EC, the RoHS Directive. The design owner is responsible for ensuring that the final PCB and BOM elements do not contain "banned" or "Restricted" according to the Electrolux Restricted Materials List.



230V Induction MO9

ID	Description	Elux part No.
18	Wiring meat prob socket	349 5794-01
21	Wiring oven harness	349 5957-04
24	Wiring door switch	349 4184-01
25	Wiring door switch	349 4194-01
29	Wiring meat prob timer	349 5795-01
	List of crimp contacts	330 1766
	Component list	330 2222
	Insulation house	330 4175

29	1	Wireset MP timer
26	-	
27	-	
25	-	
23	1	WIRESSET DOORSWITCH hot air element
24	1	WIRESSET DOORSWITCH
23	-	
22	-	
21	1	Main switch/ oven function
20	1	THERMOSTAT
19	1	HEATPROBE DISPLAY
18	1	Wireset MP socket
17	1	JACK PLUG
16	1	TERMINAL STRIP 6 PINS, SNAP
15	1	OVEN LAMP TIP
14	1	OVEN LAMP SIDE
13	1	THERMOSTAT LAMP
12	1	FANMOTOR HOTAIR/ROVEN
11	1	COOLING FAN
10	-	
9	2	MICROSWITCH FAN/LIGHT
7	1	THERMAL CUT OUT
6	-	
5	-	
3	1	HEATINGELE. HITAIR 2400W
2	1	HEATINGELE. TIP 1000/1900W
1	1	HEATINGELE. LOWER 1000W
POS/ANT		GENSTAND

VARIANT NUMBER	REPLACED NUMBER	POS.	MODEL	DESIGN USERS	CHANGES FROM THE BASE NUMBER
349 5955-02					

A first edition		IAN	ABS 6834	2008.04.09
POS.	MODIFICATIONS	SIGNATURE	REQUEST	DATE
MATERIAL	WEIGHT	DESIGN USERS	REPLACES 349 5910-02	EUROPEAN METHOD
TREATMENT			DERIVED FROM	
DESIGN OWNER	DATE 2008.04.09	DATE 2008.04.09	TITLE	Wiring oven assembly Induction
Electrolux		NUMBER	349 5955	REV. A
		SHEET		