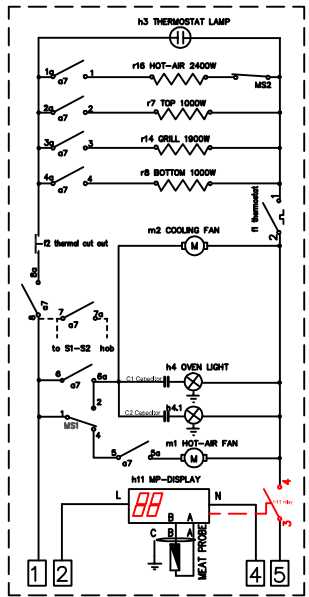
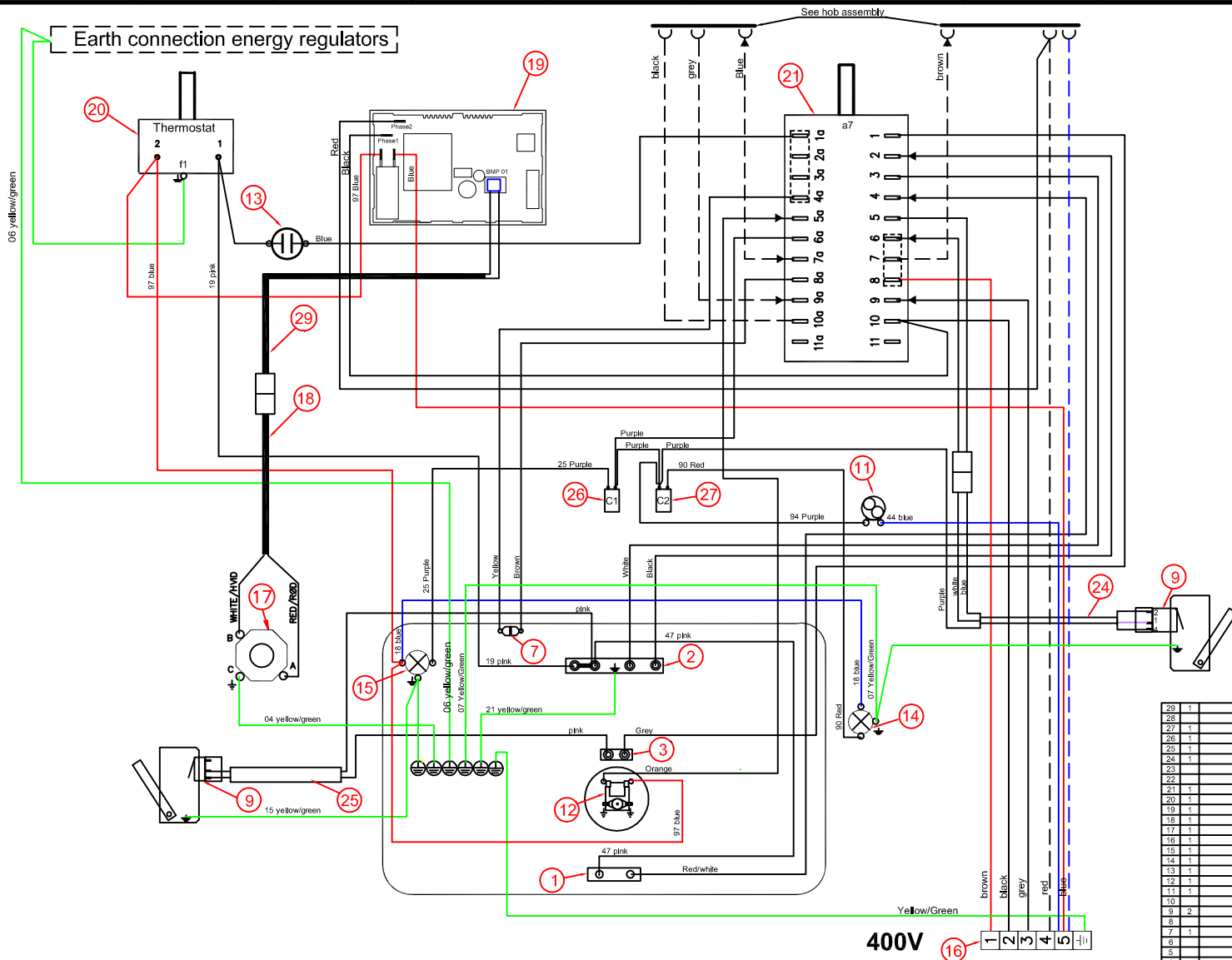


This drawing contains confidential information and is the property of Electrolux, without whose permission it may not be reproduced, stored in a retrieval system or otherwise used and it is to be returned immediately upon request to the design owner, who is responsible for the drawing.

Items shown in this drawing must not contain substances that are banned according to Directive 2002/95/EC, the RoHS Directive. Chemicals, components, materials and parts must be RoHS compliant. Components that are "Banned" or "Restricted" according to the Electrolux Restricted Materials List.

Earth connection energy regulators



ID	Description	Elux part no
18	Wiring meat probe socket	349 5794-01
21	Wiring oven harness	349 5925-04
24	Wiring door switch	349 5325-01
25	Wiring door switch	349 4194-01
29	Wiring meat probe timer	349 5795-01
▶	Insulation house	330 4175
▶	List of crimp contacts	330 1766
▶	Component list	330 2222

29	1	Wiring meat probe timer
28		
27	1	Capacitor
26	1	Capacitor
25	1	Wiring door switch
24	1	Wiring door switch
23		
22		
21	1	Main oven selector
20	1	Thermostat main oven
19	1	Timer
18	1	Wire meat probe socket
17	1	Meat probe socket
16	1	Main terminal
15	1	Oven lamp rear
14	1	Oven lamp side
13	1	Control lamp
12	1	Hot air motor
11	1	Cooling fan
10		
9	2	Micro switch
8		
7	1	Thermostat safety
6		
5		
4	1	Heating element ring
3	1	Heating element top
2	1	Heating element bottom
1	1	Heating element bottom
Pos	No.	Components

A First edition UMPD High		IAN	ABS 6673	2008-03-04
POS	MODIFICATIONS	SIGNATURE	REQUEST	DATE
MATERIAL	WEIGHT	DESIGN USERS	REPLACES	EUROPEAN METHOD
TREATMENT			DERIVED FROM	
DESIGN OWNER	DATE 2008-03-04	APPR S.A.H	TITLE	SUPPLY SPECIFICATIONS
				349 5923

349 5923-02	400V	
VARIANT NUMBER	REPLACED NUMBER	POS