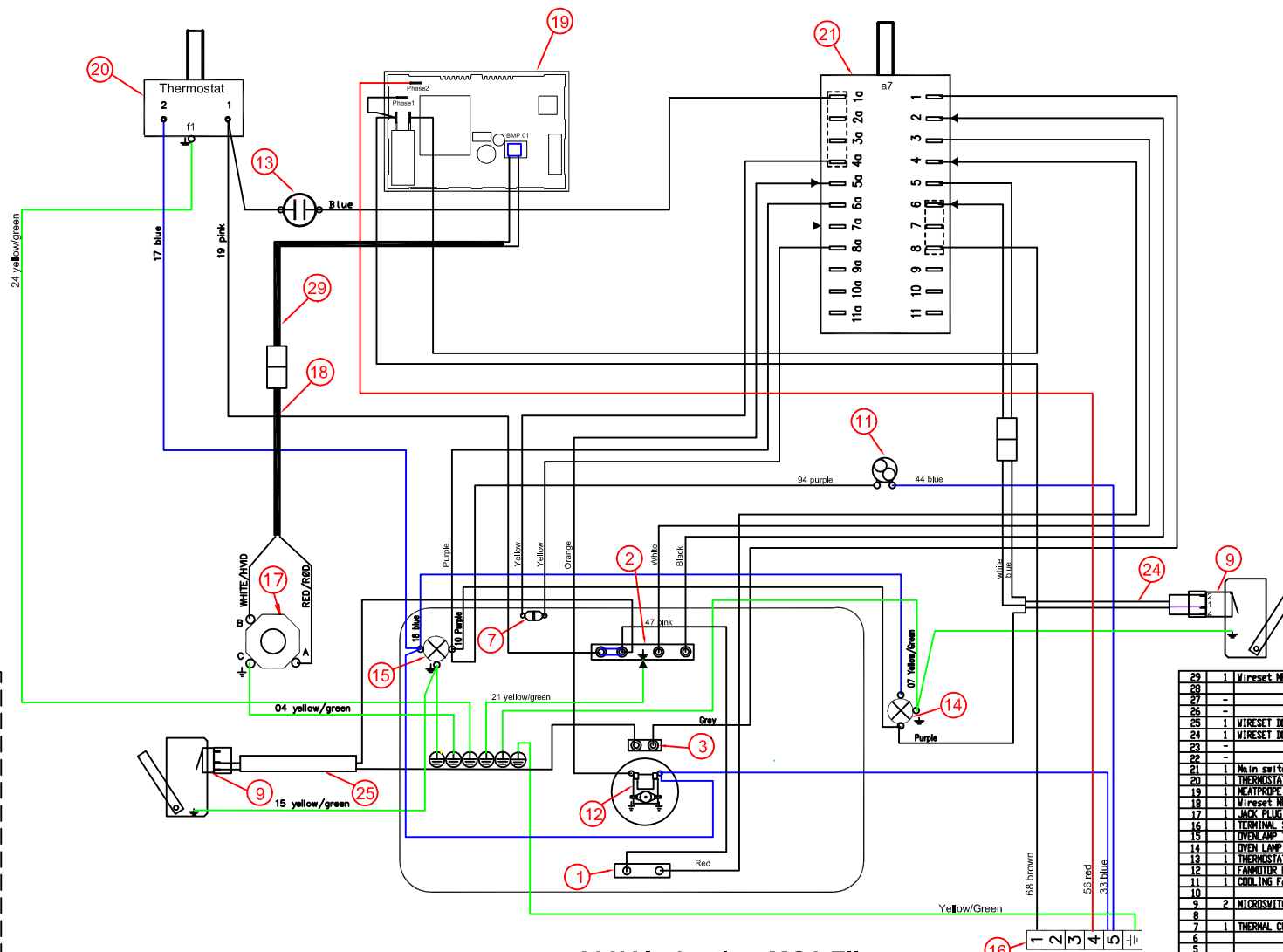
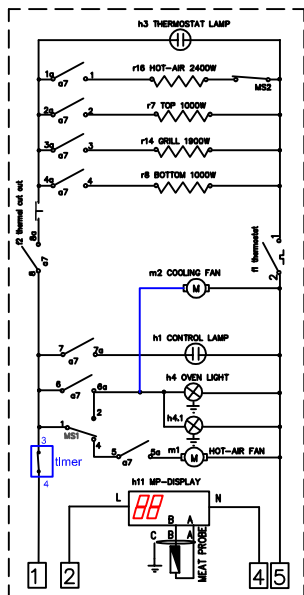


This drawing contains confidential information and is the property of Electrolux, without whose permission it may not be reproduced, stored in a retrieval system or otherwise used and it is to be returned to the party upon request to the design owner, who is responsible for the drawing.

Items shown in this drawing must not contain substances that are banned according to Directive 2002/95/EC, the RoHS Directive, or Directive 2006/66/EC, the RoHS Directive. The RoHS Directive applies to all products, components and parts of products, including accessories, that are placed on the market or put into service. The RoHS Directive is a "Ban" or "Restriction" according to the Electrolux Restricted Materials List.



230V Induction MO9 Flins

ID	Description	Elux part No.
18	Wiring meat prob socket	349 5794-01
21	Wiring oven harness	349 5816-04
24	Wiring door switch	349 4184-01
25	Wiring door switch	349 4194-01
29	Wiring meat prob timer	349 5795-01
	List of crimp contacts	330 1766
	Component list	330 2222
	Insulation house	330 4175

29	1	Wireset MP timer
28	-	
27	-	
26	-	
25	1	WIRESET DOORSWITCH hot air element
24	1	WIRESET DOORSWITCH
23	-	
22	-	
21	1	Main switch/ oven function
20	1	THERMOSTAT
19	1	HEATPROBE DISPLAY
18	1	Wireset MP socket
17	1	JACK PLUG
16	1	TERMINAL STRIP 6 PINS, SNAP
15	1	OVEN LAMP TIP
14	1	OVEN LAMP SIDE
13	1	THERMOSTAT LAMP
12	1	FANMOTOR HITAIR/ROVEN
11	1	COOLING FAN
10	2	MICROSWITCH FAN/LIGHT
9	1	THERMAL CUT OUT
8	-	
7	1	THERMAL CUT OUT
6	-	
5	-	
4	-	
3	1	HEATINGELE HITAIR 2400W
2	1	HEATINGELE TIP 1000/1900W
1	1	HEATINGELE LOWER 1000W
POS/ANT GENSTAND		

A first edition		S:AH	ABS 6332	2007.12.13
POS	MODIFICATIONS	SIGNATURE	REQUEST	DATE
MATERIAL	WEIGHT	DESIGN USERS	REPLACES	EUROPEAN METHOD
TREATMENT	WEIGHT	DESIGN USERS	DERIVED FROM	
DESIGN OWNER	DATE	DATE	TITLE	SUPPLY SPECIFICATIONS
DRN S:Ah	2007.12.13	2007.12.13	Wiring oven assembly Induction	
				NUMBER 349 5910
				RELY A SHEET

349 5910-02					
VARIANT NUMBER	REPLACED NUMBER	POS	MODEL	DESIGN USERS	CHANGES FROM THE BASE NUMBER