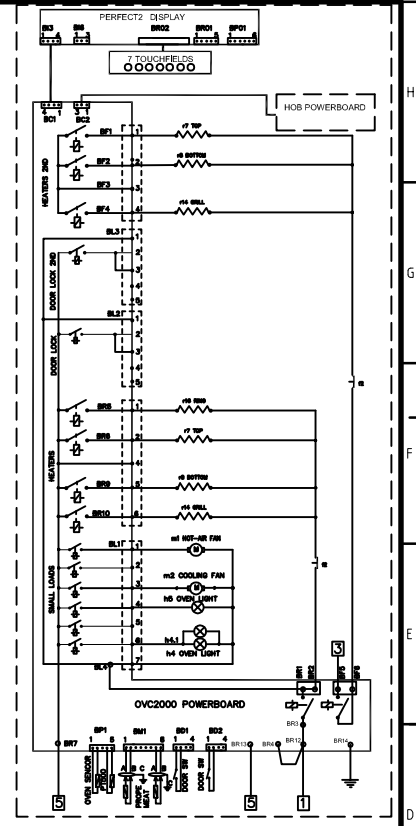
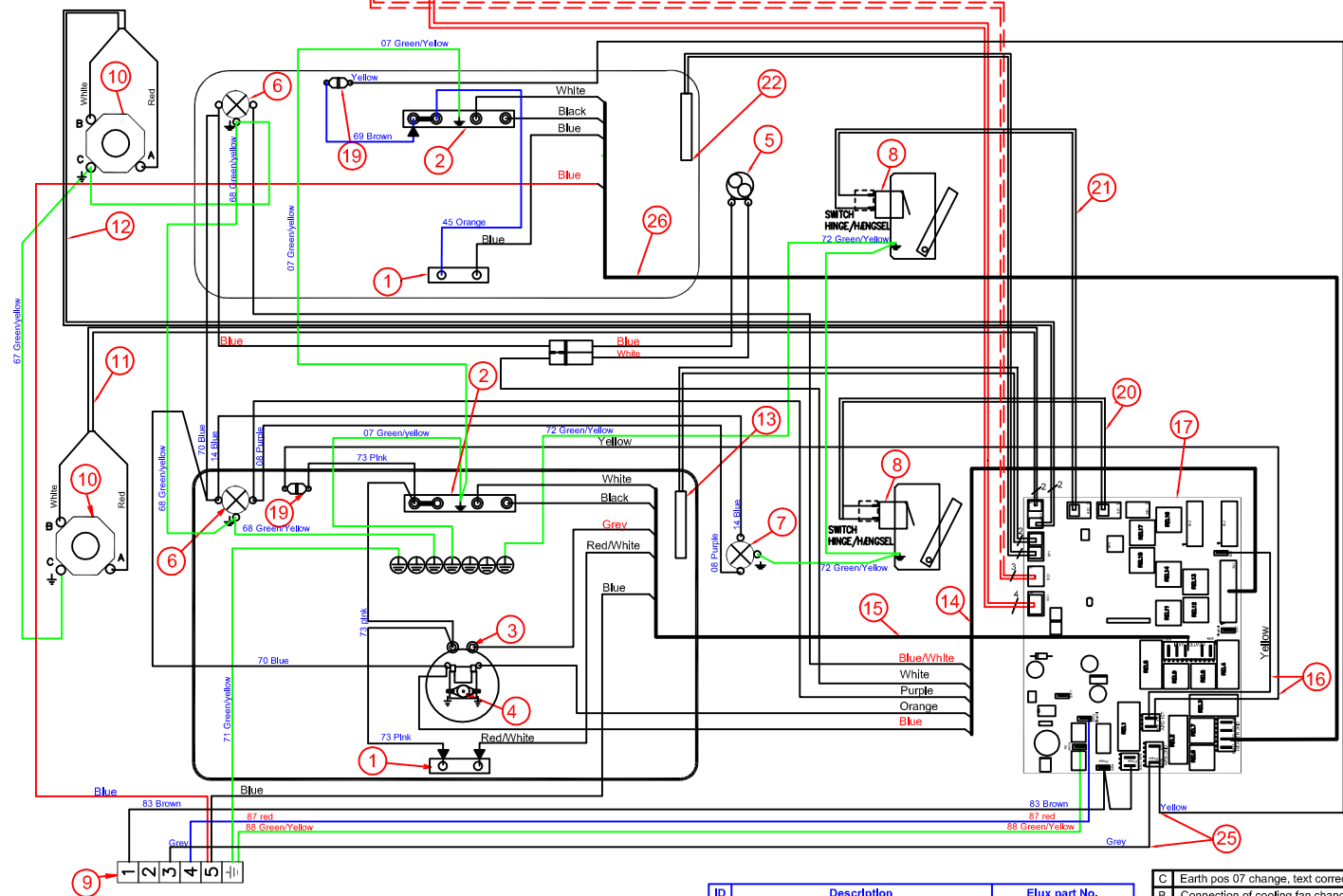


This drawing contains confidential information and is the property of Electrolux, without whose permission it shall not be reproduced, stored in a retrieval system or otherwise used and it is to be returned immediately upon request to the design owner, who is responsible for the drawing.

Items shown in this drawing must not contain substances that are banned according to Directive 2002/95/EC, the RoHS Directive, and the Commission Decision 2005/618/EC. The RoHS substances are: Lead (Pb), Hexavalent Chromium (Cr VI), Polychlorinated Biphenyls (PCB) and Polycyclic Aromatic Hydrocarbons (PAH). The design owner is responsible for ensuring that the design owner is responsible for the drawing.

SEE HOB DIAGRAM

3 pin signalwire from INDUCTION powerboard.



Pos No	Components
29	1 Touch board
28	1 Ribbon cable
27	-
26	1 Wire set heater top oven
25	1 Wire set APD
24	-
23	-
22	1 Oven PT500 sensor TO
21	1 Wire set Light switch TO
20	1 Wire set Light switch MO
19	2 Heat protector 180°C
18	1 Display
17	1 OVC 2000 power board
16	1 Wire set APD
15	1 Wire set heater
14	1 Wire set small loads
13	1 Oven PT500 sensor MO
12	1 Wire set meat probe TO
11	1 Wire set meat probe MO
10	2 Jack socket meat probe
9	1 Main terminal
8	2 Microswitch fan / light
7	1 Oven lamp slide
6	2 Oven lamp back
5	1 Cooling fan
4	1 Fan motor hot air
3	1 Heating elem. hot air
2	2 Heating elem. top
1	2 Heating elem. lower

230V

ID	Description	Elux part No.
11	Wiring meat prob MO	349 5346-01
12	Wiring meat prob TO	349 5349-01
13	Wiring OVC2000 harness	349 5350-04
20	Wiring door switch	349 5305-02
21	Wiring door switch	349 5304-01

ID	Description	Elux part No.
1	List of crimp contacts	330 1766
2	Component list	330 2222
3	Insulation house	330 4175

349 5904-02					
VARIANT NUMBER	REPLACED NUMBER	POS.	MODEL	DESIGN USERS	CHANGES FROM THE BASE NUMBER

C Earth pos 07 change, text corrected		S.A.H	ABS 3599	2006.07.05
B Connection of cooling fan change		S.A.H	ABS 3361	2006.05.16
POS.	MODIFICATIONS	SIGNATURE	REQUEST	DATE
MATERIAL	WEIGHT	DESIGN USERS	REPLACES	EUROPEAN METHOD
DESIGN OWNER	DATE	APP.	REWORK	DERIVED FROM
349 5904		Wiring oven assembly		
Electrolux		NUMBER 349 5904		