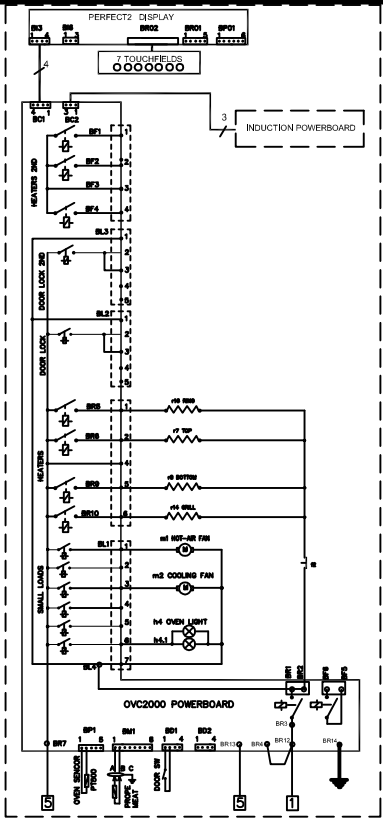
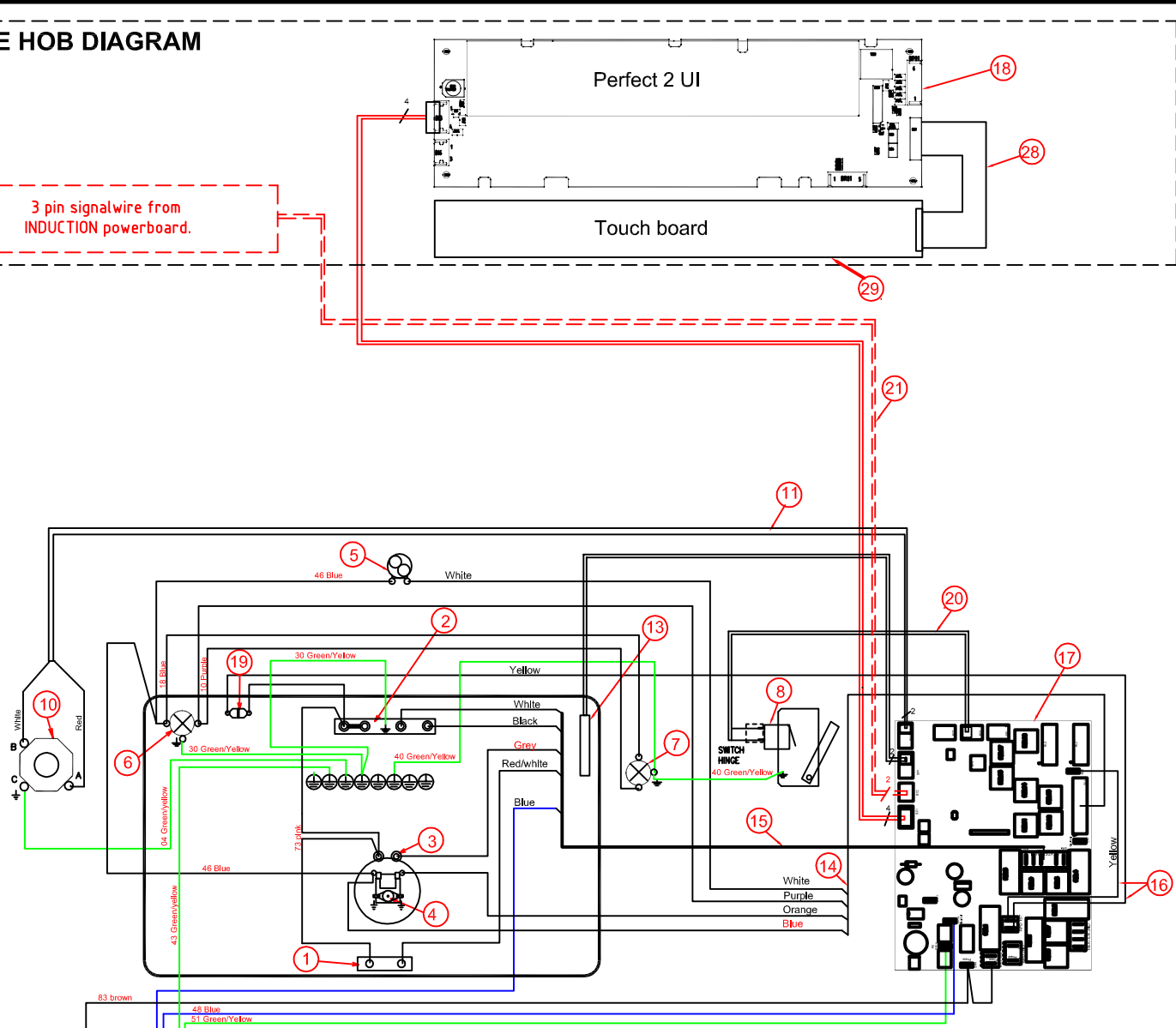


This drawing contains confidential information and is the property of Electrolux. Without whose permission it shall not be reproduced, stored in a retrieval system or otherwise used and it is to be returned immediately upon request to the design owner, who is responsible for the drawing.

Items shown in this drawing must not contain substances that are banned according to Directive 2002/95/EC, the RoHS Directive. Components, materials, processes, coatings, PPS and other substances must not be "Banned" or "Restricted" according to the Electrolux Restricted Materials List.

SEE HOB DIAGRAM

3 pin signalwire from INDUCTION powerboard.



29	1	Touch board
28	1	Ribbon cable
27	-	-
26	-	-
25	-	-
24	-	-
23	-	-
22	-	-
21	1	Wire set Induction -OVC2000
20	1	Wire set Light switch
19	1	Heat protector
18	1	Display
17	1	OVC 2000 power board
16	1	Wire set APD
15	1	Wire set heater
14	1	Wire set small loads
13	1	Oven PT500 sensor
12	-	-
11	1	Wire set meat probe
10	1	Jack socket meat probe
9	1	Main terminal
8	1	Microswitch fan / light
7	1	Oven lamp slide
6	1	Oven lamp back
5	1	Cooling fan
4	1	Fan motor hot air
3	1	Heatin elem. hot air
2	1	Heating elem. top
1	1	Heating elem. lower

ID	Description	Elux part No.
11	Wiring meat probe	349 5346-01
13	Wiring PT500	387 1415-01
15	Wiring OVC2000 harness	349 5334-04
20	Wiring door switch	349 5305-01
	List of crimp contacts	330 1786
	Component list	330 2222
	Insulation house	330 4175

FOR: 230V,PF2,SIT, INDUCTION ONLY

A First edition		S.A.H	ABS 6332	2008-01-15
POS	MODIFICATIONS	SIGNATURE	REQUEST	DATE
MATERIAL	WEIGHT	DESIGN USERS	REPLACES	EUROPEAN METHOD
TREATMENT	DERIVED FROM	DESIGN OWNER	SUPPLY SPECIFICATIONS	
DRN S.A.H	OP S.A.H	DATE 2008-01-15	APPR S.A.H	TITLE
Wiring oven assembly				
Electrolux		NUMBER	349 5903	REV A
349 5903-02		VARIANT NUMBER		REPLACED NUMBER
POS	MODEL	DESIGN USERS	CHANGES FROM THE BASE NUMBER	