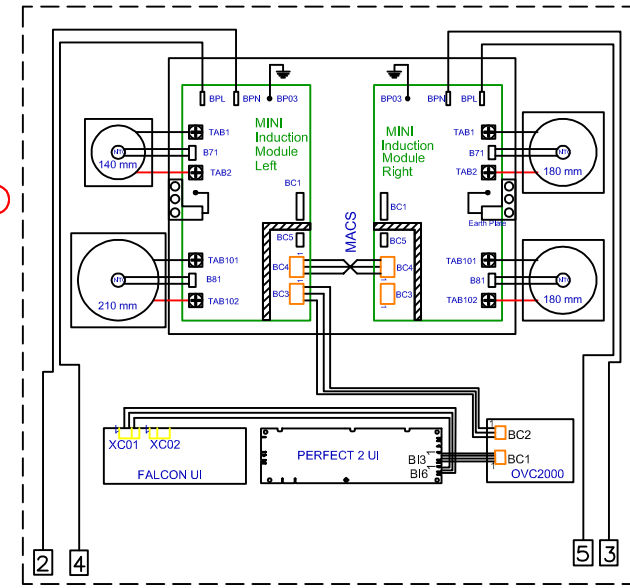
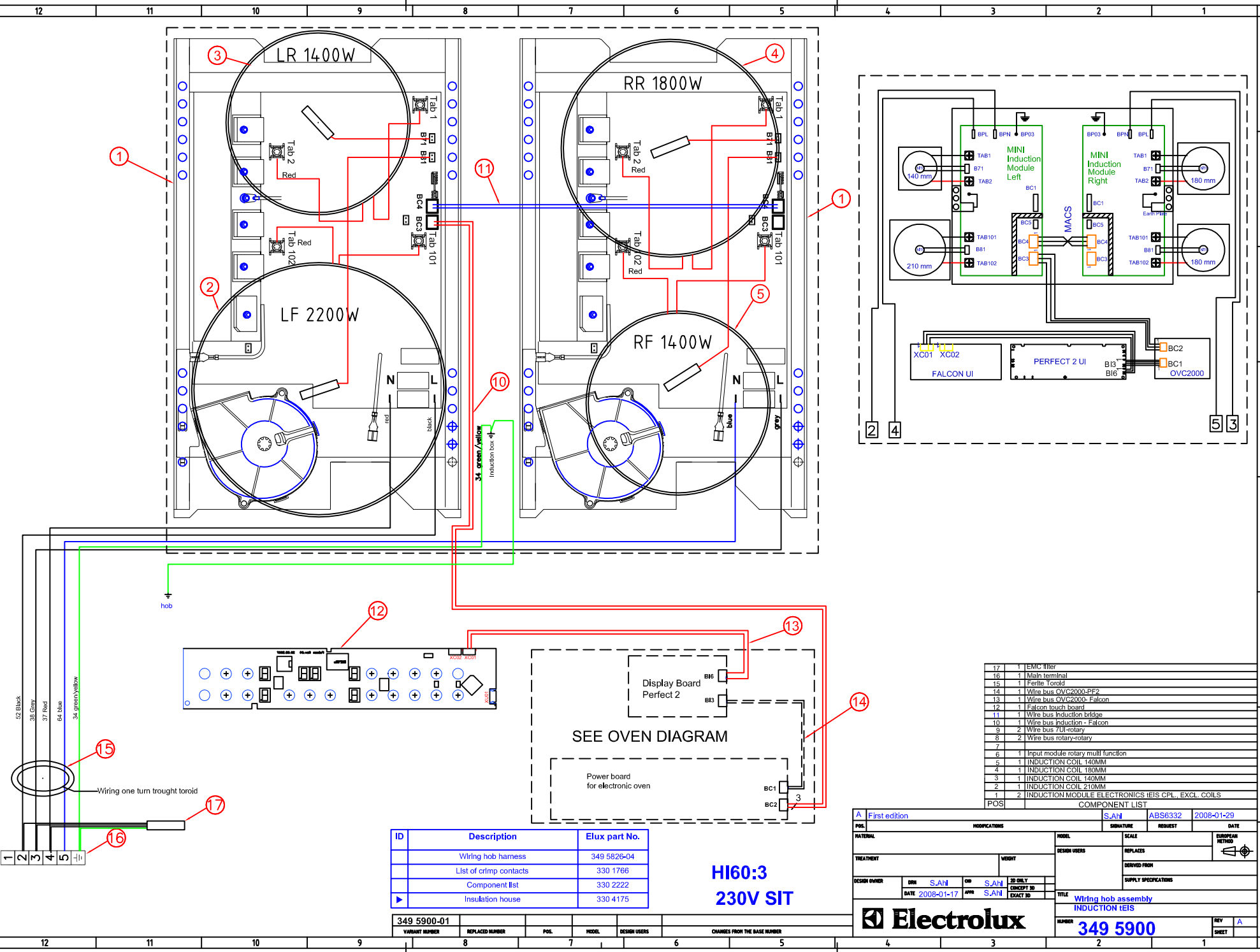


This drawing contains confidential information and is the property of Electrolux. Without express permission, it is not to be reproduced, copied, disseminated or otherwise used and it is to be returned immediately upon request to the design owner, who is responsible for the drawing.

Items shown in this drawing must not contain substances that are banned according to Directive 2002/95/EC, the RoHS Directive. The design owner, Electrolux, hereby certifies that the parts used in this drawing do not contain "banned" or "restricted" substances according to the Electrolux Restricted Materials List.



POS	DESCRIPTION	QUANTITY
17	EMC Filter	1
16	Main terminal	1
15	Ferrite Toroid	1
14	Wire bus OVC2000-PF2	1
13	Wire bus OVC2000-Falcon	1
12	Falcon touch board	1
11	Wire bus Induction bridge	1
10	Wire bus induction - Falcon	1
9	Wire bus 7UJ-relay	2
8	Wire bus rotary-relay	2
7		
6	Input module rotary multi function	1
5	INDUCTION COIL 140MM	1
4	INDUCTION COIL 180MM	1
3	INDUCTION COIL 140MM	1
2	INDUCTION COIL 210MM	1
1	INDUCTION MODULE ELECTRONICS IEIS CPL_EXCL_COILS	2

ID	Description	Elux part No.
1	Wiring hob harness	349 5826-04
2	List of crimp contacts	330 1766
3	Component list	330 2222
4	Insulation house	330 4175

HI60:3
230V SIT

VARIANT NUMBER	REPLACED NUMBER	POS.	MODEL	DESIGN USERS	CHANGES FROM THE BASE NUMBER
349 5900-01					

A First edition

POS.	MODIFICATIONS	SIGNATURE	REQUEST	DATE
		S.A.N	ABS6332	2008-01-29

MATERIAL	WEIGHT	DESIGN USERS	REPLACES	EUROPEAN METHOD
			DERIVED FROM	
DESIGN OWNER	DATE	APPV	CONCEPT ID	SUPPLY SPECIFICATIONS
	2008-01-17	S.A.N		

Electrolux

NUMBER **349 5900**

REV **A**

SHEET

GENERAL TELEMARKS
A2 DF931