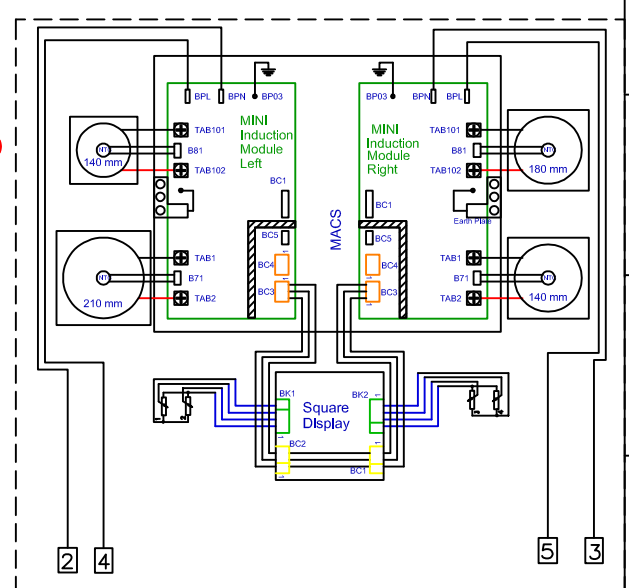
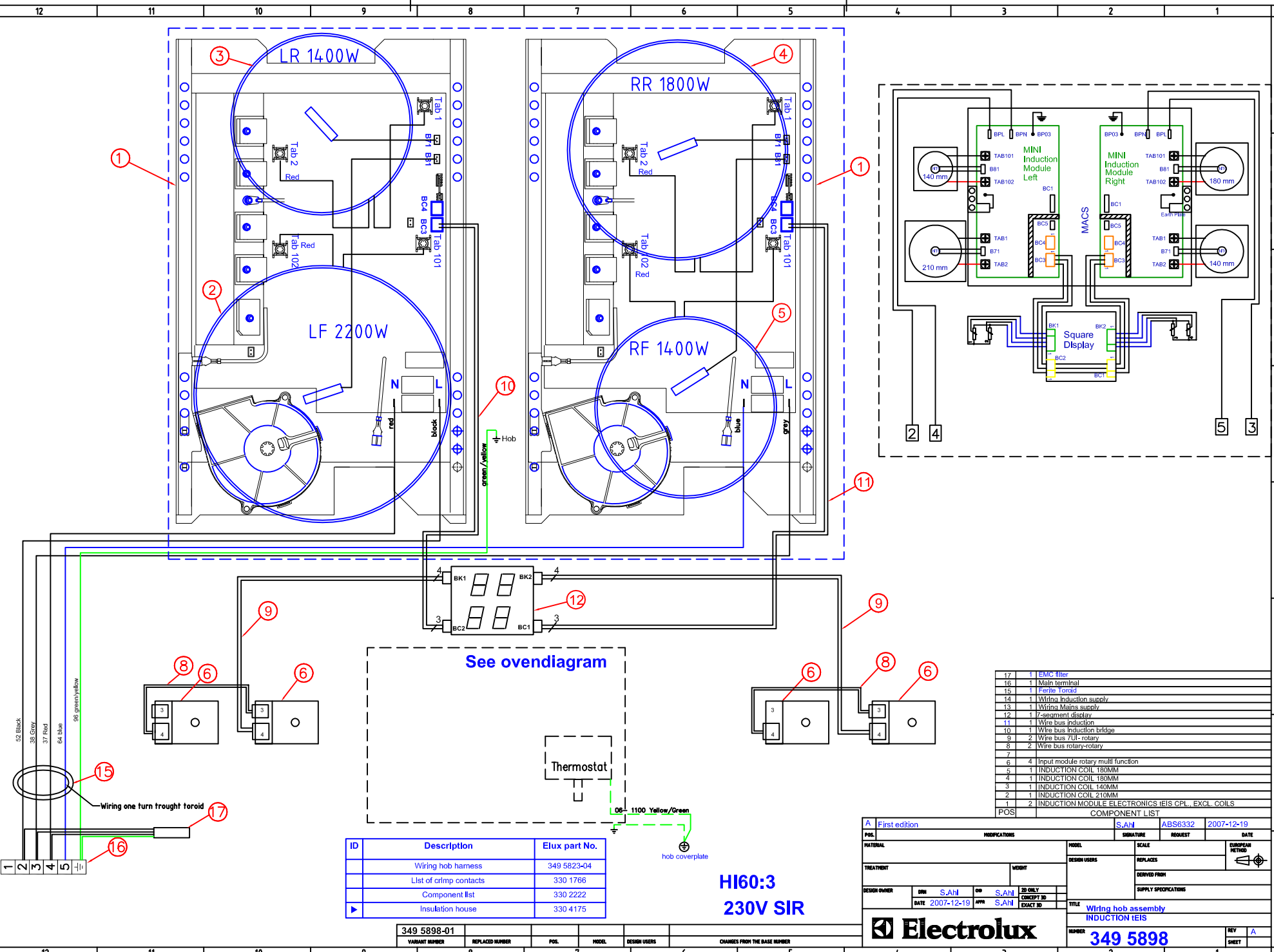


This drawing contains confidential information and is the property of Electrolux. Without written permission, it is not to be reproduced, distributed, copied, or otherwise used and it is to be returned immediately upon request to the design owner, who is responsible for the drawing.

Items shown in this drawing must not contain substances that are banned according to Directive 2002/95/EC, the RoHS Directive, and Directive 2006/66/EC, the Battery Directive. Please refer to the Electrolux website for the "Banned" or "Restricted" according to the Electrolux Restricted Materials List.



POS	DESCRIPTION
17	1 EMC filter
16	1 Main terminal
15	1 Ferrite Toroid
14	1 Wiring Induction supply
13	1 Wiring Mains supply
12	1 7-segment display
11	1 Wire bus induction
10	1 Wire bus Induction bridge
9	2 Wire bus TUI-rotary
8	2 Wire bus rotary-rotary
7	
6	4 Input module rotary multi function
5	1 INDUCTION COIL 180MM
4	1 INDUCTION COIL 180MM
3	1 INDUCTION COIL 140MM
2	1 INDUCTION COIL 210MM
1	2 INDUCTION MODULE ELECTRONICS (EIS CPL, EXCL. COILS)

ID	Description	Elux part No.
	Wiring hob harness	349 5823-04
	List of crimp contacts	330 1766
	Component list	330 2222
	Insulation house	330 4175

HI60:3
230V SIR

Electrolux

349 5898

Wiring hob assembly
INDUCTION IEIS

349 5898