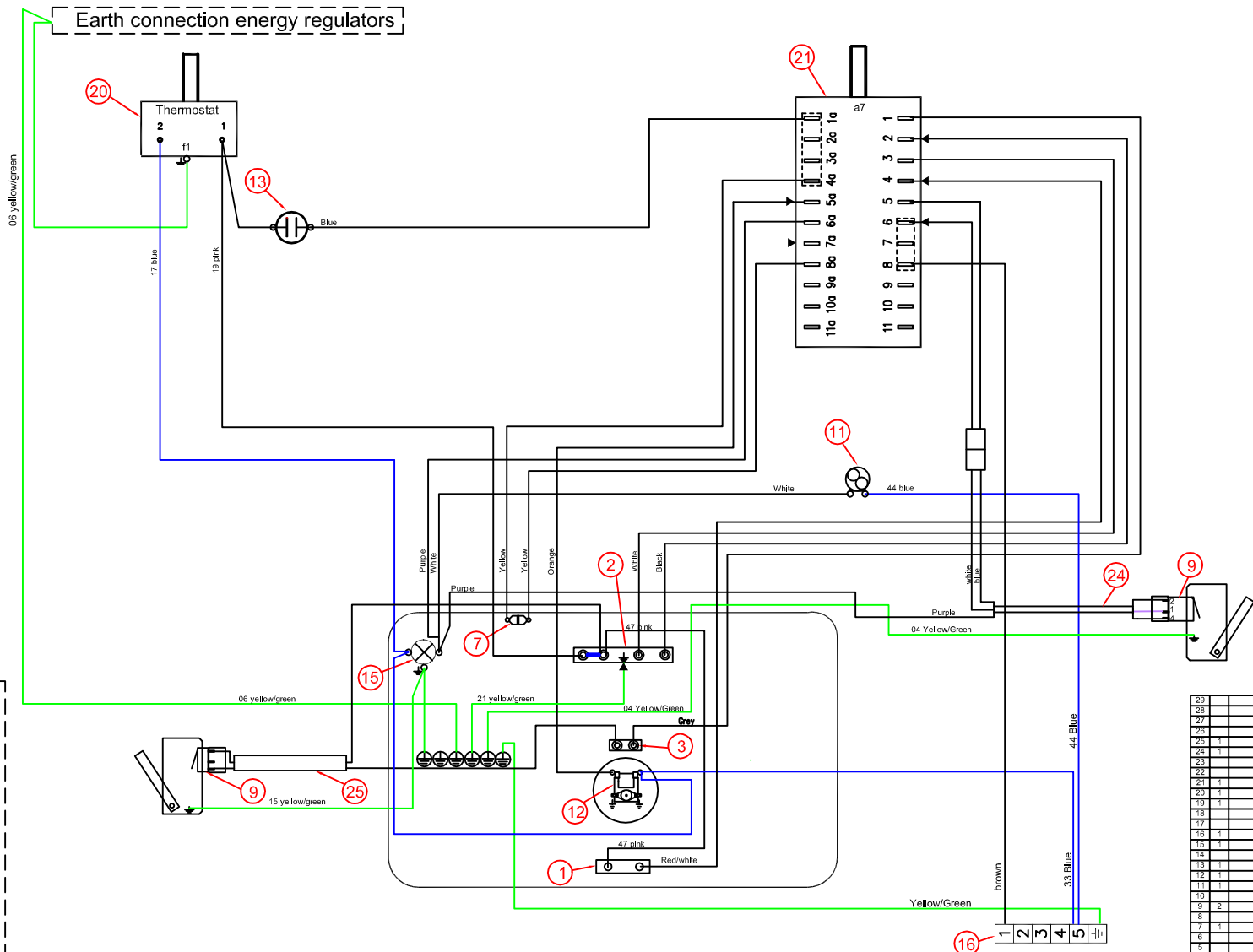
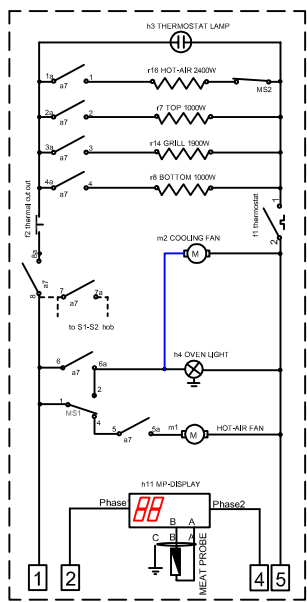


This drawing contains confidential information and is the property of Electrolux, without whose permission it shall not be reproduced, stored in a retrieval system or transmitted in any form or by any means, electronic, mechanical, photocopying, recording or otherwise, and it is to be returned immediately upon request to the design owner, who is responsible for the drawing.

Items shown in this drawing must not contain substances that are banned according to Directive 2002/95/EC, the RoHS Directive. Chemicals, heavy metals, hazardous substances and other restricted materials shall be "Banned" or "Restricted" according to the Electrolux Restricted Materials List.



29		
28		
27		
26		
25	1	Wiring door switch
24	1	Wiring door switch
23		
22		
21	1	Main oven selector
20	1	Thermostat main oven
19	1	Timer / Display
18		
17		
16	1	Main terminal
15	1	Oven lamp rear
14		
13	1	Control lamp
12	1	Hot air motor
11	1	Cooling fan
10		
9	2	Micro switch
8		
7	1	Thermostat safety
6		
5		
4		
3	1	Heating element (top)
2	1	Heating element top
1	1	Heating element bottom
Pos. No.		Components

ID	Description	Elux part No.
21	Wiring oven harness	349 5918-04
24	Wiring door switch	349 5849-01
25	Wiring door switch	349 4194-01
	List of crimp contacts	330 1766
	Component list	330 2222
	Insulation house	330 4175

230V Induction Flins

A First edition		S.A.H	ABS6332	2008-01-15
POS.	MODIFICATIONS	SIGNATURE	REQUEST	DATE
MATERIAL	WEIGHT	DESIGN USERS	REPLACES	EUROPEAN METHOD
FRONTMONT			DERIVED FROM	
DESIGN OWNER	DRN S.A.H	CP S.A.H	REWORKED BY	SUPPLY SPECIFICATIONS
DATE 2008-01-15	APP S.A.H	REWORKED BY		
TITLE			Wiring oven assembly	
Electrolux		NUMBER	349 5880	
		REVISION	A	
		SHEET	A	

349 5851-02									
VARIANT NUMBER	REPLACED NUMBER	POS.	MODEL	DESIGN USERS	CHANGES FROM THE BASE NUMBER				