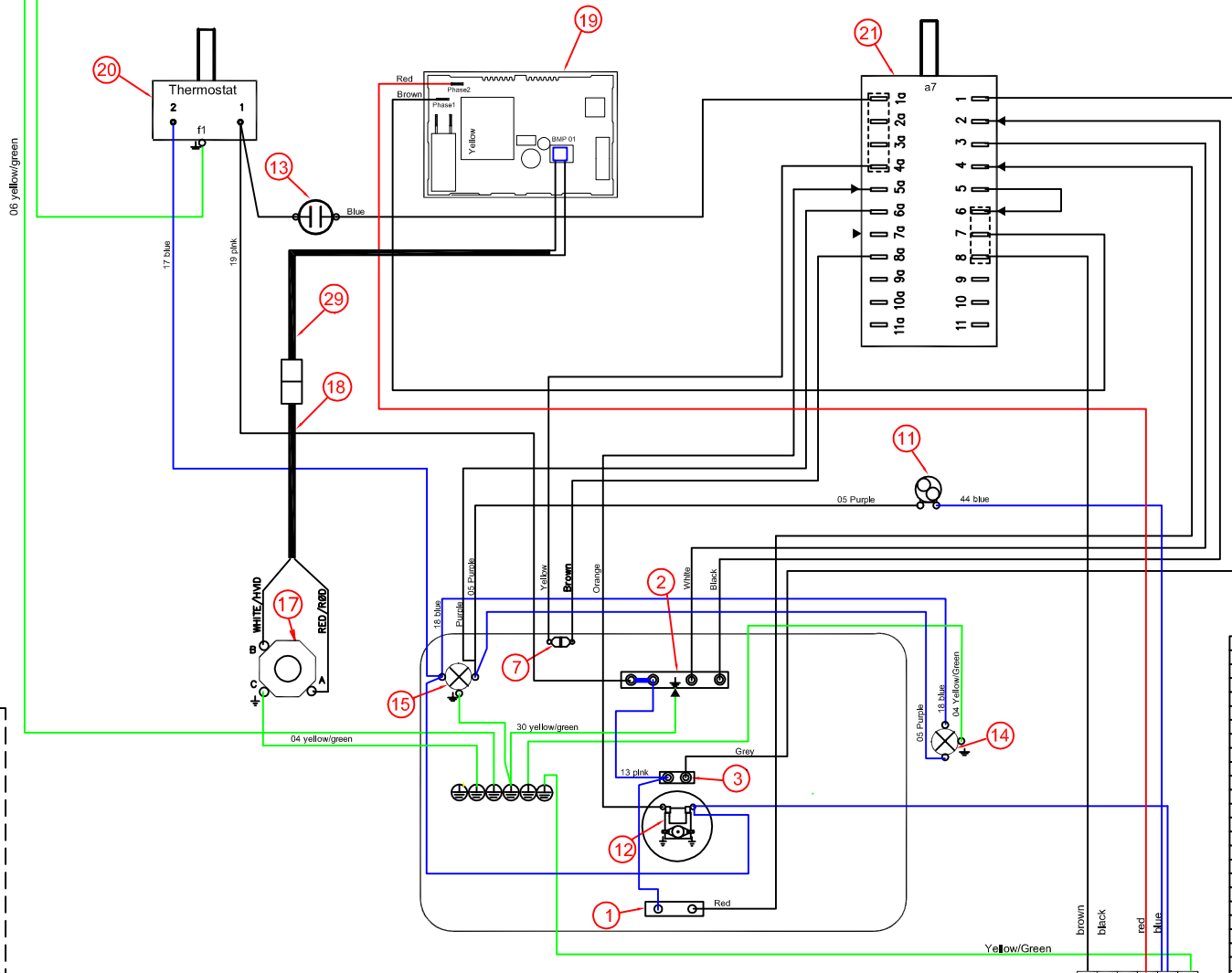


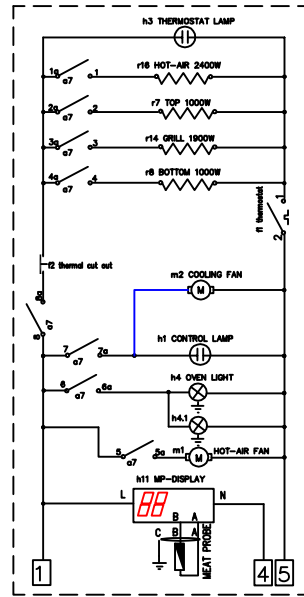
This drawing contains confidential information and is the property of Electrolux, without whose permission it may not be reproduced, stored in a retrieval system or otherwise used and it is to be returned immediately upon request to the design owner, who is responsible for the drawing.

Items shown in this drawing must not contain substances that are banned according to Directive 2002/95/EC, the RoHS Directive, or Directive 2006/66/EC, the Battery Directive. The design owner is responsible for ensuring that the components, parts and materials used in the design are "RoHS" or "Restrictive" according to the Electrolux Restricted Materials List.

Earth connection hob regulators



230V Induction Flins



ID	Description	Elux part No.
18	Wiring meat probe socket	349 5794-01
21	Wiring oven harness	349 5820-04
29	Wiring meat probe timer	349 5795-01
	List of crimp contacts	330 1766
	Component list	330 2222
	Insulation house	330 4175

29	1	Wiring meat probe-timer
28		
27		
26		
25		
24		
23		
22		
21	1	Main oven selector
20	1	Thermostat main oven
19	1	Timer / Display
18	1	Wiring meat probe socket
17	1	Meat probe socket
16	1	Main terminal
15	1	Oven lamp rear
14	1	Oven lamp side
13	1	Control lamp
12	1	Hot air motor
11	1	Cooling fan
10		
9		
8		
7	1	Thermostat safety
6		
5		
4		
3	1	Heating element ring
2	1	Heating element top
1	1	Heating element bottom
Pos	No	Components

VARIANT NUMBER	REPLACED NUMBER	POS.	MODEL	DESIGN USERS	CHANGES FROM THE BASE NUMBER
349 5819-02					

A First edition		S.Ah	ABS6332	2007-12-19
POS.	MODIFICATIONS	SIGNATURE	REQUEST	DATE
MATERIAL	WEIGHT	DESIGN USERS	REPLACES	EUROPEAN METHOD
TREATMENT			DERIVED FROM	
DESIGN OWNER	DRN S.Ah	CP S.Ah	SUPPLY	SUPPLY SPECIFICATIONS
DATE	2007-12-19	APP S.Ah	REVIEWER	
TITLE				Wiring oven assembly Induction
<b>Electrolux</b>			NUMBER	349 5819
			REV	A
			SHEET	