

This drawing contains confidential information and is the property of Electrolux, without whose permission it shall not be reproduced, stored in a retrieval system or otherwise used and it is to be returned immediately upon request to the design owner, who is responsible for the drawing.

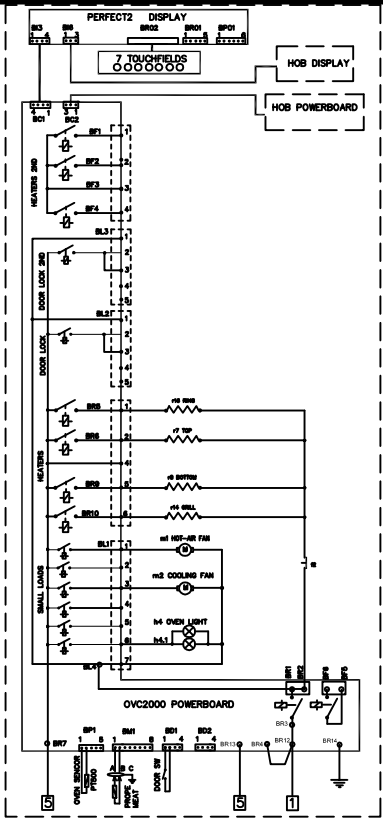
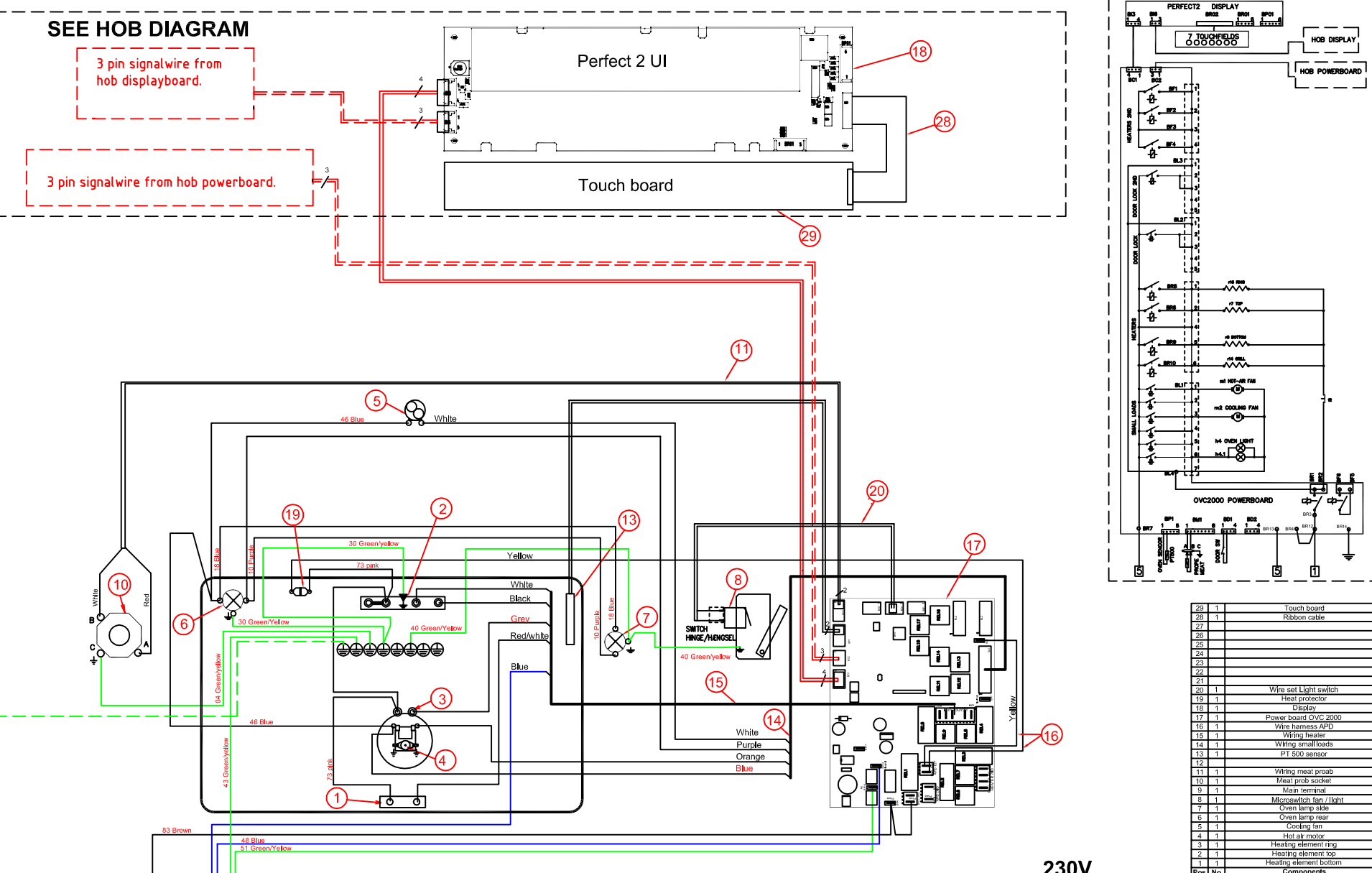
Items shown in this drawing must not contain substances that are banned according to Directive 2002/95/EC, the RoHS (Pb, Hg, Cd, Cr(VI), Ni, Hexavalent Chromium, PBB, and PBDE) and Directive 2002/61/EC, the ErP (Energy Related Products) Directive. Components "Banned" or "Restricted" according to the Electrolux Restricted Materials List.

SEE HOB DIAGRAM

3 pin signalwire from hob displayboard.

3 pin signalwire from hob powerboard.

Green/Yellow earth connector from hob



Pos	No	Components
29	1	Touch board
28	1	Ribbon cable
27	1	
26		
25		
24		
23		
22		
21		
20	1	Wire set Light switch
19	1	Heat protector
18	1	Display
17	1	Power board OVC 2000
16	1	Wire harness APD
15	1	Wiring heater
14	1	Wiring small loads
13	1	PT 500 sensor
12		
11	1	Wiring meat prob
10	1	Meat prob socket
9	1	Main terminal
8	1	Microswitch fan / light
7	1	Oven lamp sbs
6	1	Oven lamp rear
5	1	Cooling fan
4	1	Hot air motor
3	1	Heating element ring
2	1	Heating element top
1	1	Heating element bottom

ID	Description	Elux part No.
11	Wiring meat prob socket	349 5346-01
14	Wiring oven harness	349 5334-04
	List of crimp contacts	330 1766
	Component list	330 2222
	Insulation house	330 4175

230V

A First edition		S.A.H	ABS 6116	2007.12.17
POS	MODIFICATIONS	SIGNATURE	REQUEST	DATE
MATERIAL	SCALE	DESIGN USERS	REPLACES	EUROPEAN METHOD
TREATMENT	WEIGHT		DERIVED FROM	
DESIGN OWNER	DATE	DATE	TITLE	SUPPLY SPECIFICATIONS
	2007.12.17	2007.12.17	Wiring oven assembly	
Electrolux			NUMBER	349 5808
			REV	A
			SHEET	