

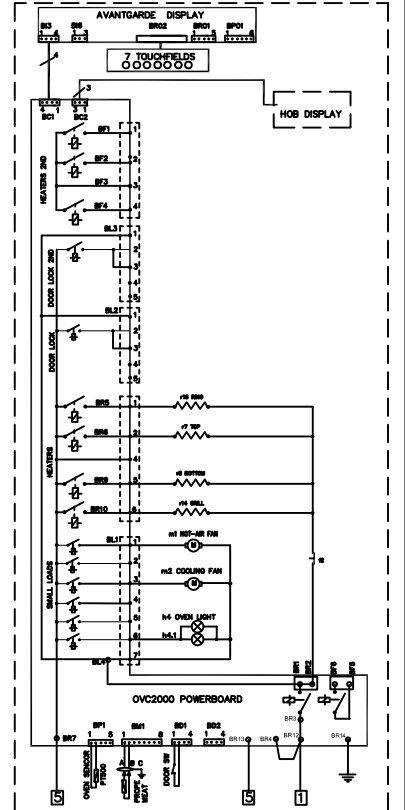
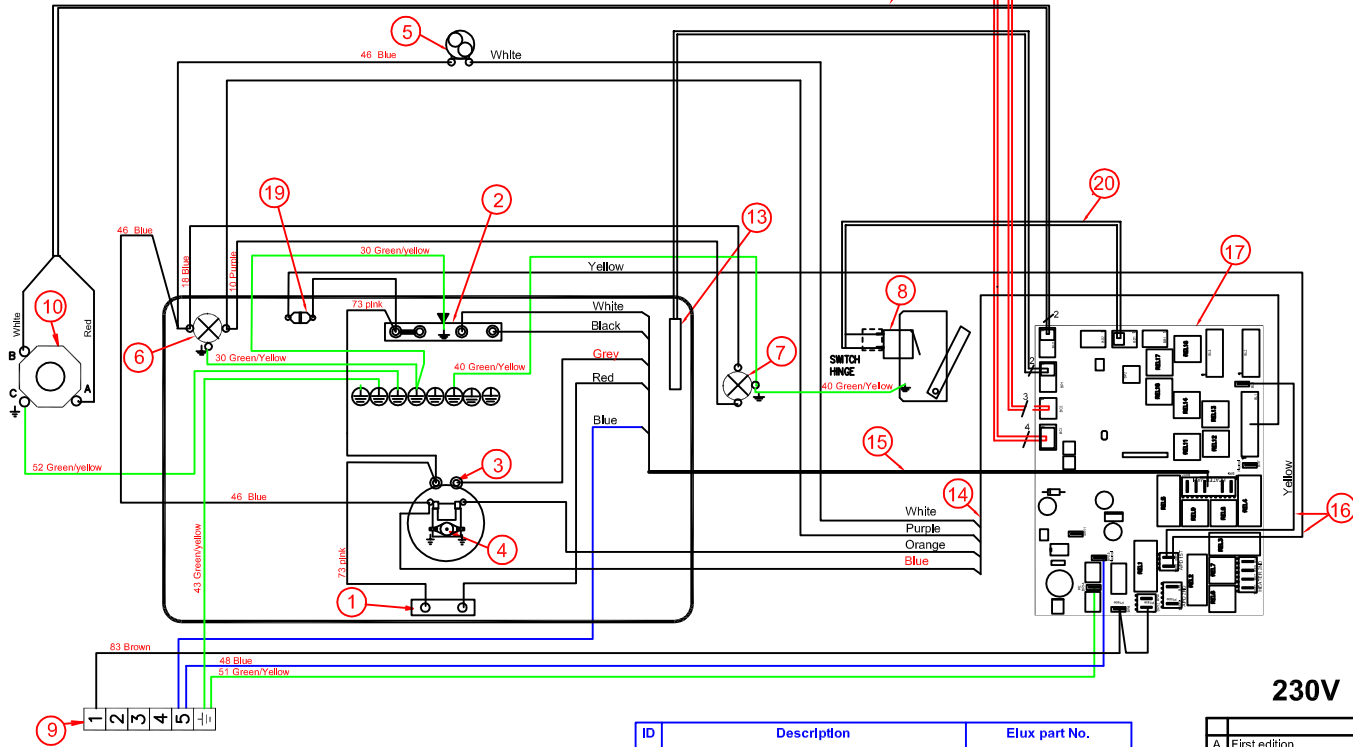
This file only contains technical information and is the property of Electrolux. Without express permission it may not be copied, shown or handed to a third party. Any use of this information without the express request of the design owner, who is responsible for the drawing.

Items shown in this drawing must not contain substances that are banned according to Directive 2002/95/EC, the RoHS Directive (Lead, Cadmium, Mercury, Hexavalent Chromium, PBB and PBDE), or substances classified as "very toxic" or "extremely toxic" according to the European Restricted Materials List.

SEE HOB DIAGRAM

3 pin signalwire from INDUCTION powerboard.

Touch board



29	1	Touch board
28	1	Ribbon cable
27	-	
26	-	
25	-	
24	-	
23	-	
22	-	
21	1	Wire set Induction -OVC2000
20	1	Wire set Light switch
19	1	Heat protector
18	1	Display Avantgarde
17	1	OVC 2000 power board
16	1	Wire set APD
15	1	Wire set Heater
14	1	Wire set small loads
13	1	Oven PT500 sensor
12	1	Wire set MACS OVC 2000 - display
11	1	Wire set meat probe
10	1	Lack socket meat probe
9	1	Main terminal
8	1	Microswitch fan / light
7	1	Oven lamp slide
6	1	Oven lamp back
5	1	Coilfan fan
4	1	Fan motor hot air
3	1	Heating elem. hot air
2	1	Heating elem. top
1	1	Heating elem. lower

230V Induction

ID	Description	Elux part No.
11	Wiring meat probe	349 5346-01
15	Wiring OVC2000 harness	349 5334-04
20	Wiring door switch	349 5305-01
	List of crimp contacts	330 1766
	Component list	330 2222
	Insulation house	330 4175

A First edition		S.A.H	ABS 6332	2008-01-09
POS.	MODIFICATIONS	SIGNATURE	REQUEST	DATE
MATERIAL	SCALE	DESIGN USERS	REPLACES	EUROPEAN METHOD
TREATMENT	WEIGHT	DERIVED FROM	SUPPLY SPECIFICATIONS	
DESIGN OWNER	DATE	TITLE	Wiring oven assembly	
		NUMBER	349 5802	
349 5802-02 VARIANT NUMBER REPLACED NUMBER POS. MODEL DESIGN USERS CHANGES FROM THE BASE NUMBER		REV	A	