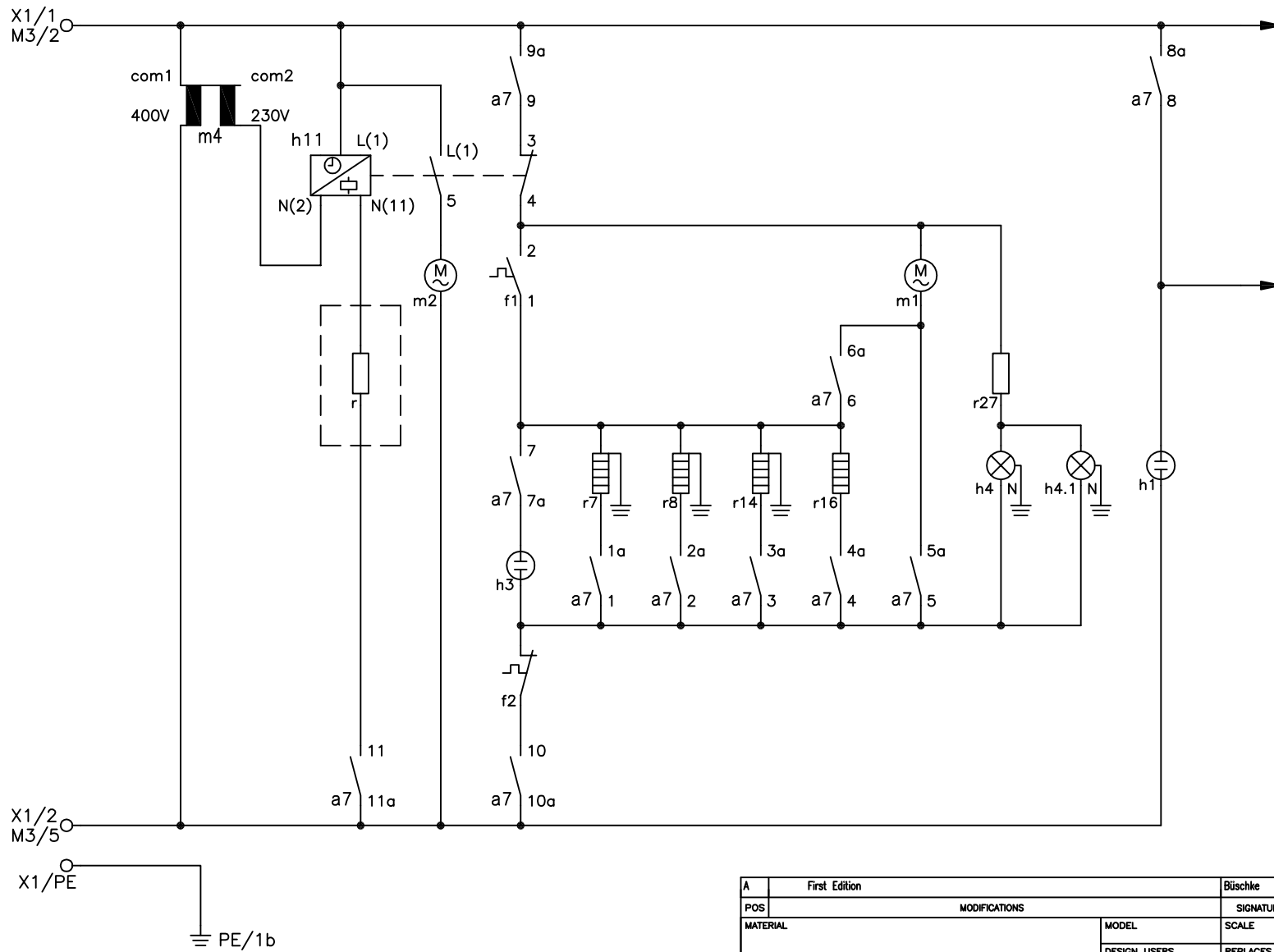


Items shown in this drawing must not contain substances that are banned according to Directive, 2002/95/EC, the RoHS Directive (Lead, Cadmium, Mercury, hexavalent Chromium, PBB and PBDE), or substances classified as "Banned" or "Restricted" according to the Electrolux Restricted Materials List.
 This drawing contains confidential information and is the property of Electrolux, without whose permission it may not be copied, shown or handed to a third party or otherwise used and it is to be returned promptly, together with the design owner, who is responsible for the drawing.



GENERAL TOLERANCES
 ANGLES
 LENGTHS AND DIAMETERS

315 9124 00	315 8566 00				
VARIANT NUMBER.	REPLACED NUMBER	POS.	MODEL	DESIGN USERS	CHANGES FROM THE BASE NUMBER

A		First Edition		Büschke	DGT 62254	2008-07-17
POS		MODIFICATIONS		SIGNATURE	REQUEST	DATE
MATERIAL			MODEL		SCALE	
TREATMENT			DESIGN USERS		REPLACES No	
DESIGN OWNER			WEIGHT		DERIVED FROM No	
DGT			DATE 2008-04-17		SUPPLY SPECIFICATIONS No	
DRN			CHD Büschke		2D ONLY	
DATE 2008-04-17			APPR Büschke		CONCEPT 3D	
					EXACT 3D	
TITLE circuit diagram						
Schaltplan						
NUMBER 315 9124					REV	A
					SHEET	1/1

