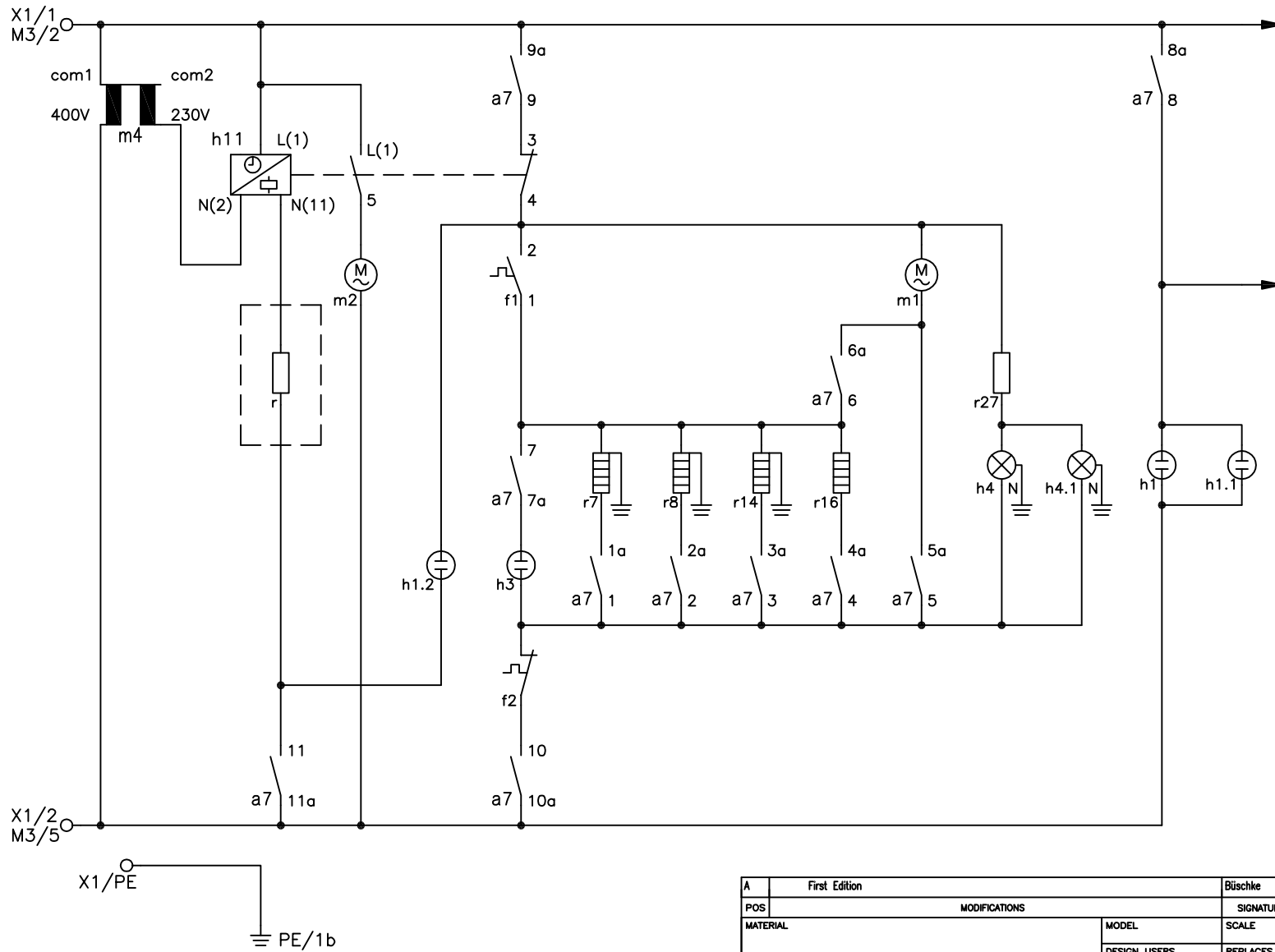


Items shown in this drawing must not contain substances that are banned according to Directive, 2002/95/EC, the RoHS Directive (Lead, Cadmium, Mercury, hexavalent Chromium, PBB and PBDE), or substances classified as "Banned" or "Restricted" according to the Electrolux Restricted Materials List.
 This drawing contains confidential information and is the property of Electrolux, without whose permission it may not be copied, shown or handed to a third party or otherwise used and it is to be returned promptly upon request to the design owner, who is responsible for the drawing.



GENERAL TOLERANCES
 ANGLES
 LENGTHS AND DIAMETERS

315 9121 00	315 8546 00				
VARIANT NUMBER.	REPLACED NUMBER	POS.	MODEL	DESIGN USERS	CHANGES FROM THE BASE NUMBER

A		First Edition		Büschke	DGT 62254	2008-07-17
POS		MODIFICATIONS		SIGNATURE	REQUEST	DATE
MATERIAL			MODEL		SCALE	
TREATMENT			DESIGN USERS		REPLACES No	
DESIGN OWNER			DRN		DERIVED FROM No	
DGT			DATE 2008-04-17		SUPPLY SPECIFICATIONS No	
			CHD Büschke		EUROPEAN METHOD	
			APPR Büschke		TITLE circuit diagram	
					Schaltplan	
					NUMBER 315 9121	
					REV A	
					SHEET 1/1	

