

# Kabelbäume / cable harness

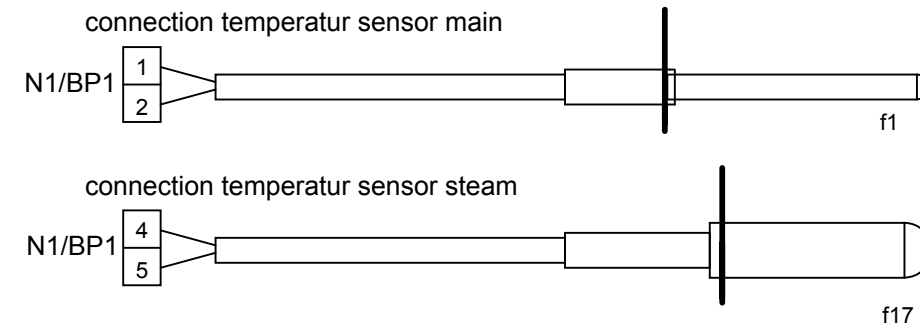
pos	Elux No	Powerboard N1	group connectors	Anschluss / connection
01	315 7507 00	APD 1ST IN	N1/BR12	1 br → C X1/L, X1/3
			N1/BR3	2 vio → C N1/Phase BR4
02	315 7433 01	APD 1ST OUT	N1/BR1	1 sw → C f2.1
			N1/BR2	2 ws → C N1/ BL4
03	315 7352 02	Heater Main	N1/BR5	1 gr → C r16
			N1/BR6	2 sw → C r7
			N1/BR8	4 or → C f2.2
			N1/BR9	5 rt → C r8
			N1/BR10	6 br → C r14
			small loads	1 bl → C m1/1
04	315 7434 01		2 rt → C A2/1	
			3 ws → C A1/1	
			4 vio → C m2/2	
			5 gr → C m2/3	
			6 or → C h4/L	
			7 or → C m1/2 (pos01)	
			05	330 6940 00
06	387 2605 02	power supply lightbar platine	1 vio → C X1/L, X1/3	
			2 ws → C X1/N, X1/5	
			3	
07	387 1222 00	connection DS for Light switsch N1/BD1		Door switch for light
08	387 2552 00	lightbar platine BR01		lightbar left
				lightbar right
09	387 2586 00	lightbar platine BR02		N3 / BI 5

## Einzellitzen / single wires

pos	Kontaktfolge contact	Auflösung structure explanation	Farbe colour	min Querschnitt min cross section
01	m1/2 - h4/N - A1/2 - m2/1 - A2/2	184 - 400 - 195 - 500 - 195 - 300 - 195 - 300 - 194	or	0,75 .94
02	*f2.1 - r7 - r14 - r16 - *r8	▶194 - 150 - 195 - 100 - 195 - 150 - 195 - 350 - ▶194	sw	1,0 .95
03	PE/1b - *N1/PE BR14	184 - 260 - ▶194	gng	1,0 143
04	h4/PE - PE/1b - (r7+r14)/PE	194 - 120 - 195 - 250 - 194	gng	1,0 .01
05	N1/BF3 - N1/BR7	▶194 - 100 - 194	bl	1,0 126
06	X1/5(N) - N1/BR13	194 - 250 - 194	bl	1,0 .96
07	X1/5(N) - F2.2	194 - 550 - 194	bl	0,75 .05

# Kanban order from factory Ist in Stückliste vorgegeben

pos	Elux No	Anschluss / connection	Anschluss / connection
01	387 2606 00	touch input left	user interface left
02	387 2606 00	touch input right	user interface right
03	330 7046 00	N1/BM1	ws → C b3/B rt → C b3/A meat probe
04	315 8651 01	PE1/1b h4/N h4/L	gng → C h4.1/PE bl → C h4.1/N or → C h4.1/L
05	315 8654 00	f3.1/170° f3.1/170° f3.2/120° f3.2/120° r5	or → C BF4 ws → C r26 sw → C r7 (pos2) gng → C h9/2 PE/1b



Bezeichnung	designation	Elux Sachnummer / Elux part no.
* ► Isolierhülse	insulation housing	
Liste Anschlagteile	list of crimp contacts	330 1766 00
Betriebsmittelliste	list of components	330 2222 00
Liste Einzellitzen	list of single wires	315 6867 00
Zeichnung OVC	drawing OVC	330 6807 00
Leitungsmaterial	material of wire	330 5273 00

A First edition		Büschke	DGT54134	2007-09-11
MODIFICATIONS		SIGNATURE	REQUEST	DATE
MATERIAL	MODEL	SCALE		EUROPEAN METHOD
TREATMENT	WEIGHT	DESIGN USERS		REPLACES
DESIGN OWNER	DRN	CHD	2D ONLY	X
DGT	DATE 2007-09-11	APPR	CONCEPT 3D	-
TITLE		wiring oven steam		
Verdrahtung Ofen Dampf		NUMBER 315 8932		
REV		A		
1/1				



This drawing contains confidential information and is the property of Electrolux, without whose permission it may not be copied, shown or handed to a third party or otherwise used and it is to be returned promptly upon request to the design owner, who is responsible for the drawing.

Items shown in this drawing must not contain substances that are banned according to Directive, 2002/95/EC, the RoHS Directive (Lead, Cadmium, Mercury, hexavalent Chromium, PBB and PBDE), or substances classified as "Banned" or "Restricted" according to the Electrolux Restricted Materials List.