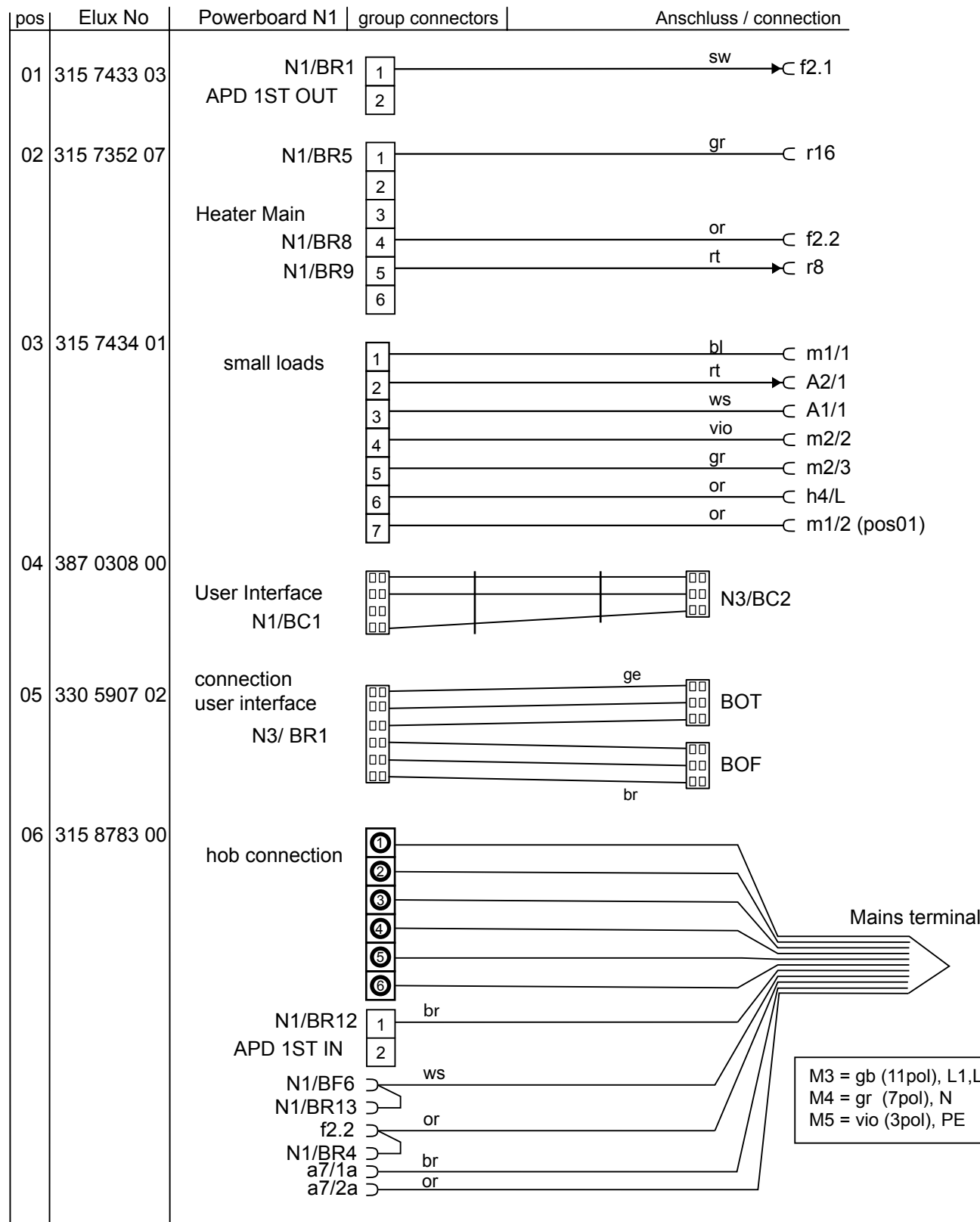
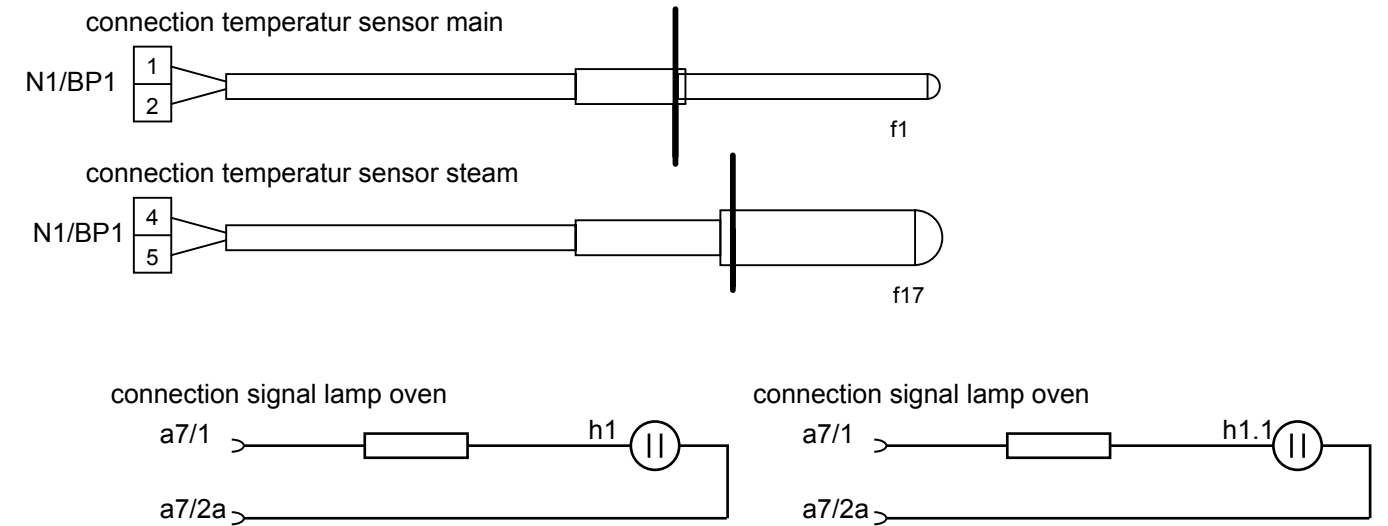
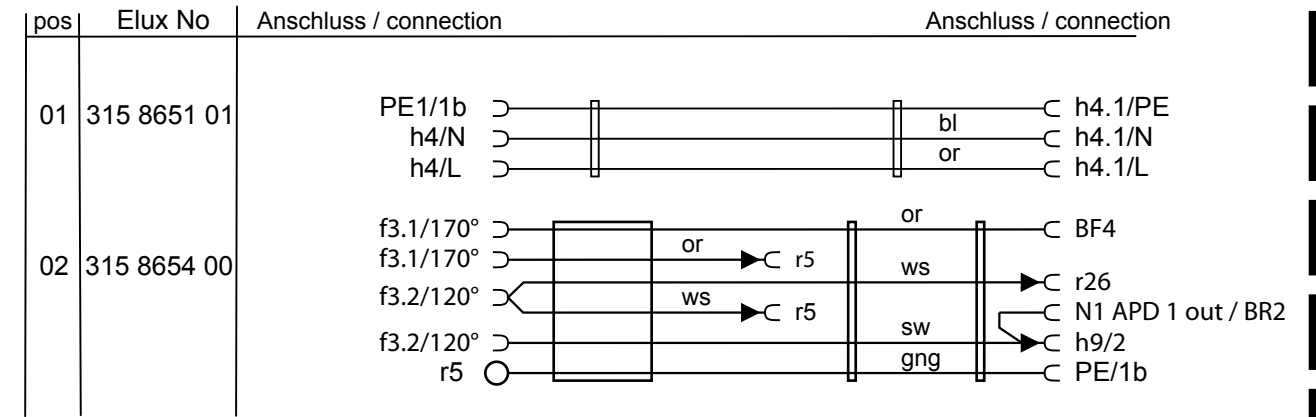


Kabelbäume / cable harness



Kanban order from factory Ist in Stückliste vorgegeben



M3 = gb (11pol), L1,L2,L3	1, 2, 3
M4 = gr (7pol), N	4, 5
M5 = vio (3pol), PE	PE

Bezeichnung	designation	Elux Sachnummer / Elux part no.
* ► Isolierhülse	insulation housing	
Liste Anschlagteile	list of crimp contacts	330 1766 00
Betriebsmittelliste	list of components	330 2222 00
Liste Einzellitzen	list of single wires	315 6867 00
Zeichnung OVC	drawing OVC	330 6807 00
Leitungsmaterial	material of wire	330 5273 00

Einzellitzen / single wires

pos	Kontaktfolge contact	Auflösung structure explanation	Farbe colour	min Querschnitt min cross section
01	m1/2 - h4/N - A1/2 - A2/2	184 - 400 - 195 - 500 - 195 - 300 - 195 - 300 - 194	or	0,75 .94
02	*f2.1 - r16 - *r8	► 194 - 150 - 195 - 350 - 194 ►	sw	1,0 117
03	PE/1b - *N1/PE BR14	184 - 260 ► 194	gng	1,0 143
04	h4/PE - PE/1b	194 - 140 - 194	gng	1,0 .56
05	N1/BF3 - N1/BR7	► 194 - 100 - 194	bl	1,0 126
06	N1/APD2nd BF5 - N1/BL4	194 - 180 - 194	sw	0.75 113
07	r26 - h9/1	► 194 - 120 - ► 194	sw	0.75 .28

B	change connection buzzer , old : over coupler (single wire Pos. 02 , 144/117) new : direct as OVC 2000 N1 APD out / BR2	Büschke	DGT 57723	2007-12-05
A	First edition	Büschke	DGT54134	2007-09-11
POS	MODIFICATIONS	SIGNATURE	REQUEST	DATE
MATERIAL		DESIGN USERS	SCALE	EUROPEAN METHOD
TREATMENT	WEIGHT	DERIVED FROM	REPLACES	
DESIGN OWNER	DRN - CHD - 2D ONLY X	SUPPLY SPECIFICATIONS		
DGT	DATE 2007-09-11 APPR - CONCEPT 3D - EXACT 3D -	TITLE wiring oven steam		
Electrolux		Verdrahtung Ofen Dampf		
315 8930 00		NUMBER	315 8930	REV B
VARIANT NUMBER		REPLACED NUMBER	POS.	MODEL
DESIGN USERS		CHANGES FROM THE BASE NUMBER		

This drawing contains confidential information and is the property of Electrolux, without whose permission it may not be copied, shown or handed to a third party or otherwise used and it is to be returned promptly upon request to the design owner, who is responsible for the drawing.

Items shown in this drawing must not contain substances that are banned according to Directive, 2002/95/EC, the RoHS Directive (Lead, Cadmium, Mercury, hexavalent Chromium, PBB and PBDE), or substances classified as "Banned" or "Restricted" according to the Electrolux Restricted Materials List.

GENERAL TOLERANCES
 ANGLES
 LENGTHS AND DIAMETERS