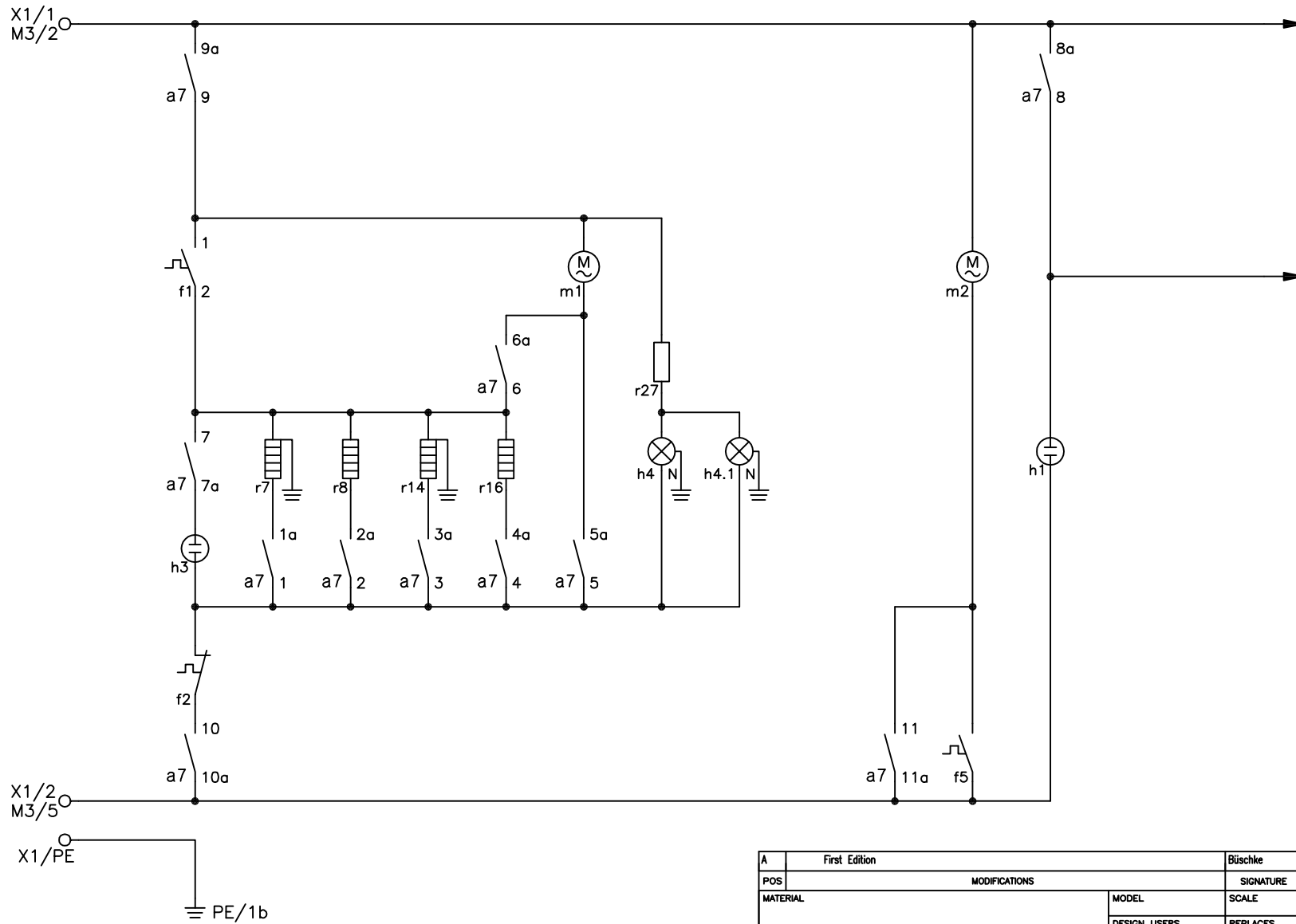


Items shown in this drawing must not contain substances that are banned according to Directive, 2002/95/EC, the RoHS Directive (Lead, Cadmium, Mercury, hexavalent Chromium, PBB and PBDE), or substances classified as "Banned" or "Restricted" according to the Electrolux Restricted Materials List.

This drawing contains confidential information and is the property of Electrolux, without whose permission it may not be copied, shown or handed to a third party or otherwise used and it is to be returned promptly to the design owner, who is responsible for the drawing.

1 2 3 4 5 6 7 8



GENERAL TOLERANCES  
ANGLES AND DIAMETERS  
LENGTHS AND DIAMETERS

VARIANT NUMBER	REPLACED NUMBER	POS.	MODEL	DESIGN USERS	CHANGES FROM THE BASE NUMBER

A First Edition				Büschke	DGT 45448	2006-11-14
POS			MODIFICATIONS			
MATERIAL			MODEL		SCALE	
TREATMENT			DESIGN USERS		REPLACES No	
DESIGN OWNER			DRN		DERIVED FROM No	
DGT			DATE 14.11.2006		SUPPLY SPECIFICATIONS No	
CHD Büschke			2D ONLY			
APPR Büschke			CONCEPT 3D			
			EXACT 3D			
TITLE circuit diagram						
Schaltplan						
NUMBER 315 8564					REV A	
					SHEET	1/1

