

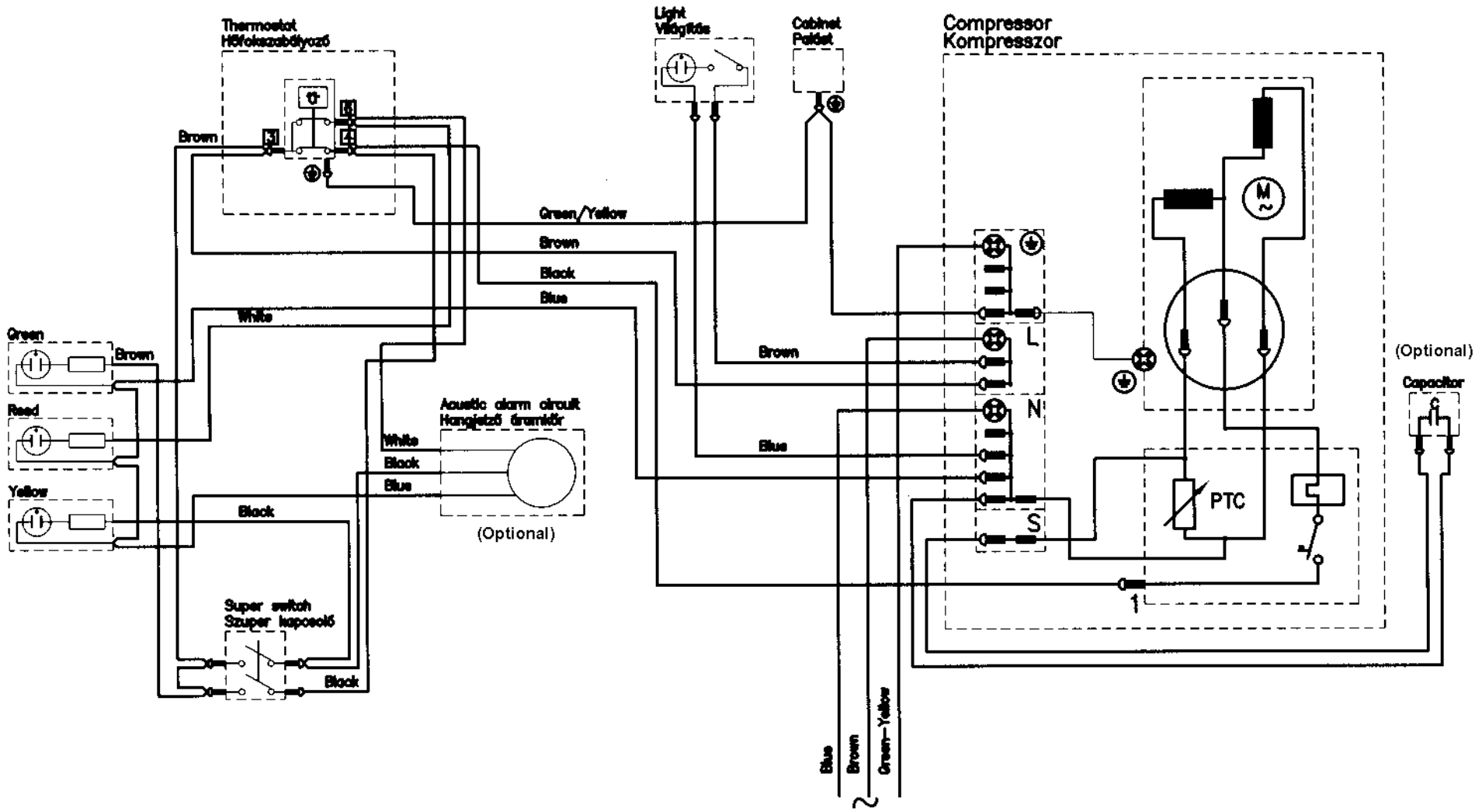
The drawing contains confidential information and is the property of Műszaki Elektrotechnika Szociális Szövetkezet. It may not be copied, stored or reproduced in any form or by any means, and it is to be returned promptly upon request to Műszaki Elektrotechnika Szociális Szövetkezet, which is responsible for the drawing.

Critical dimensions which must be under custody
 Variable surfaces.
 Draft angles (not shown)

GENERAL TOLERANCES: INDUSTRIAL DAT AREA
 ANGLES: ...
 DIMENSIONS AND DIMENSIONS: ENCLOSED DAT AREA
 DIM: ...
 Part: ...

THE ITEMS SHOWN IN THIS DRAWING MUST NOT CONTAIN POLYPROPYLENE OR POLYURETHANE EXPLODED

ELECTROLUX OFFICIAL QUALITY STANDARDS MAKE 7801
 ELECTROLUX is the registered trademark of Electrolux AB, SE-461 82, Sweden.
 The Data for the application is: 79150.11 and in 801.801.30.11



MODIFICATIONS				SIGNATURE	REQUEST	DATE
MATERIAL New Control Panel, ACC... compr., Light and sound				MODEL		SCALE
TREATMENT				DESIGN USERS		REPLACES No.
DESIGN OWNER				WEIGHT		DELIVERED FROM
DRN	CHD	DATE	SUPPLY SPECIFICATIONS No.			
VJ	APPR	2005.11.11.	TITLE Wiring diagram Kapcsolási vázlat			
NUMBER 291 40 73-46						REV -

Electrolux