

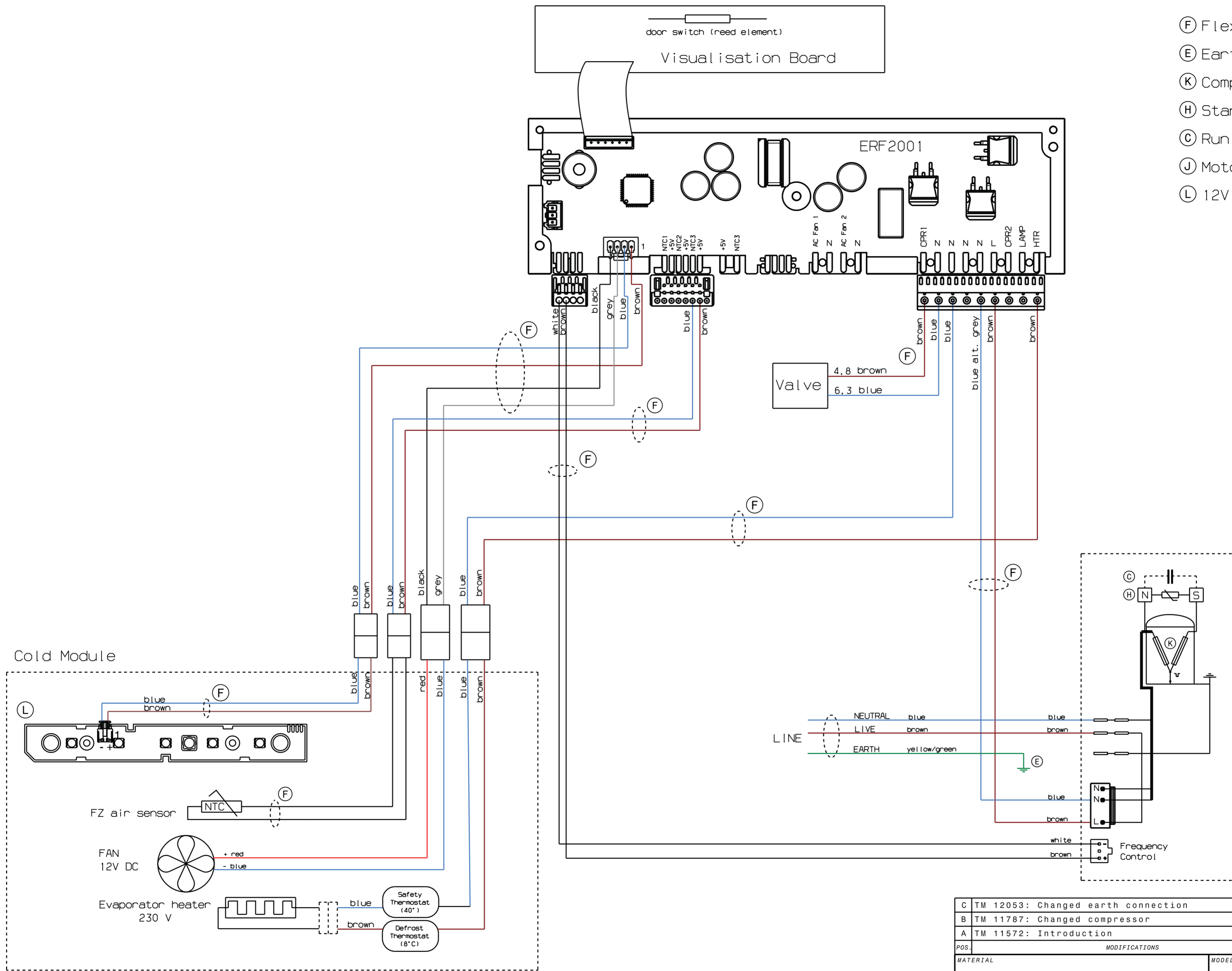
Dimensions, data and characteristics, which are subjected to Statistic Process Control (SPC) are marked with

This drawing contains confidential information and is the property of Electrolux, without whose permission it may be reproduced, stored in a retrieval system, or otherwise used and it is to be returned promptly upon request to the design owner, who is responsible for the drawing.

Components reflected by this drawing must not contain substances or coatings of any of the substances banned according to Dir. 2002/95/EC, RoHS, or substances on the REACH candidate list published on <http://echa.europa.eu/>. They have to conform in all respects with Electrolux "Restricted Materials List" as published on www.electrolux.com. Upon request documentation demonstrating compliance with these requirements shall be immediately provided by the supplier to Electrolux.

GENERAL TOLERANCES
ANGLES
LENGTHS AND DIAMETERS
ISO 2768 - m

Any approved discrepancy will be documented in the Inspection report.
Eventuella godkända avvikelser dokumenteras i Kontrollrapporten.



- ⓕ Flexible Cord
- ⓔ Earth Cabinet
- Ⓚ Compressor
- ⓗ Starting Device
- Ⓒ Run Capacitor
- Ⓝ Motor Protector
- Ⓛ 12V LED Light

| | | | |
|-----------------|------------------------------------|--------------|--------------|
| C | TM 12053: Changed earth connection | CF | 2012-02-02 |
| B | TM 11787: Changed compressor | CF | 2011-12-28 |
| A | TM 11572: Introduction | CF | 2011-09-29 |
| POS. | MODIFICATIONS | SIGNATURE | REQUEST |
| MATERIAL | | MODEL | SCALE |
| TREATMENT | | DESIGN USERS | REPLACES |
| WEIGHT | | ABF | DERIVED FROM |
| DESIGN OWNER | DRN | CF | CHD |
| ABF | DATE 2011-09-21 | APPR | 2D ONLY X |
| | | CONCEPT 3D | EXACT 3D |
| TITLE | | | |
| Wiring, Diagram | | | |
| Kopplingschema | | | |
| NUMBER | | REV | C |
| 243 3650 | | 1/1 | |

243 3650-00
VARIANT NUMBER

Electrolux

243 3650