

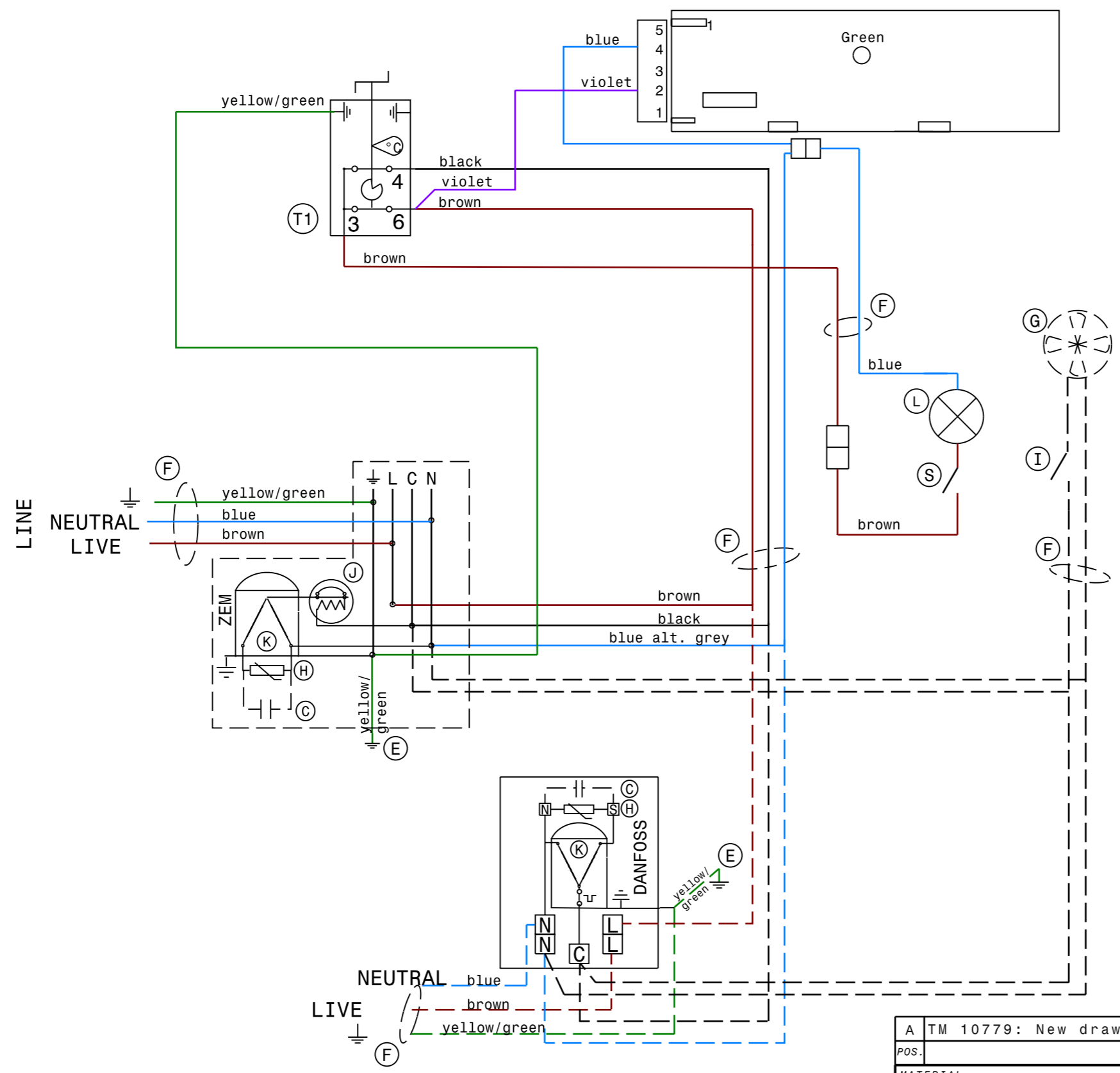
This drawing contains confidential information and is the property of Electrolux, without whose permission it may not be copied, shown or handed to a third party or otherwise used and it is to be returned promptly upon request to the design owner, who is responsible for the drawing.

Components reflected by this drawing must not contain substances or coatings of any of the substances banned according to Dir. 2002/95/EC, RoHS, or substances on the REACH candidate list published on <http://echa.europa.eu/>. They have to conform in all respects with Electrolux "Restricted Materials List" as published on www.electrolux.com. Upon request documentation demonstrating compliance with these requirements shall be immediately provided by the supplier to Electrolux.



GENERAL TOLERANCES
ANGLES
LENGTHS AND DIAMETERS

Dimensions, data and characteristics, which are subjected to Statistic Process Control (SPC) are marked with



- (C) RUN CAPACITOR
- (E) EARTH CABINET
- (F) FLEXIBLE CORD
- (H) STARTING DEVICE
- (J) MOTORPROTECTOR
- (L) LAMP
- (S) LAMP SWITCH
- (T1) THERMOSTAT FRIDGE
- (K) COMPRESSOR
- (G) Fan 230V (optional)
- (I) Fan Switch (optional)

Any approved discrepancy will be documented in the Inspection report.
Eventuella godkända avvikelser dokumenteras i Kontrollrapporten.

A TM 10779: New drawing				CF	2010-10-28
POS.		MODIFICATIONS		SIGNATURE	REQUEST
MATERIAL			MODEL	SCALE	EUROPEAN METHOD
TREATMENT			DESIGN USERS	REPLACES	
WEIGHT			ABF	DERIVED FROM	
DESIGN OWNER	DRN	CF	CHD	2D ONLY	X
ABF	DATE	2010-10-28	APPR	CONCEPT 3D	
				SUPPLY SPECIFICATIONS	
Electrolux					
TITLE				Wiring Diagram	
NUMBER				208 9863	
				REV	A
				SHEET	1 / 1