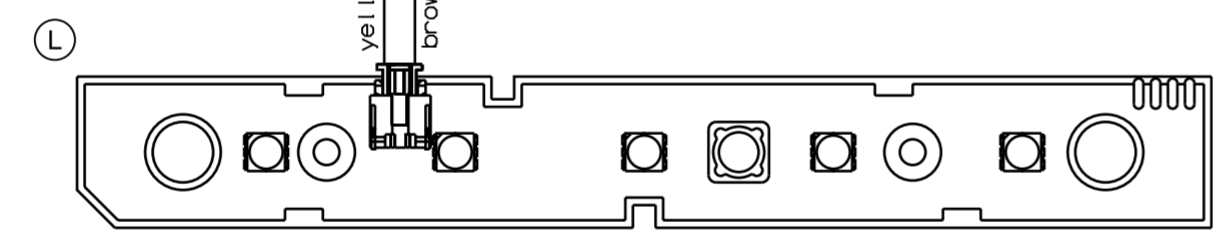
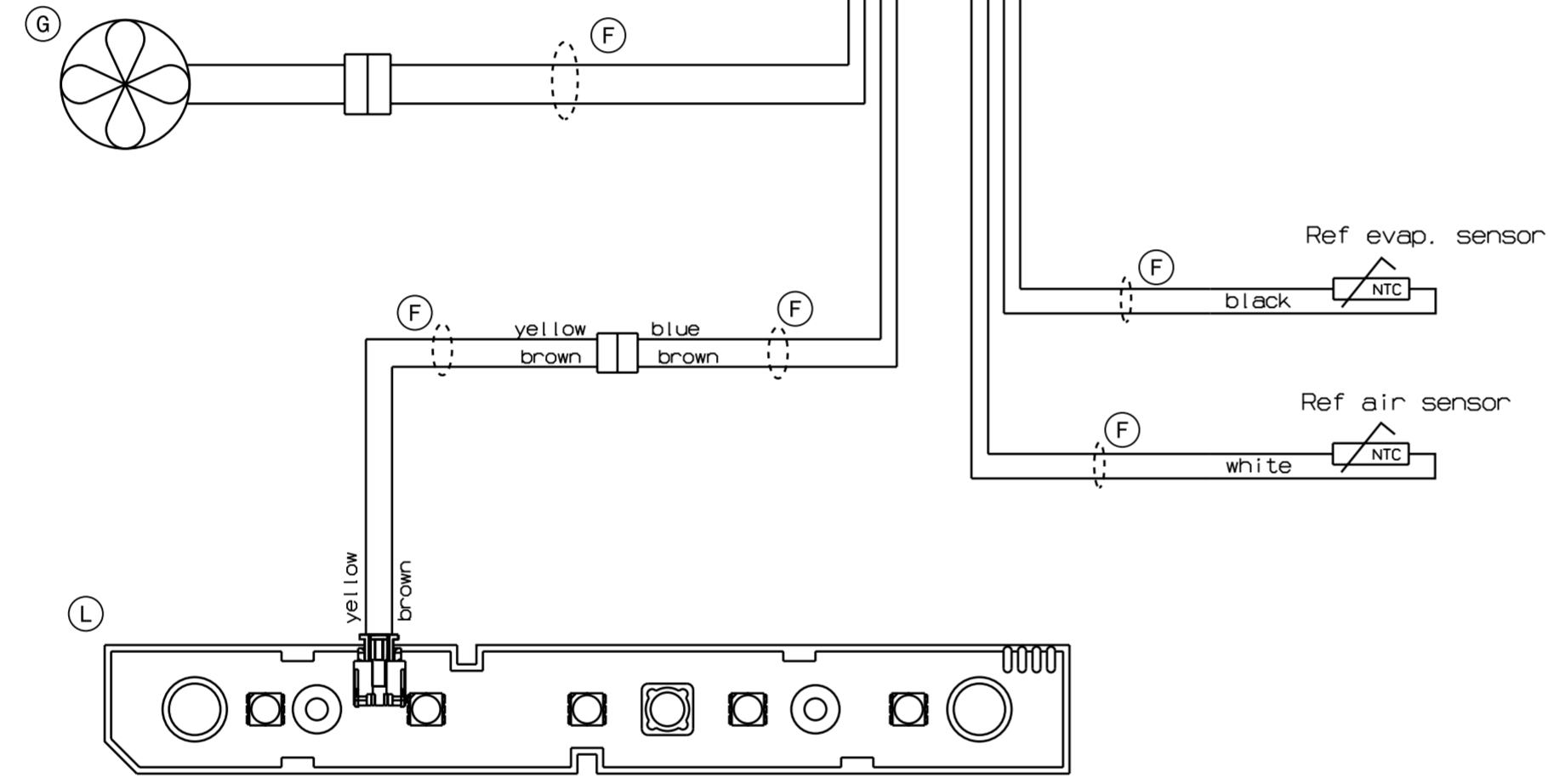
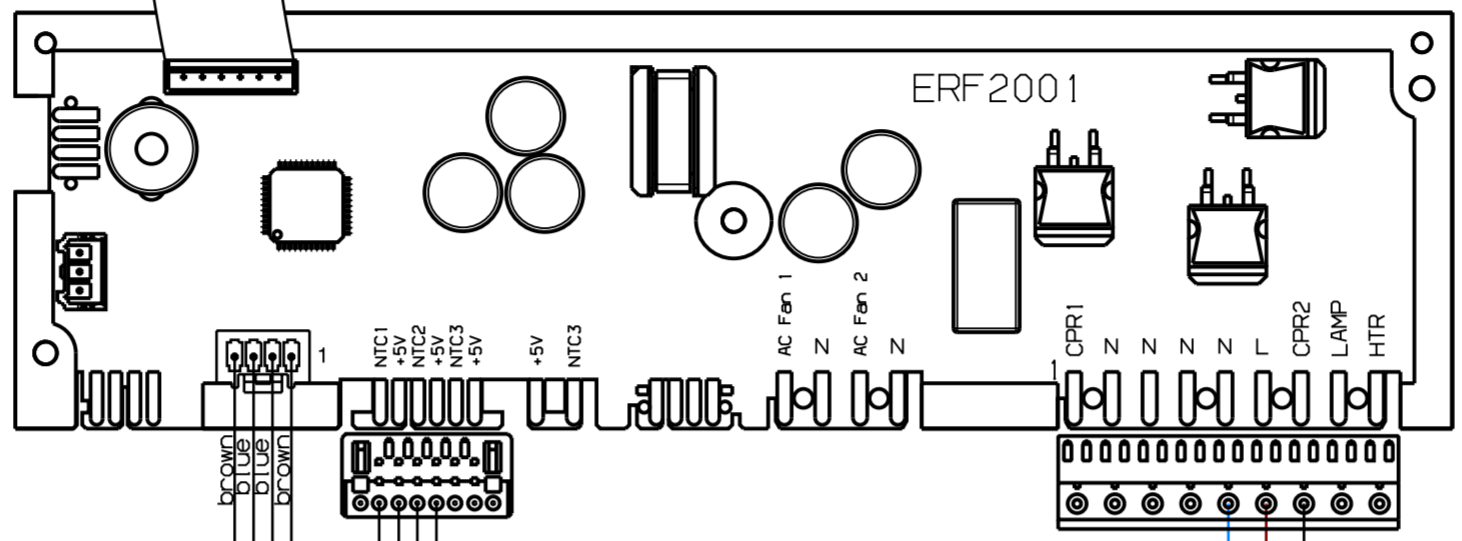
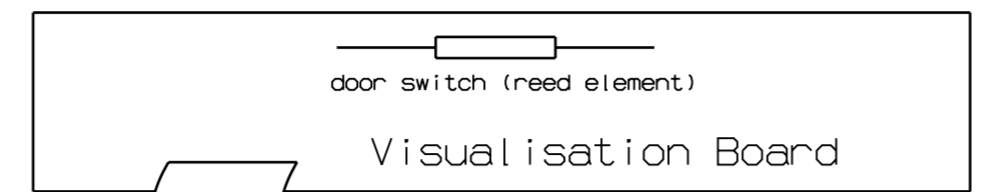


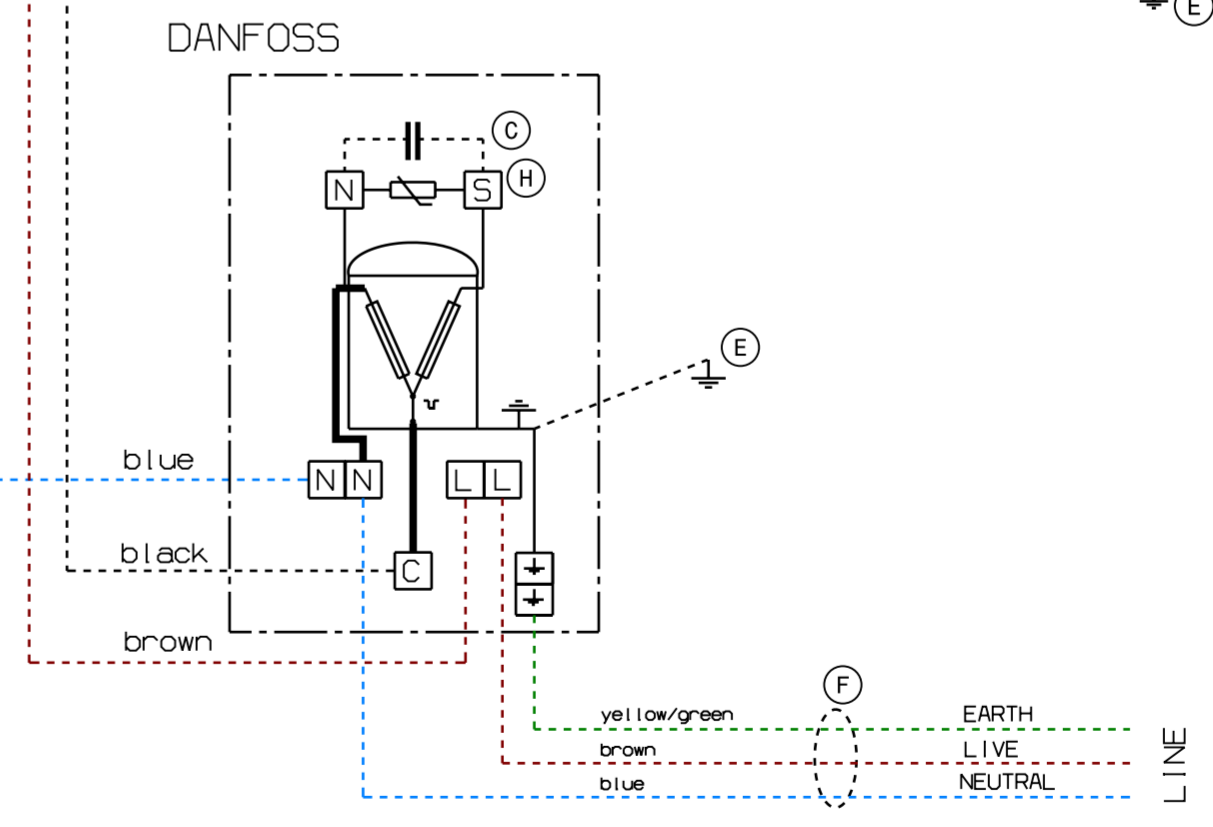
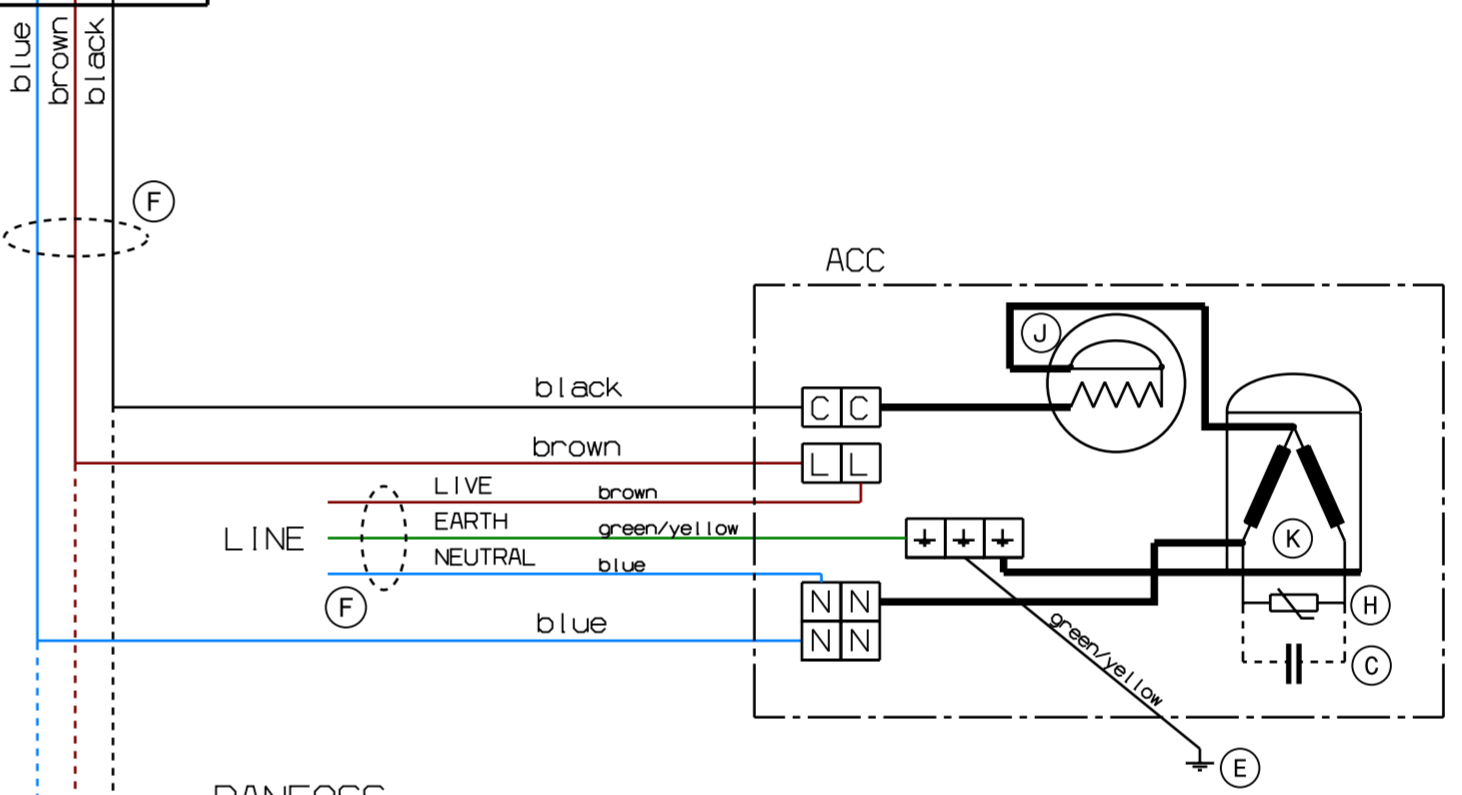
This drawing contains confidential information and is the property of Electrolux, without whose permission it may not be copied, shown or handed to a third party or otherwise used and it is to be returned promptly upon request to the design owner, who is responsible for the drawing.

Items shown in this drawing must not contain substances that are banned according to Directive, 2002/95/EC, the RoHS Directive (Lead, Cadmium, Mercury, hexavalent Chromium, PBB and PBDE), or substances classified as "Banned" or "Restricted" according to the Electrolux Restricted Materials List.

GENERAL TOLERANCES  
 ANGLES  
 LENGTHS AND DIAMETERS



- (K) Compressor
- (H) Starting Device
- (C) Run Capacitor
- (J) Motor Protector
- (F) Flexible Cord
- (E) Earth Cabinet
- (G) DME fan 12V DC
- (L) 12V LED Light



A TM 10426: New drawing		CF	2010-06-30
POS.	MODIFICATIONS	SIGNATURE	REQUEST
MATERIAL	MODEL	SCALE	EUROPEAN METHOD
TREATMENT	WEIGHT	DESIGN USERS	REPLACES
DESIGN OWNER	DRN	CF	CHD
ABF	DATE 2010-06-30	APPR	2D ONLY X
TITLE		Wiring Diagram	
NUMBER		208 8887	
REV		A	
SHEET		1/1	

208 8887-00  
VARIANT NUMBER



REV A  
SHEET 1/1