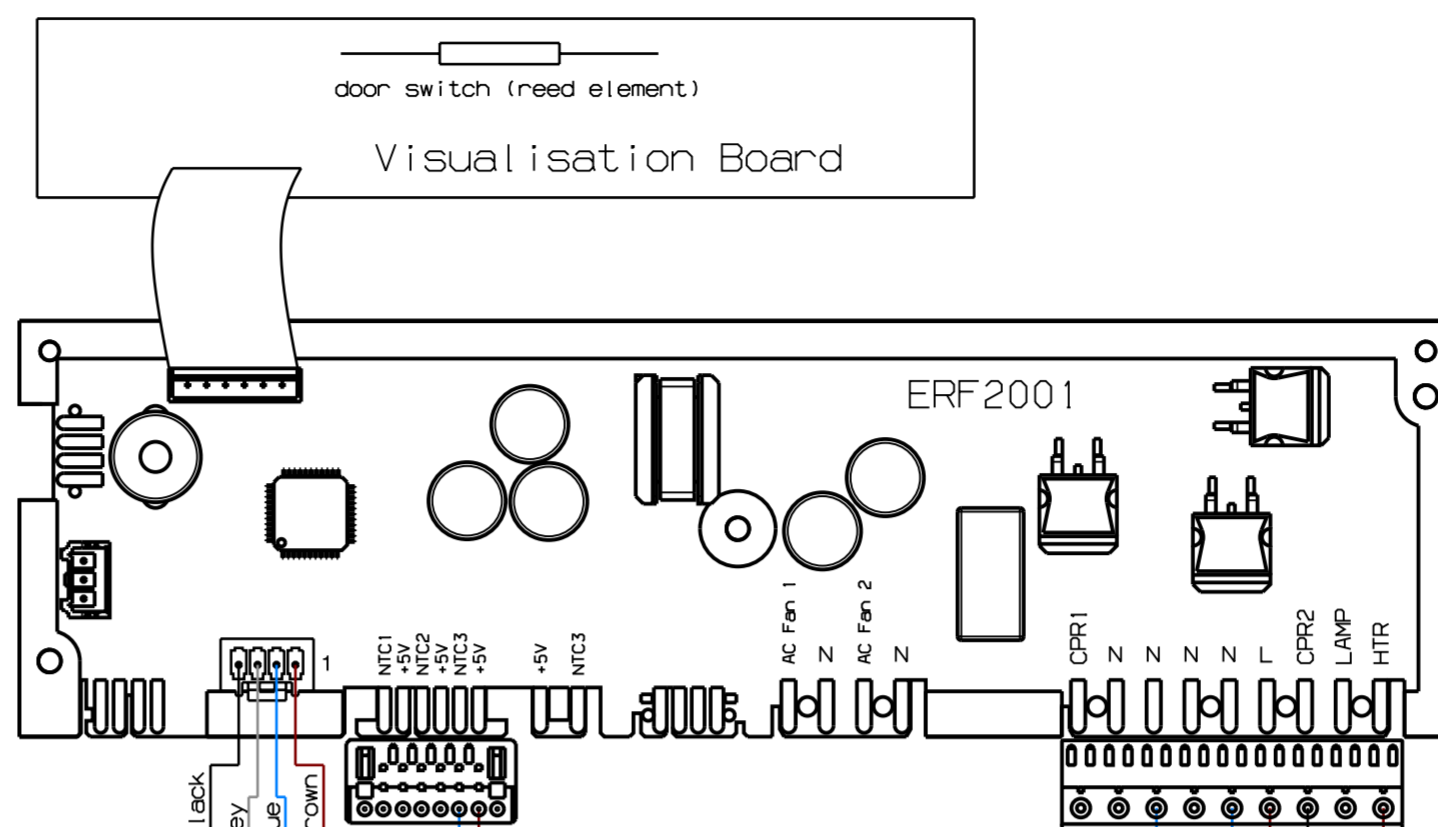


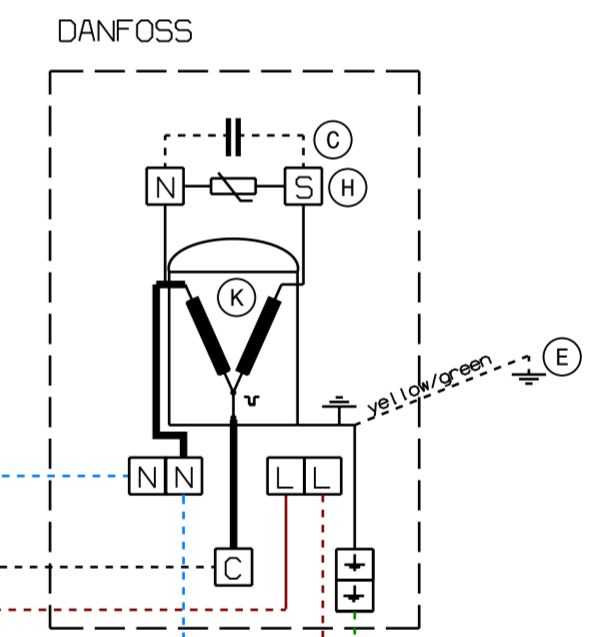
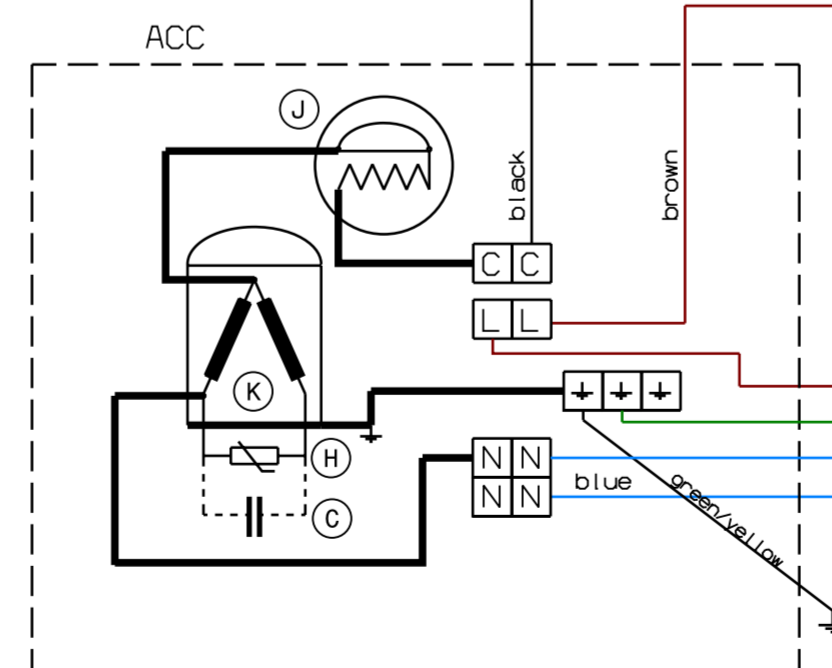
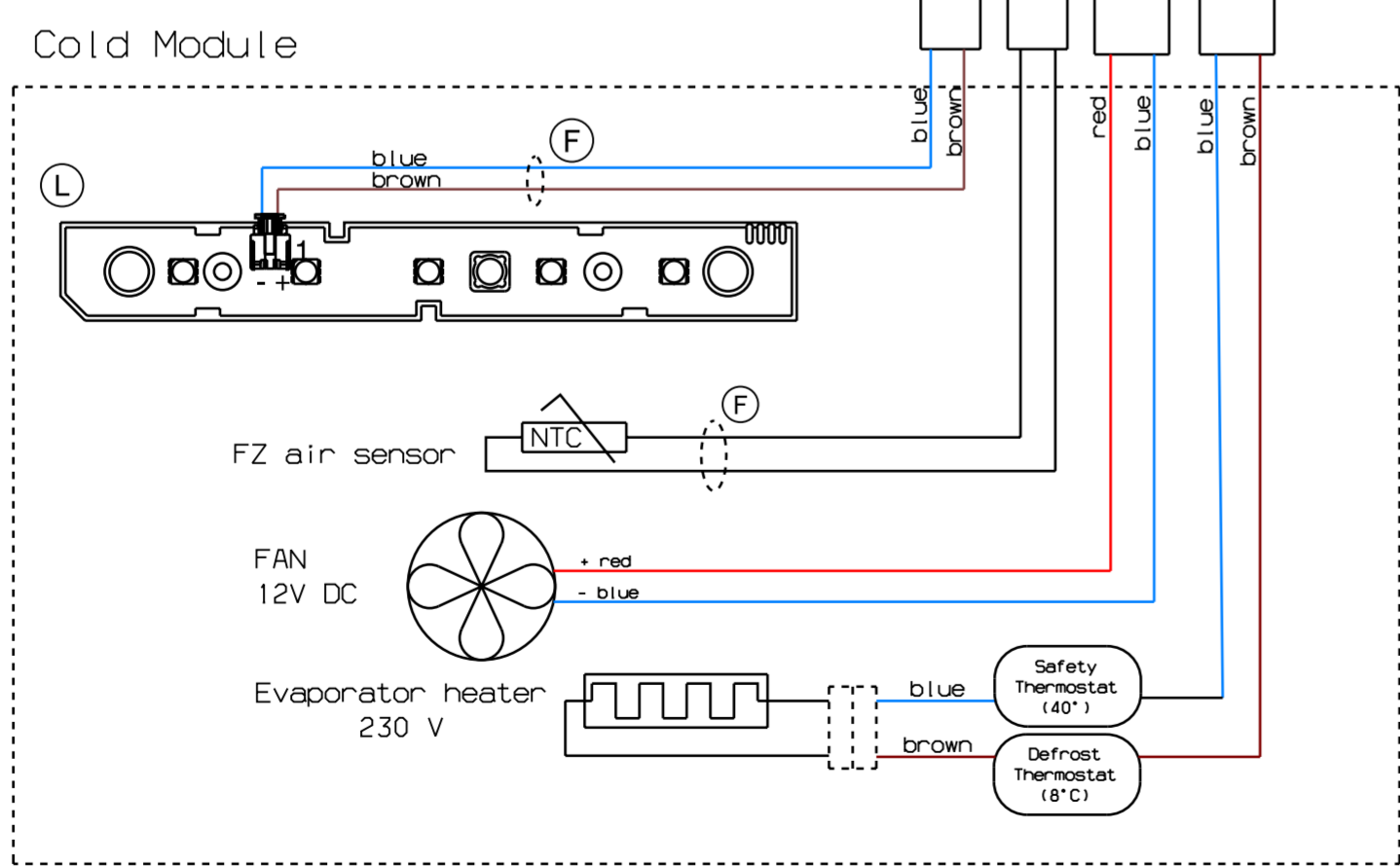
This drawing contains confidential information and is the property of Electrolux, without whose permission it may not be copied, shown or handed to a third party or otherwise used and it is to be returned promptly upon request to the design owner, who is responsible for the drawing.

Items shown in this drawing must not contain substances that are banned according to Directive, 2002/95/EC, the RoHS Directive (Lead, Cadmium, Mercury, hexavalent Chromium, PBB and PBDE), or substances classified as "Banned" or "Restricted" according to the Electrolux Restricted Materials List.

GENERAL TOLERANCES  
 ANGLES  
 LENGTHS AND DIAMETERS



- ⓕ Flexible Cord
- ⓔ Earth Cabinet
- Ⓚ Compressor
- ⓗ Starting Device
- Ⓒ Run Capacitor
- Ⓝ Motor Protector
- Ⓛ 12V LED Light



B	TM 10667: Moved sensor into cold module	CF	-	2010-10-07		
A	TM 10426: New drawing	CF		2010-08-16		
POS.	MODIFICATIONS		SIGNATURE	REQUEST	DATE	
MATERIAL		MODEL	SCALE	EUROPEAN METHOD		
TREATMENT		WEIGHT	DESIGN USERS	REPLACES		
DESIGN OWNER		DRN	CF	CHD		2D ONLY
ABF		DATE 2010-08-16	APPR	EXACT 3D	CONCEPT 3D	
TITLE			Wiring Diagram			
NUMBER			208 8883			
REV			B			
SHEET			1/1			

208 8883-00  
 VARIANT NUMBER

