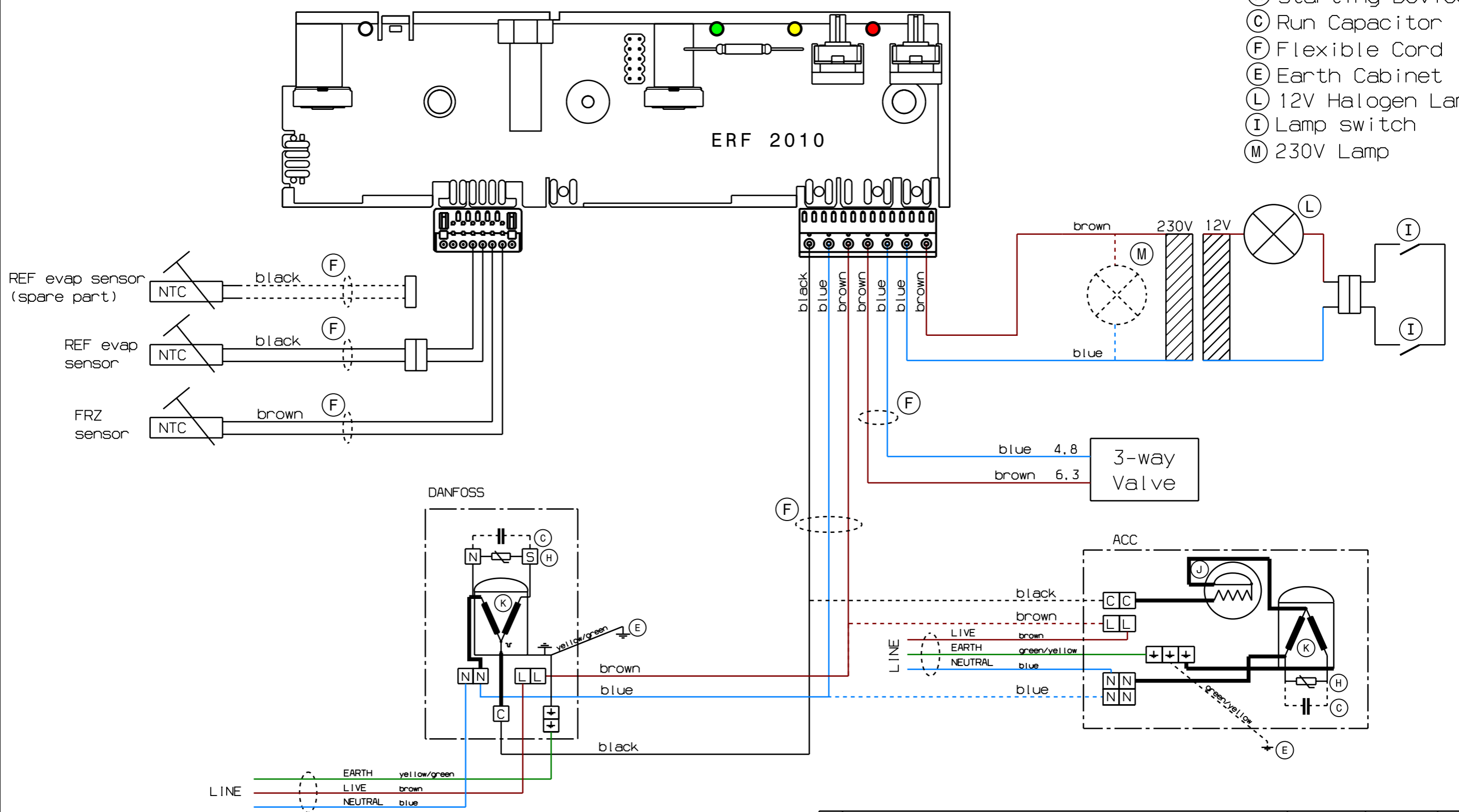


Components reflected by this drawing must not contain substances or coatings of any of the substances banned according to Dir. 2002/95/EC, RoHS, or substances on the REACH candidate list published on <http://echa.europa.eu/>. They have to conform in all respects with Electrolux Restricted Materials List as published on www.electrolux.com. Upon request documentation demonstrating compliance with these requirements shall be immediately provided by the supplier to Electrolux.

GENERAL TOLERANCES
 ANGLES
 LENGTHS AND DIAMETERS
 ISO 2768 - m

Dimensions, data and characteristics, which are subjected to Statistic Process Control (SPC) are marked with

- (K) Compressor
- (H) Starting Device
- (C) Run Capacitor
- (F) Flexible Cord
- (E) Earth Cabinet
- (L) 12V Halogen Lamp
- (I) Lamp switch
- (M) 230V Lamp



B	TM 10905: Corrected sensor connections.	CF		2010-12-06
A	TM 10113: New drawing	CF		2010-02-12
POS.	MODIFICATIONS	SIGNATURE	REQUEST	DATE
MATERIAL		MODEL		SCALE
TREATMENT		DESIGN USERS		REPLACES
		ABF		DERIVED FROM
DESIGN OWNER		DRN		CF
ABF		DATE		2010-02-12
		CHD		
		2D ONLY		X
		CONCEPT 3D		
		EXACT 3D		
		TITLE		Wiring, Diagram
				Kopplingschema
		NUMBER		208 8762
		REV		B
		SHEET		1 / 1

Any approved discrepancy will be documented in the Inspection report.
 Eventuella godkända avvikelser dokumenteras i Kontrollrapporten.

208 8762-00
 Variant No.

