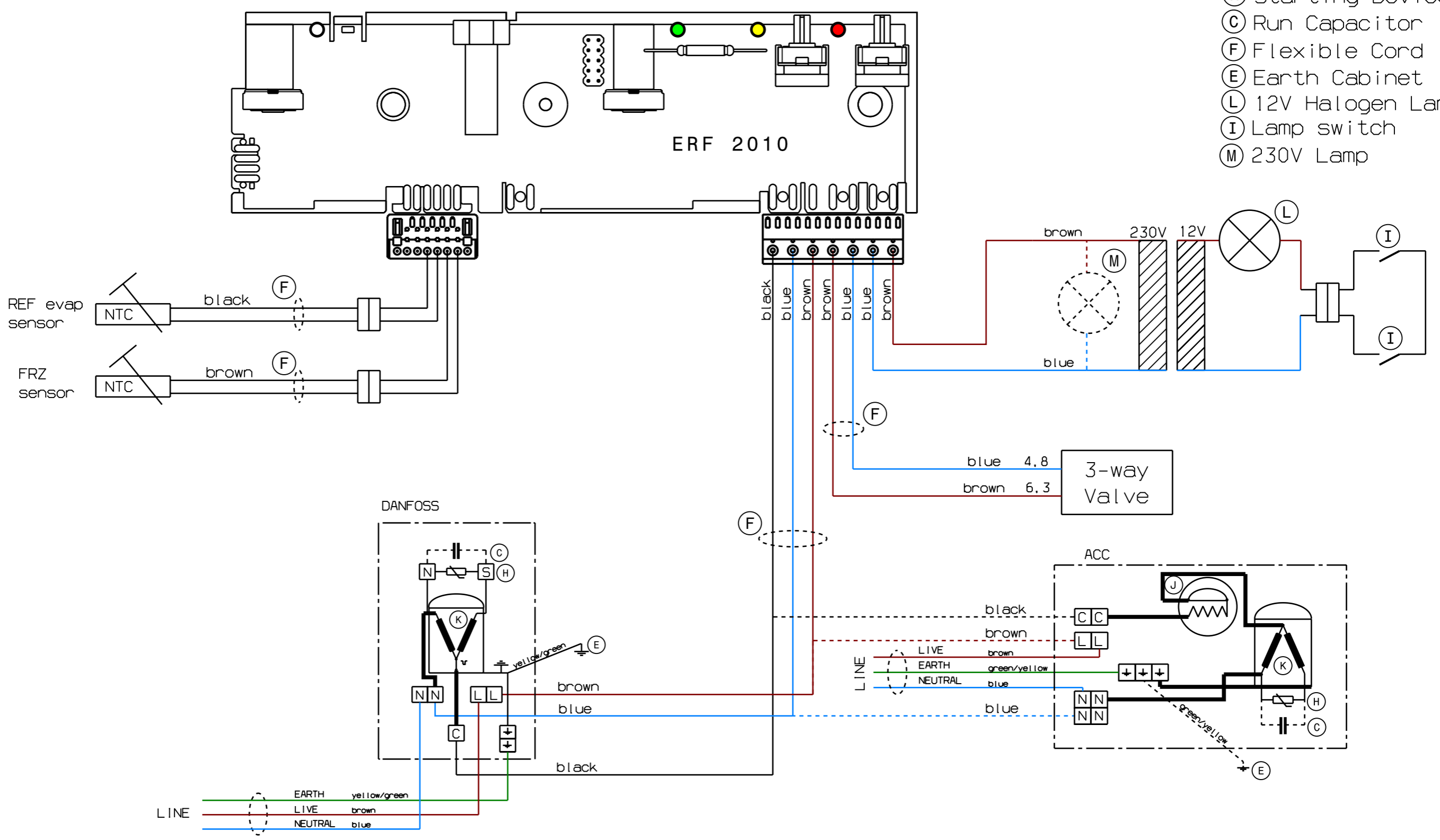


This drawing contains confidential information and is the property of Electrolux, without whose permission it may not be copied, shown or handed to a third party or otherwise used and it is to be returned promptly upon request to the design owner, who is responsible for the drawing.

Components reflected by this drawing must not contain substances or coatings of any of the substances banned according to Dir. 2002/95/EC, RoHS, or substances on the REACH candidate list published on <http://echa.europa.eu/>. They have to conform in all respects with Electrolux Restricted Materials List as published on www.electrolux.com. Upon request documentation demonstrating compliance with these requirements shall be immediately provided by the supplier to Electrolux.

Dimensions, data and characteristics, which are subjected to Statistic Process Control (SPC) are marked with

- (K) Compressor
- (H) Starting Device
- (C) Run Capacitor
- (F) Flexible Cord
- (E) Earth Cabinet
- (L) 12V Halogen Lamp
- (I) Lamp switch
- (M) 230V Lamp



LINE
 EARTH yellow/green
 LIVE brown
 NEUTRAL blue

A TM 10113: New drawing				2010-02-12	
POS.		MODIFICATIONS		SIGNATURE	REQUEST
MATERIAL		MODEL		SCALE	
TREATMENT		WEIGHT		REPLACES	
DESIGN OWNER		DRN		DESIGNED BY	
ABF		CF		ABF	
DATE		2010-02-12		DERIVED FROM	
APPR		CHD		SUPPLY SPECIFICATIONS	
CONCEPT 3D		EXACT 3D		TITLE	
EXACT 3D		X		Wiring, Diagram	
TITLE		Kopplingschema		NUMBER	
208		8762		REV	
SHEET		1/1		A	

Any approved discrepancy will be documented in the Inspection report.
 Eventuella godkända avvikelser dokumenteras i Kontrollrapporten.

GENERAL TOLERANCES
 ANGLES
 LENGTHS AND DIAMETERS
 ISO 2768 - m