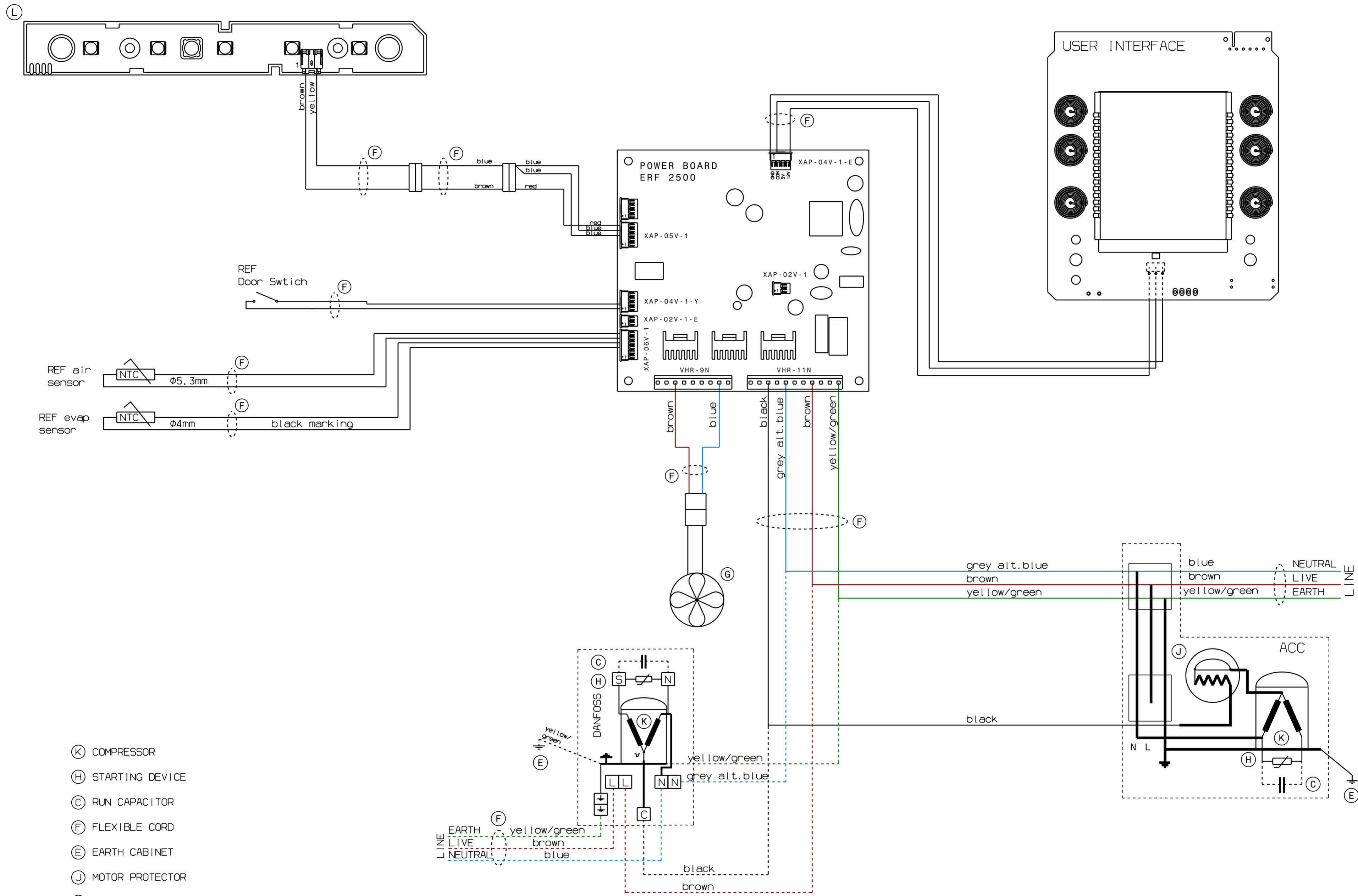


This drawing contains confidential information and is the property of Electrolux, without whose permission it may not be copied, shown or handed to a third party or otherwise used and it is to be returned promptly upon request to the design owner, who is responsible for the drawing.

Items shown in this drawing must not contain substances that are banned according to Directive, 2002/95/EC, the RoHS Directive (Lead, Cadmium, Mercury, hexavalent Chromium, PBB and PBDE), or substances classified as "Banned" or "Restricted" according to the Electrolux Restricted Materials List.



- (K) COMPRESSOR
- (H) STARTING DEVICE
- (C) RUN CAPACITOR
- (F) FLEXIBLE CORD
- (E) EARTH CABINET
- (J) MOTOR PROTECTOR
- (G) DME FAN 230V
- (L) 12V LED LIGHT

A TM 09653: New drawing		CF	2010-01-26		
POS.	MODIFICATIONS		SIGNATURE	REQUEST	DATE
MATERIAL	MODEL	SCALE	EUROPEAN METHOD		
TREATMENT	WEIGHT	DESIGN USERS	REPLACES	DERIVED FROM	
DESIGN OWNER	DRN	CF	CHD	2D ONLY	X
ABF	DATE 2010-01-26	APPR	CONCEPT 3D	EXACT 3D	
TITLE			Wiring Diagram		
NUMBER			ELUX DME Long Door		
Variant No.			208 8689		
REV			A		
SHEET			1/1		

208 8689-00
Variant No.

