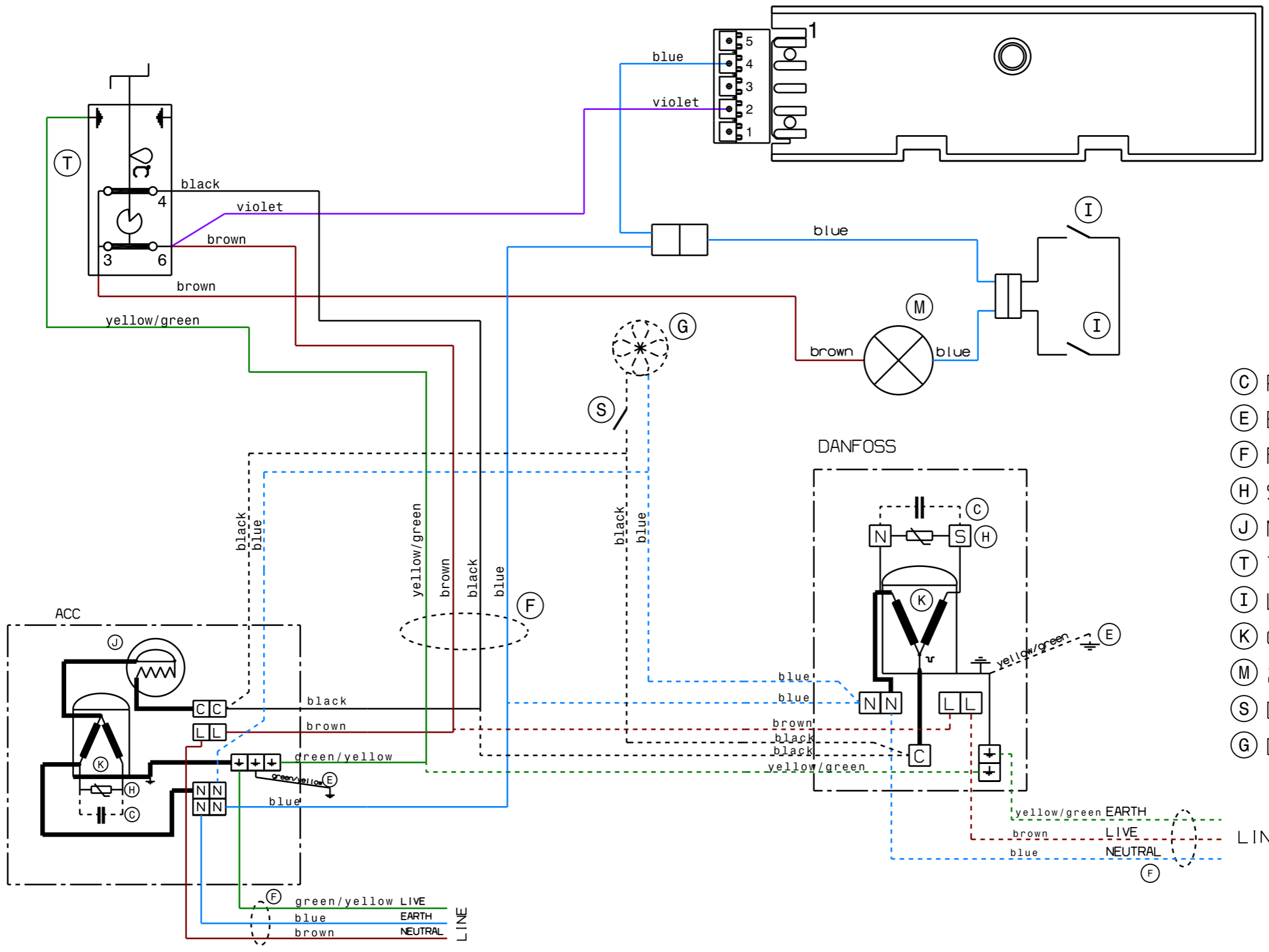


This drawing contains confidential information and is the property of Electrolux, without whose permission it may not be copied, shown or handed to a third party or otherwise used and it is to be returned promptly upon request to the design owner, who is responsible for the drawing.

Items shown in this drawing must not contain substances that are banned according to Directive, 2002/95/EC, the RoHS Directive (Lead, Cadmium, Mercury, hexavalent Chromium, PBB and PBDE), or substances classified as "Banned" or "Restricted" according to the Electrolux Restricted Materials List.



GENERAL TOLERANCES
ANGLES
LENGTHS AND DIAMETERS



- Ⓢ Run Capacitor
- ⓔ Earth Cabinet
- ⓕ Flexible Cord
- ⓗ Starting Device
- ⓙ Motor Protector
- Ⓣ Thermostat
- Ⓢ Lamp Switch
- Ⓚ Compressor
- Ⓜ 230V LAMP
- Ⓢ DAC fan switch, optional
- ⓖ DAC fan, optional

A TM 09082: New drawing		CF	2008-02-24
POS.	MODIFICATIONS		DATE
MATERIAL	MODEL	SCALE	EUROPEAN METHOD
TREATMENT	WEIGHT	DESIGN USERS ABF	REPLACES
DESIGN OWNER ABF	DRN CF	CHD	DERIVED FROM
DATE 2008-02-24	APPR	2D ONLY X	SUPPLY SPECIFICATIONS 790 55 16 01/A
CONCEPT 3D		TITLE Wiring, Schematics	
EXACT 3D		Kopplingschema	
208 7976-00 Variant No.		NUMBER 208 7976	REV A
		SHEET 1/1	