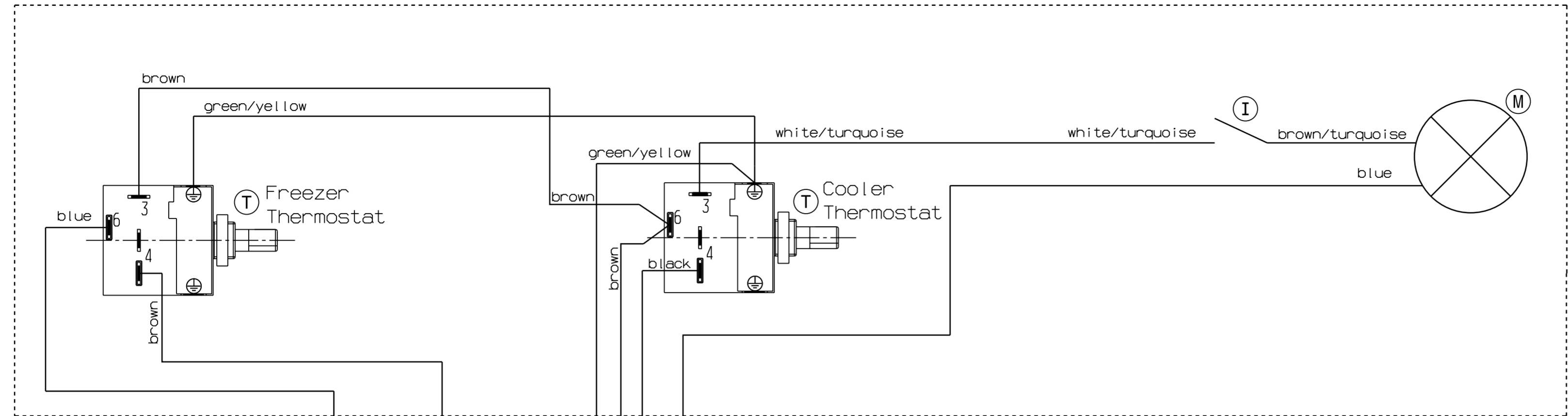
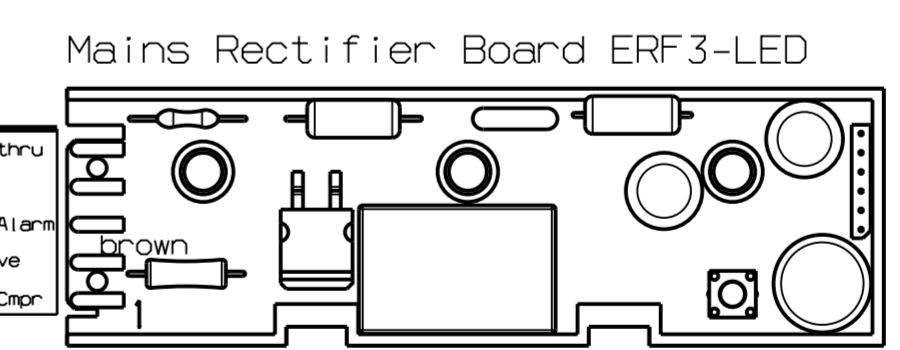
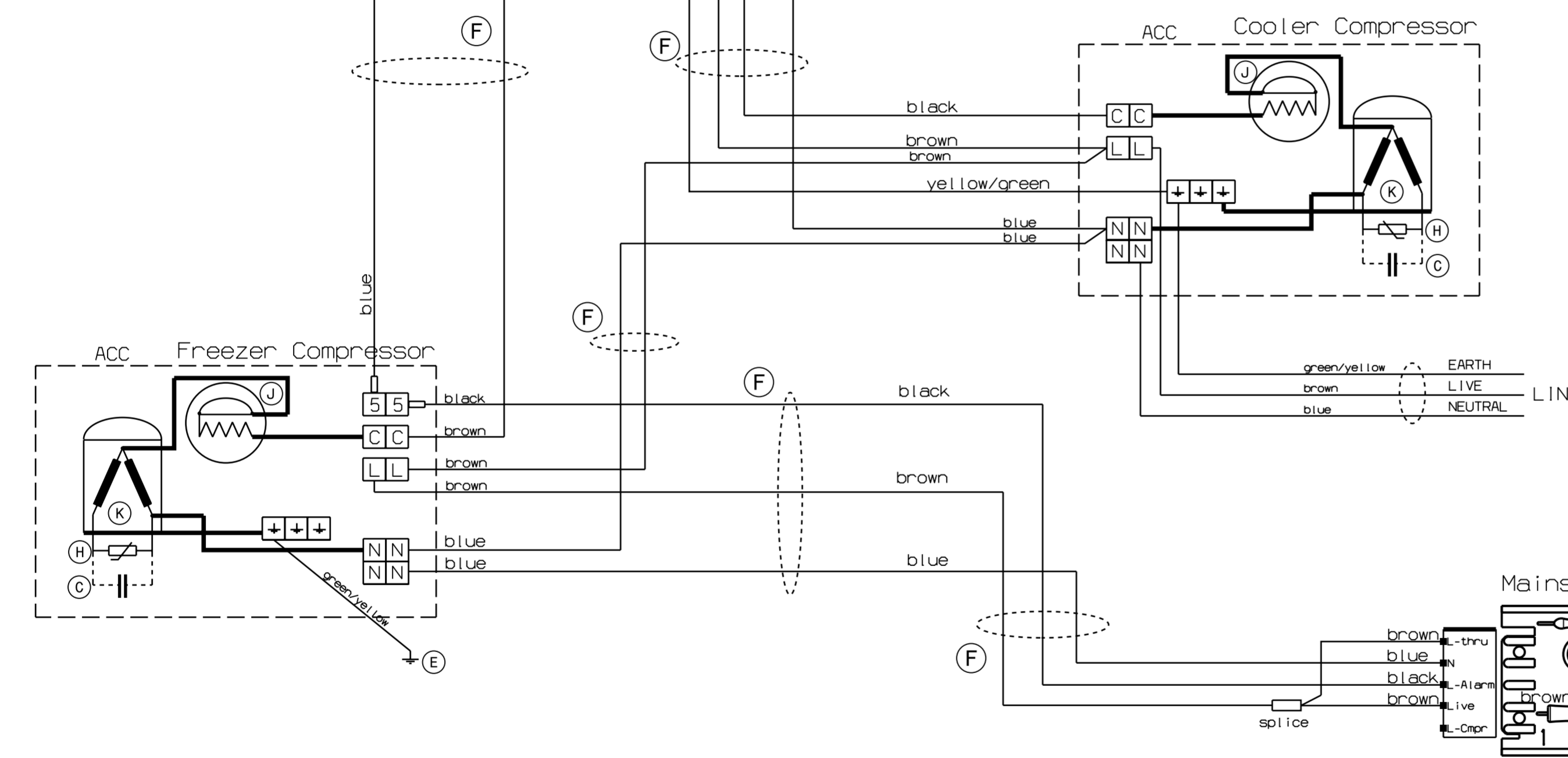


This drawing contains confidential information and is the property of Electrolux, without whose permission it may not be copied, shown or handed to a third party or otherwise used and it is to be returned promptly upon request to the design owner, who is responsible for the drawing.

Items shown in this drawing must not contain substances that are banned according to Directive, 2002/95/EC, the RoHS Directive (Lead, Cadmium, Mercury, hexavalent Chromium, PBB and PBDE), or substances classified as "Banned" or "Restricted" according to the Electrolux Restricted Materials List.



- (K) Compressor
- (C) Run Capacitor
- (J) Motor Protector
- (H) Starting Device
- (F) Flexible Cord
- (E) Earth Cabinet
- (T) Thermostat
- (M) std. 230V Lamp
- (I) Lamp Switch



A TM 08451: new drawing		CF	-	2008-10-09
POS.	MODIFICATIONS		SIGNATURE	REQUEST
MATERIAL	MODEL		SCALE	EUROPEAN METHOD
TREATMENT	DESIGN USERS		REPLACES	
WEIGHT	ABF		DERIVED FROM	
DESIGN OWNER	DRN	CF	CHD	2D ONLY
ABF	DATE 2008-10-09	APP	CONCEPT 3D	EXACT 3D
TITLE				REV
Wiring, Diagram				A
Kopplingschema				
NUMBER				SHEET
208 7635				1/1

