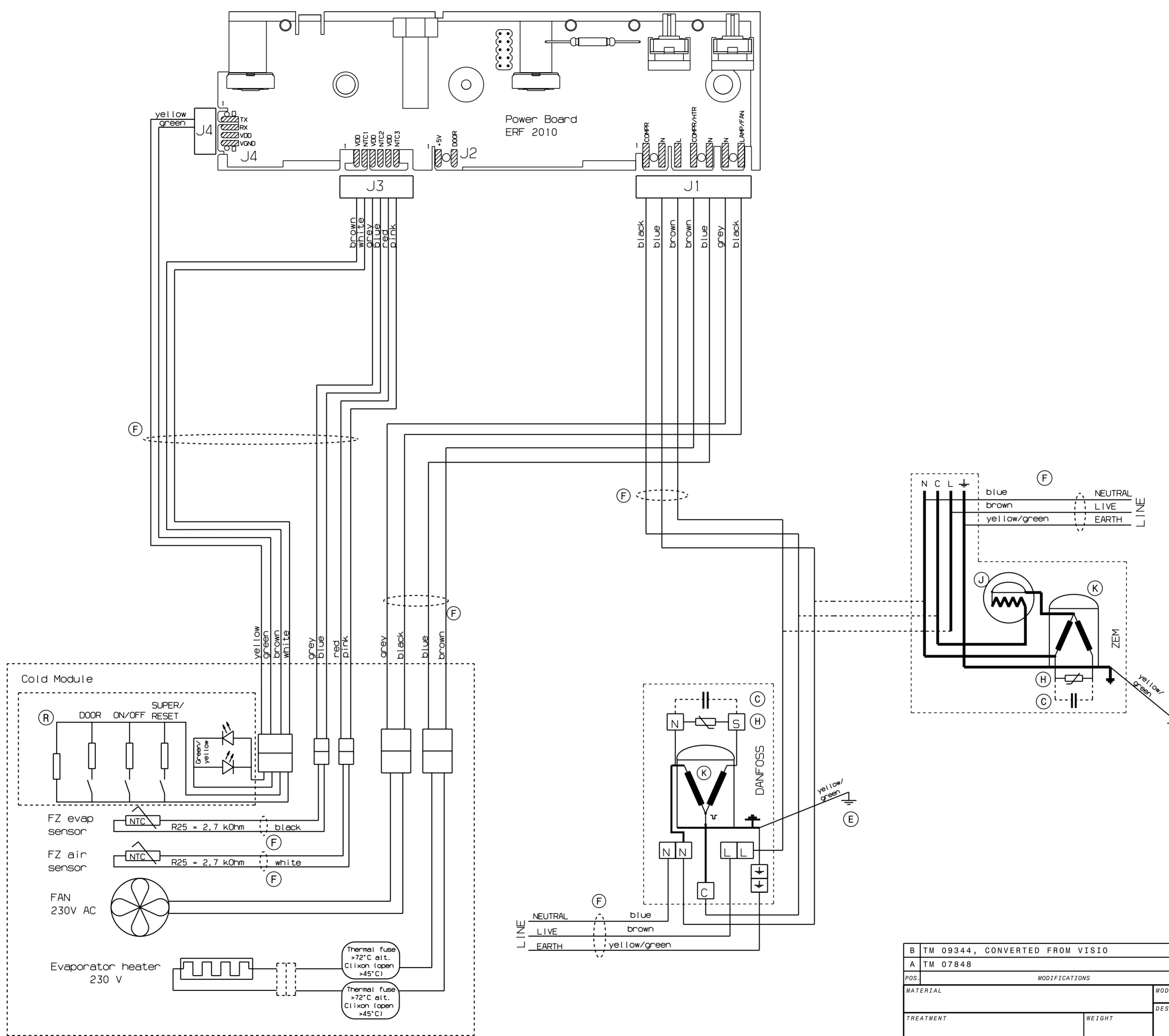
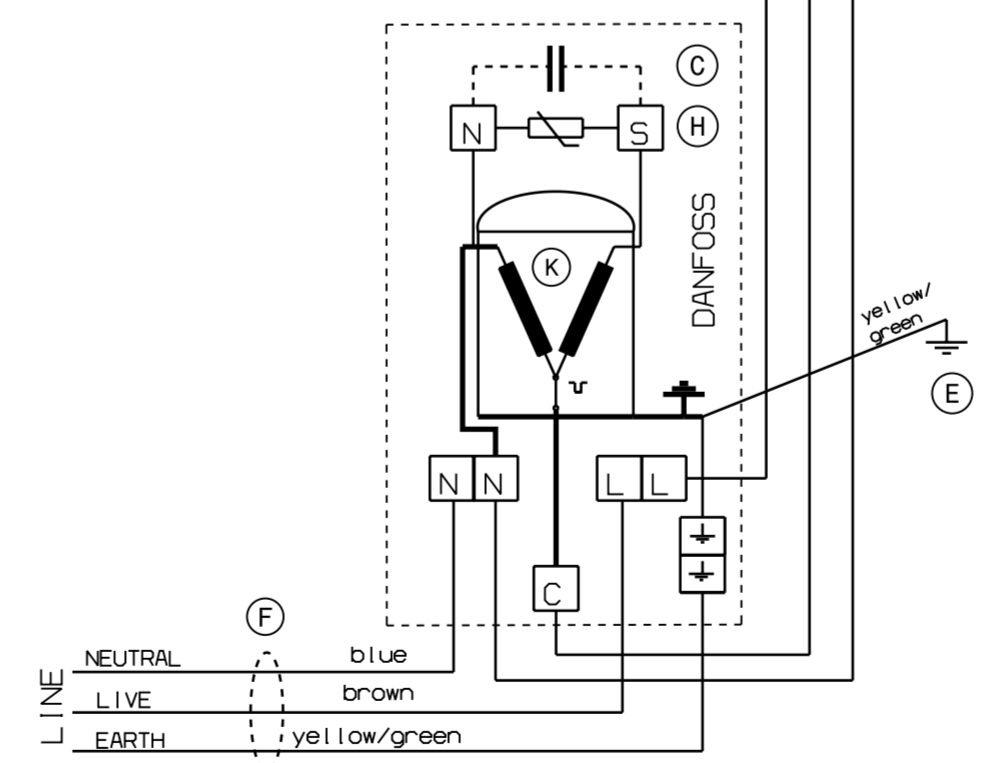
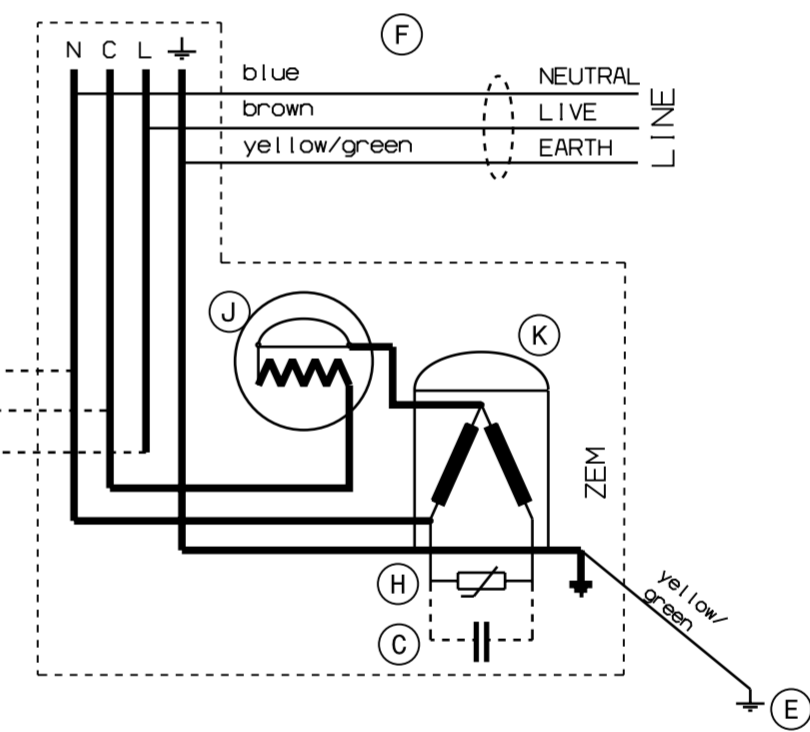


This drawing contains confidential information and is the property of Electrolux, without whose permission it may not be copied, shown or handed to a third party or otherwise used and it is to be returned promptly upon request to the design owner, who is responsible for the drawing.

Items shown in this drawing must not contain substances that are banned according to Directive, 2002/95/EC, the RoHS Directive (Lead, Cadmium, Mercury, hexavalent Chromium, PBB and PBDE), or substances classified as "Banned" or "Restricted" according to the Electrolux Restricted Materials List.



- (E) EARTH CABINET
- (F) FLEXIBLE CORD
- (K) COMPRESSOR
- (J) MOTOR PROTECTOR
- (H) STARTING DEVICE
- (C) RUN CAPACITOR
- (R) POTTED REED SENSOR



B	TM 09344, CONVERTED FROM VISIO	KONS/CF	ABF	2009-06-24
A	TM 07848	CF		
POS.	MODIFICATIONS	SIGNATURE	REQUEST	DATE
MATERIAL	MODEL	SCALE	EUROPEAN METHOD	
TREATMENT	WEIGHT	DESIGN USERS	REPLACES	
DESIGN OWNER	DRN	CF	CHD	
ABF	DATE 2007-11-20	APPR	EXACT 3D	CONCEPT 3D
TITLE		Wiring diagram		
NUMBER		Kopplungsschema		
208 75 59		REV B		
Variant No.		SHEET 1/1		

Internal Control, No Frost

208 75 59-00  
Variant No.

