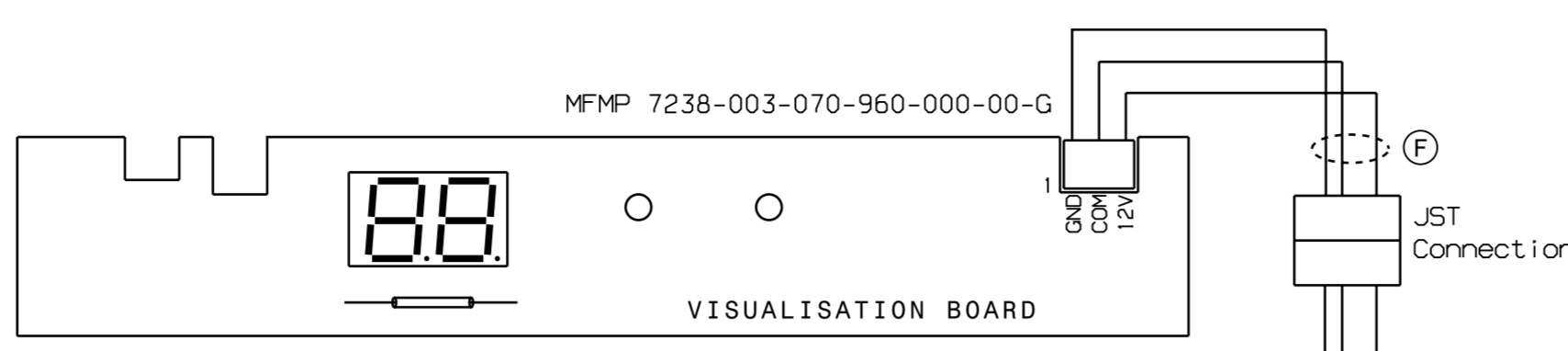


This drawing contains confidential information and is the property of Electrolux, without whose permission it may not be copied, shown or handed to a third party or otherwise used and it is to be returned promptly upon request to the design owner, who is responsible for the drawing.

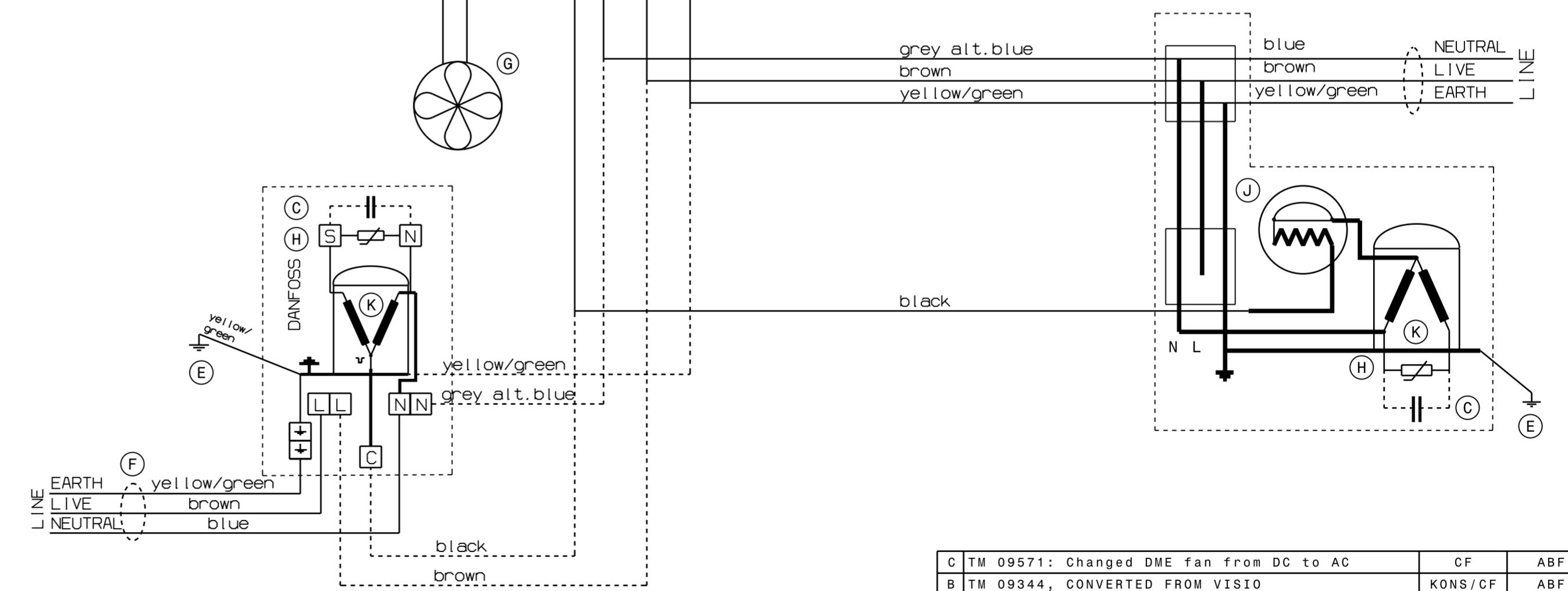
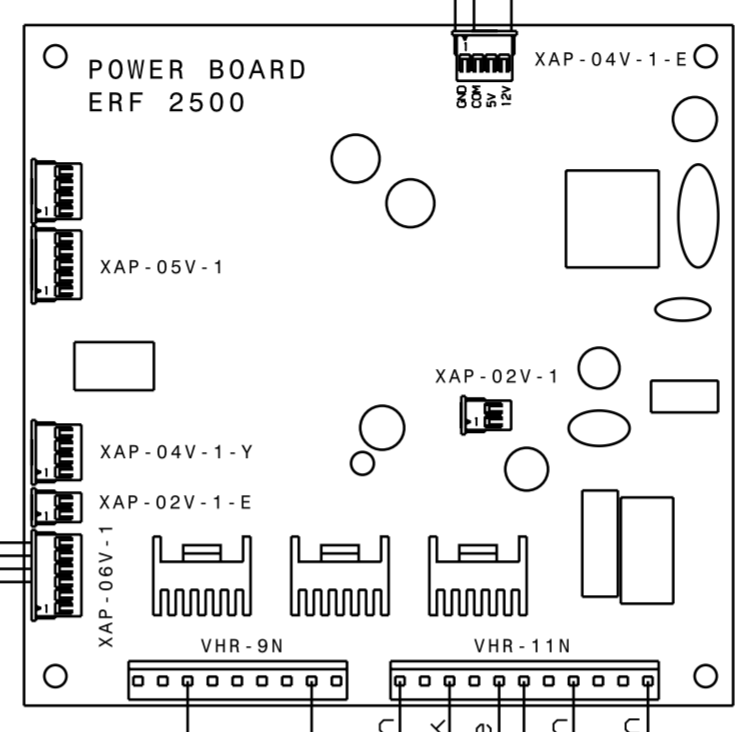
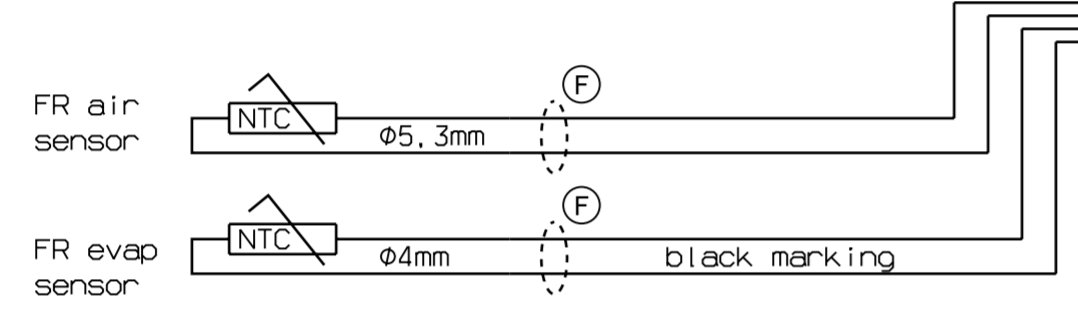
Items shown in this drawing must not contain substances that are banned according to Directive, 2002/95/EC, the RoHS Directive (Lead, Cadmium, Mercury, hexavalent Chromium, PBB and PBDE), or substances classified as "Banned" or "Restricted" according to the Electrolux Restricted Materials List.



GENERAL TOLERANCES  
ANGLES  
LENGTHS AND DIAMETERS



- (K) COMPRESSOR
- (H) STARTING DEVICE
- (C) RUN CAPACITOR
- (F) FLEXIBLE CORD
- (E) EARTH CABINET
- (J) MOTOR PROTECTOR
- (M) 230V LAMP
- (L) 12V LAMP
- (G) DME FAN 230V
- (I) LAMP SWITCH



C	TM 09571: Changed DME fan from DC to AC	CF	ABF	2009-10-30	
B	TM 09344, CONVERTED FROM VISIO	KONS/CF	ABF	2009-06-24	
A	TM 07694	CF			
POS.	MODIFICATIONS	SIGNATURE	REQUEST	DATE	
MATERIAL	MODEL	SCALE	EUROPEAN METHOD		
TREATMENT	WEIGHT	DESIGN USERS	REPLACES		
		DERIVED FROM			
DESIGN OWNER	DRN	CF	CHD	2D ONLY	X
ABF	DATE 2007-08-28	APPR		CONCEPT 3D	
				EXACT 3D	
TITLE		Wiring Diagram			
NUMBER		Kopplingschema			
208 72 65-00		REV C			
Variant No.		SHEET 1/1			

