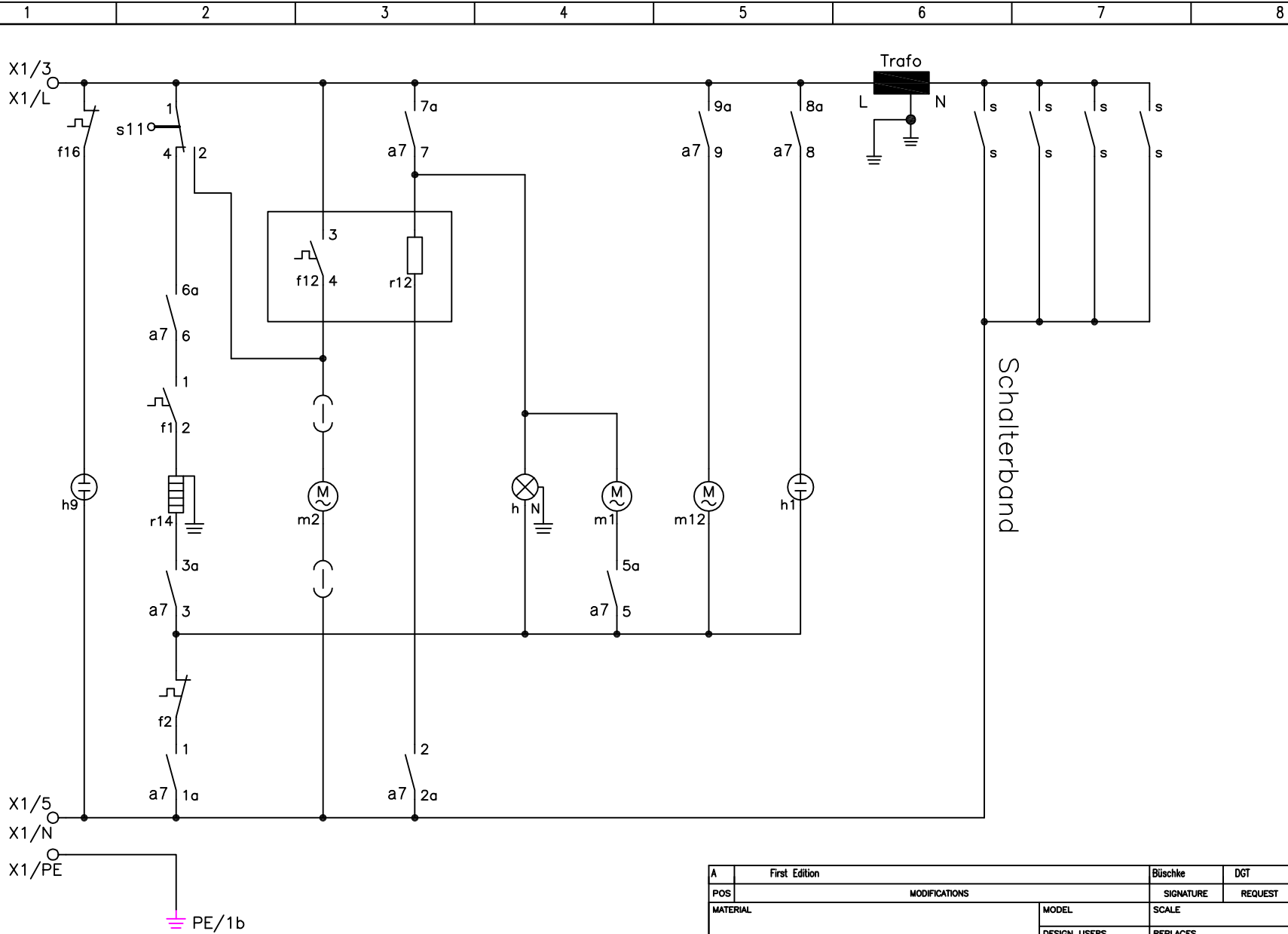


Items shown in this drawing must not contain substances that are banned according to Directive, 2002/95/EC, the RoHS Directive (Lead, Cadmium, Mercury, hexavalent Chromium, PBB and PBDE), or substances classified as "Banned" or "Restricted" according to the Electrolux Restricted Materials List.

This drawing contains confidential information and is the property of Electrolux, without whose permission it may not be copied, shown or handed to a third party or otherwise used and it is to be returned promptly, together with this drawing, to the design owner, who is responsible for the drawing.

GENERAL TOLERANCES
ANGLES AND DIAMETERS
LENGTHS AND DIAMETERS

ECSCAD A3



VARIANT NUMBER	REPLACED NUMBER	POS.	MODEL	DESIGN USERS	CHANGES FROM THE BASE NUMBER

A		First Edition		Büschke	DGT	2007-04-05
POS		MODIFICATIONS		SIGNATURE	REQUEST	DATE
MATERIAL			MODEL		SCALE	
TREATMENT			DESIGN USERS		REPLACES No	
DESIGN OWNER			DRN		DERIVED FROM No	
DGT			DATE 2007-04-05		SUPPLY SPECIFICATIONS No	
CHD Büschke			2D ONLY			
APPR Büschke			CONCEPT 3D			
EXACT 3D						
TITLE circuit diagram						
Schaltplan						
NUMBER 315 8795					REV A	
					SHEET	1/1

